



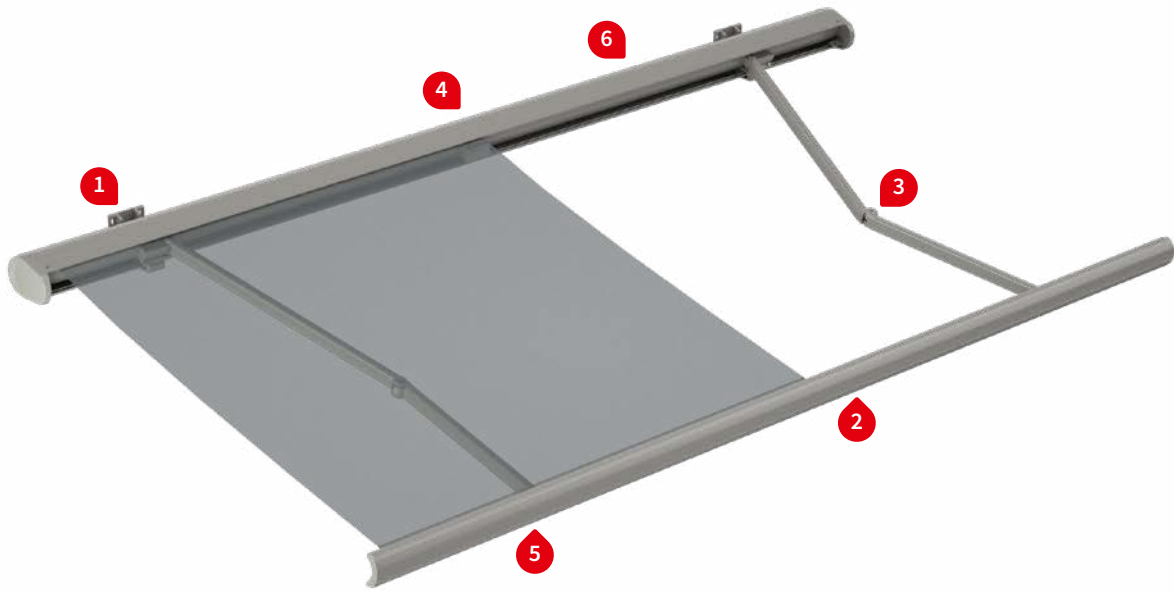
Cassette awning

markilux 5010

The trendy cassette awning – slim, strong and simply chic.

Product Characteristics

Wind resistance class 1 | 2 (depending on size)
 Beaufort 4 → 20–27 km/h → 5,5–7,4 m/s | Beaufort 5 → 28–37 km/h → 7,5–10,4 m/s



1) face fixture



1) top fixture



2) shadeplus¹⁾



2) shadeplus, during extension¹⁾



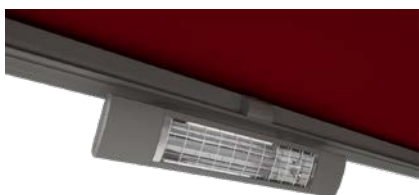
3) twin steel-link chain, corrosion protected



3) bionic tendon made of high-tech fibres for optimum power transference¹⁾



4) infrared heater attached to the cassette¹⁾



5) arm connection to the front profile, decorative cap in polished chrome



6) wall sealing profile¹⁾, front profile end cap in polished chrome



1) Optional accessories

Product Characteristics

Description

- ovally shaped cassette awning in a slender design
- extremely robust construction, ideally suited for shading large areas

Special features

- option of a drop valance up to a projection of 300 cm – vertical protection against low-lying sun and inquisitive glances integrated into the front profile, can be operated manually
- option of a silentec motor – motor noise is appreciably reduced
- the awning frame colour and end cap options can be freely combined (front profile end caps, decorative caps at the elbow joint and for the front profile connectors)

Dimensions

- cassette in the standard version: depth 218 mm, height 151 mm cassette with drop valance: depth 293 mm, height 151 mm (without brackets) at a projection of 300 cm
- single unit: minimum width 187 cm at the smallest projection of 150 cm, maximum width 700 cm at the largest projection of 400 cm
- also available as a coupled unit

Roller tube and lateral bearings

- round roller tube Ø 85 mm with keyway, galvanised steel – excellent stability, ensures near perfect cover performance even at the largest widths
- the cassette side caps are made of die-cast aluminium, powder coated

Awning profiles

- extruded aluminium, in façade quality, powder coated
- cassette in two parts with integrated cover profile – offering optimum protection of the awning cover against the weather
- semi-circular front profile with integrated gutter

Folding arms

- profiles in extruded aluminium, in façade quality, powder coated
- moving parts made of drop-forged aluminium – the arms are therefore extremely fracture resistant
- pivot bolts in stainless steel run in Teflon-coated bronze bushes – practically maintenance free, virtually silent and extremely hard wearing
- power transference via corrosion-protected twin steel-link chains at the elbow joint, optionally with innovative bionic tendon made of high tensile, high-tech fibres – low in friction, noiseless, insensitive to corrosion and UV resistant

End caps

- the front profile end caps are made of high-quality plastic, powder coated or with a polished chrome finish, with water drainage holes
- the decorative caps for the arm to front profile connectors are made of high-quality plastic, powder coated or with a polished chrome finish
- the decorative caps at the elbow joint are made of high-quality plastic, in black or white (depending on the awning colour) or with a polished chrome finish

Fixture brackets

- face fixture, top fixture, eaves fixture, bottom fixture
- extruded aluminium, powder coated
- pitch range 5°–35° or 36°–70°, infinitely adjustable
- spacer plates, stand-off brackets and other accessories are available

01

02

03

04

05

06

07

08

09

10

11

12

13

14

15

16

17

01 **Frame and end cap colours**

markilux frame colours without surcharge

02 traffic white, RAL 9016



metallic aluminium, RAL 9006



grey brown, similar to RAL 8019

07 off-white textured finish, 5233 ¹⁾stone grey metallic, 5215 ¹⁾anthracite metallic, 5204 ¹⁾12 havana brown textured finish, 5229 ¹⁾17 off-white textured finish, 5233 ¹⁾
front profile end caps in polished chromestone grey metallic, 5215 ¹⁾
front profile end caps in polished chromeanthracite metallic, 5204 ¹⁾
front profile end caps in polished chrome

Combination options – possible in any frame colour.

Non-standard powder-coated finish






Bespoke frame colours incur a surcharge – matt, metallic, finely textured and pearl finishes as well as other colour ranges (DB, Tiger etc.) on request. All frame colours are available at a surcharge with enhanced corrosion protection.

Colours may differ slightly from those depicted in both hue and finish.

1) textured finish

Dimensions and configuration options

Single unit

Order dimensions	Awning width										Minimum widths				
	250	300	350	400	450	500	550	600	650	700 ²⁾	Motor			Crank handle	
	187 250	251 300	301 350	351 400	401 450	451 500	501 550	551 600	601 650	651 700					
H	150	3)									200	187	—	200	187
	200	3)									250	237	—	250	237
	250	—	3)								300	287	—	300	287
	300	—	—	3)				4)	4)		350	337	—	350	337
	350 ¹⁾	—	—	—	3)				2) 3)		400	387	644	400	387
	400 ^{1) 2)}	—	—	—	—	3) 5)	5)	5)	—	—	450	437	694	—	—

Dimensions in cm

1) = drop valance not available


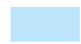




2) = only available with motor drive (surcharge)

3) = please note the minimum widths!

4) = in the case of shadeplus (on request):
3 folding arms, 4 brackets
and 2 rolltex bearings (surcharge)

5) = meets wind resistance class 1, all other sizes meet wind resistance class 2

H = projection

 = 2 folding arms
2 brackets = 2 folding arms
3 brackets = 2 folding arms, 3 brackets
1 rolltex bearing = 3 folding arms, 4 brackets
2 rolltex bearing = 2 standard arms = 2 bespoke arms
(surcharge) = 3 standard arms

Operation

	standard	optional
crank handle	✓	—
spring-assisted crank handle	—	✓
hard-wired motor	—	✓
silentec motor (optionally with an external io / RTS receiver) ¹⁾	—	✓
radio-controlled motor io, 868 MHz	—	✓
radio-controlled motor RTS, 433 MHz	—	✓
868 MHz radio-controlled motor io with manual override ¹⁾	—	✓

1) For awnings with a maximum of 2 arms

Coupled awning (motor drive)¹⁾

2 fields, 1 motor, maximum width 1390 cm
3 fields, 1 motor, maximum width 1800 cm
maximum projection (depending on the width) 400 cm
junction roller
optionally with a one-piece cover (maximum of 2 fields / projection 350 cm / 15° pitch – without internal cover profile, drop valance not available)

1) N.B! Important background information can be found in the chapter “General Information”, in the section “Coupled Awnings”

Awning cover

fabric pattern no.	standard	optional
sunvas 300.. – 315..	✓	—
sunsilk 324.. / 328.. / 369..	✓	—
sunbow 411.. - 427..	✓	—
smart art 340..	—	✓
perla FR 371.. / 372..	—	✓
valance, height 20 cm	—	✓

Drop valance^{1) 2)}

	standard	optional
height 210 cm		
maximum projection 300 cm ³⁾		
crank handle	✓	—
hard-wired motor	—	—
radio-controlled motor io, 868MHz	—	—
radio-controlled motor RTS, 433MHz	—	—
fabric pattern sunvas / sunsilk / sunbow / transolair / vuscreen Alu / Serge 600		

1) In the case of coupled awnings (2 fields) shadeplus is driven with two separate gear boxes / motor (outside left and right)

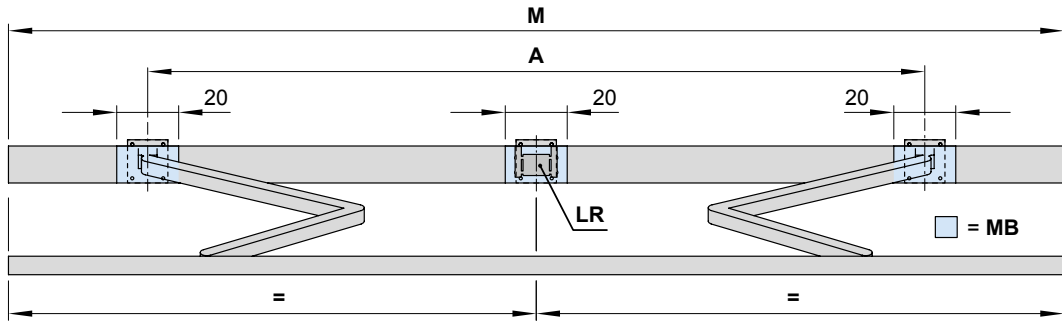
2) Only available in plain seamless fabrics (oversized, fabric width > 120 cm) or in plains with a horizontal joint (fabric width 120 cm).

3) Dimensions (581–650) × 300 cm on request

01	Optional accessories	Fixture options	
	shadeplus, manual	face fixture brackets 150 mm, 5°–35°	77921.
02	folding-arm technology with bionic tendon	face fixture brackets 150 mm, 38°–65°	77936.
	valance	fixture plate A 430 × 160 × 12 mm	75328.
03	wall sealing profile, up to a pitch of 65°	fixture plate B 300 × 400 × 12 mm	75327.
	infrared heater 2500 W	stand-off bracket 80–300 mm	77969.
04	infrared heater 2500 W with integrated radio-controlled receiver 868 MHz io	markilux panel 250 × 230 × 49 mm	76308.
	LED-spotline – light bar 110 × 70 mm with 5 W LED-spotlights, 180 cm / 3 spots or 300 cm / 5 spots	markilux panel continuous	701104
05	LED spotline io – light bar 110 × 70 mm with 5 W LED spotlights with integrated dimmable radio-controlled receiver, width 180 cm / 3 spots or 300 cm / 5 spots	top fixture bracket 135 mm, 5°–35°	77937.
06	automatic controls (light, wind, rain)	top fixture bracket 150 mm, 38°–65°	77938.
07	N.B. Important background information can be found in the chapter “Optional Accessories”	eaves fixture bracket 150 mm, 5°–35°, flat plate 150 mm	77939.
08		eaves fixture bracket 150 mm, 5°–35°, flat plate 270 mm	77940.
09		flat plate and angled bracket for eaves fixture, machine finish aluminium, 500 mm	741290
10		spreader plate for eaves fixture bracket 260 × 60 × 12 mm	75383.
11		bottom fixture 150 mm, 5°–35°	77941.
12			
13			
14			
15			
16			
17			

Bracket fixture range

Awning with 2 folding arms



dimensions in cm

		Awning width								
		250	300	350	400	450	500	550	600	650
Order dimensions		187	251	301	351	401	451	501	551	601
		250	300	350	400	450	500	550	600	650
		Arm position A								
H	150	172 ¹⁾	220	270	300	340	380	440	490	510
	200	222 ²⁾	223 ¹⁾	270	300	340	380	440	490	510
	250	—	272 ²⁾	273 ¹⁾	300	340	390	440	490	510
	300	—	—	322 ²⁾	323 ¹⁾	340	390	440	490	510
	350	—	—	—	372 ²⁾	373 ¹⁾	390	440	490	—
	400	—	—	—	—	422 ²⁾	423 ¹⁾	440	—	—
BHT		No. of brackets No. of fixing points								
W	15	2 8				3 12				
BP		A 2 16 B 2 8				A 2 16 B 2 8				
DP		—				1 4				
PA		2 8				3 12				
DA / DE	13,5	2 8 2 6				3 12 3 9				

dimensions in cm

1)= coupled awnings are available in intermediate widths with a junction roller on request

2)= please note the minimum widths! Dimension **A** is only valid for standard arms! In the case of bespoke arms: **A** minus 13 cm. coupled units are not available with a junction roller

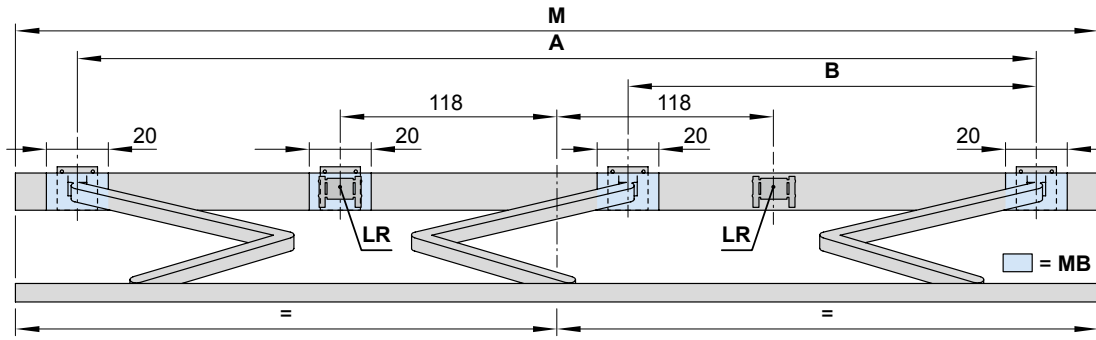
If the brackets cannot be positioned in accordance with this table, make sure the actual dimensions are noted on the order form!

The **pull-out forces** necessary for determining the correct fixing materials necessary to meet wind resistance class 2 (Beaufort 5) can be found in the password-protected dealer area of the pro.markilux.com website under "Pull-out Forces".

- A** = arm position
- BHT** = bracket width
- BP** = spreader plate **A** or **B**, to be positioned behind the folding arm
- DA** = eaves fixture brackets
- DE** = top fixture brackets
- DP** = spacer plate 71644., to be positioned behind the rolltex bearing, in the case of spreader plate **A** or **B**
- H** = **order dimension** = projection
- LR** = rolltex bearing
- M** = **order dimension** = awning width
- MB** = bracket fixture range
- PA** = markilux panel, fixture profile, width 250 mm
- W** = face fixture brackets

Bracket fixture range

Awning with 3 folding arms



dimensions in cm

07

08

09

10

11

12

13

14

15

16

17

		Awning width									
		650					700				
Order dimensions		601	651	675	651	694	650	700	725	700	744
		650	674	700	693	700					
		Arm position									
		A	B	A	B	A	B	A	B	A	B
H	150	—	—	570	265	590	265	—	—	—	—
	200	—	—	570	240	590	240	—	—	—	—
	250	—	—	570	230	590	230	—	—	—	—
	300	566 ²⁾	230 ²⁾	570	230	590	230	—	—	—	—
	350	616 ¹⁾	225 ¹⁾	—	—	—	—	616 ¹⁾	225 ¹⁾	622	230
	400	—	—	—	—	—	—	—	—	666 ¹⁾	230 ¹⁾
BHT		No. of brackets No. of fixing points									
W	15	4 16									
BP		A 3 24 B 3 12									
DP		1 4									
PA		4 16									
DA / DE	13,5	4 16 4 12									

dimensions in cm

If the brackets cannot be positioned in accordance with this table, make sure the actual dimensions are noted on the order form!

1) = please note the minimum widths! Dimension **A** is only valid for standard arms! In the case of bespoke arms: **A** minus 13 cm, coupled units are not available with a junction roller

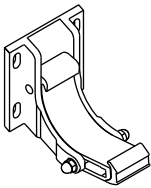
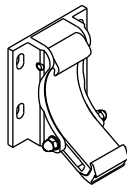
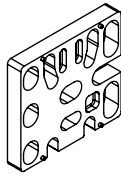
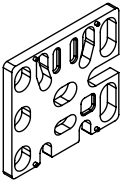
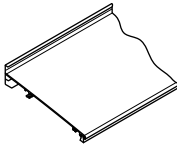
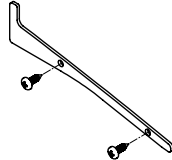
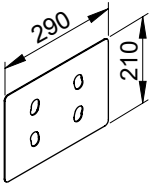
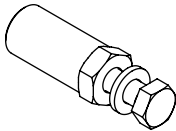
2) = awning only available with 3 olding arms if equipped with shadeplus / drop valance – available on request

The **pull-out forces** necessary for determining the correct fixing materials necessary to meet wind resistance class 2 (Beaufort 5) can be found in the password-protected dealer area of the pro.markilux.com website under “Pull-out Forces”.

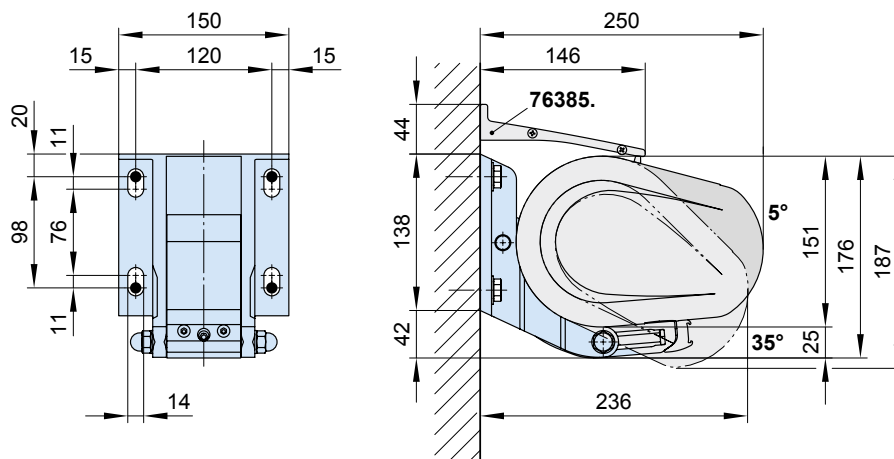
- A** = arm position
- BHT** = bracket width
- BP** = spreader plate **A** or **B**, to be positioned behind the folding arm
- DE** = top fixture brackets
- DA** = eaves fixture brackets
- DP** = spacer plate 71644., to be positioned behind the rolltex bearing, in the case of spreader plate **A** or **B**
- H** = **order dimension** = projection
- LR** = rolltex bearing
- M** = **order dimension** = awning width
- MB** = bracket fixture range
- PA** = markilux panel, fixture profile, width 250 mm
- W** = face fixture brackets

Face fixture

Fixtures, fittings and accessories

 <p>face fixture bracket 150 mm 5°-35°</p> <p>77921.</p>	 <p>face fixture bracket 150 mm 38°-65°</p> <p>77936.</p>	 <p>spacer plate for face/top fixture 150 × 136 × 20 mm</p> <p>N.B! stack to a max. height of 200 mm</p> <p>716331</p>
 <p>spacer plate for face fixture 150 × 136 × 12 mm</p> <p>71644.</p>	 <p>wall sealing profile incl. brush seal by the metre</p> <p>76385. and 704241.</p>	 <p>side plate for wall sealing profile including 2 pan-head self-tapping screws</p> <p>76386. and 2 × 735611</p>
 <p>cover plate for spacer plate and stand-off brackets in the case of external insulation 290 × 210 × 2 mm</p> <p>71841.</p>	 <p>reduction bolt pack 10 pcs</p> <p>M 16 → M 12 M 16 → M 10 M 12 → M 10 M 10 → M 10</p>	

01
02
03
04
05
06
07
08
09
10
11
12
13
14
15
16
17

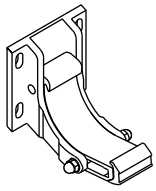


76385. = wall sealing profile (standard width = awning width (M); up to a maximum awning pitch of 65°)

dimensions in mm

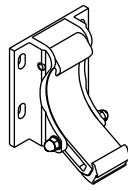
Face fixture with spreader plate A

Fixtures, fittings and accessories



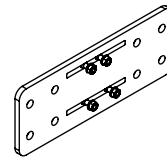
face fixture bracket
150 mm
5°-35°

77921.



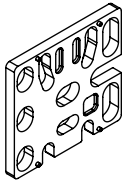
face fixture bracket
150 mm
38°-65°

77936.



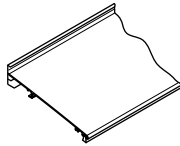
spreader plate A
430 × 160 × 12 mm

75328.



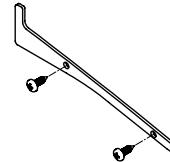
spacer plate for face
fixture
150 × 136 × 12 mm

71644.



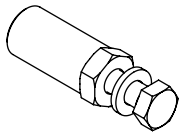
wall sealing profile
incl. brush seal
by the metre

76385. and 704241.



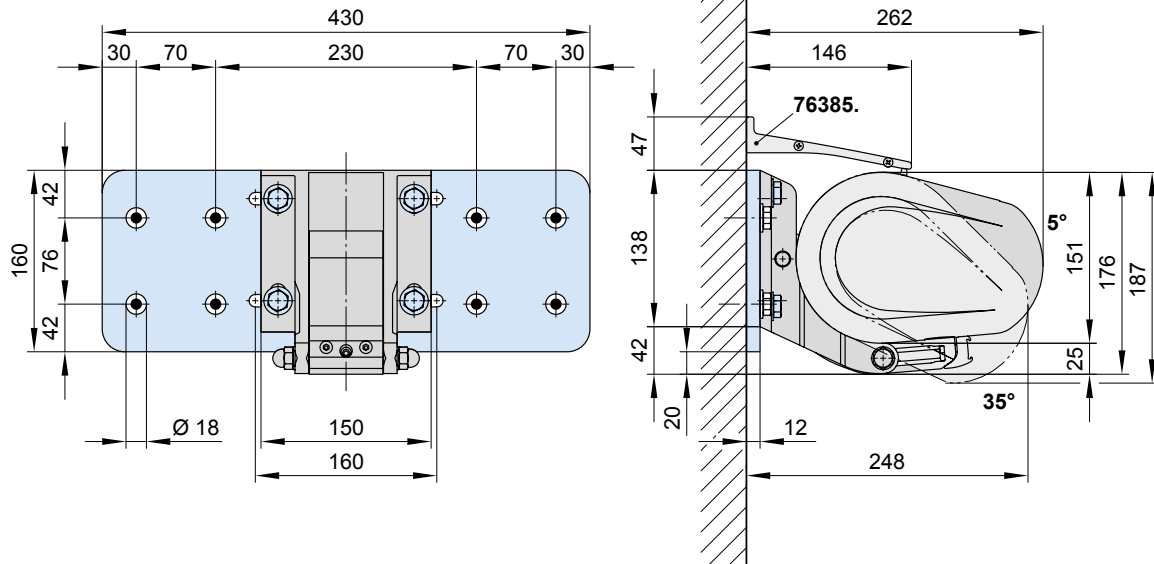
side plate
for wall sealing profile
including 2 pan-head
self-tapping screws

76386. and 2 × 735611



reduction bolt
pack 10 pcs

M 16 → M 12 | M 16 → M 10 | M 12 → M 10 | M 10 → M 10

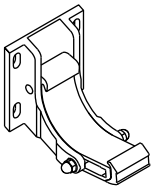
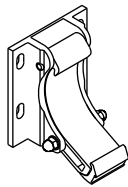
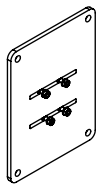
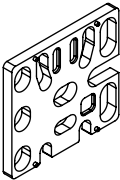
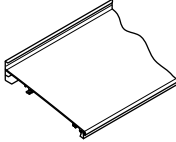
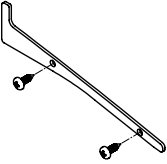
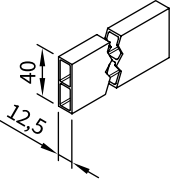
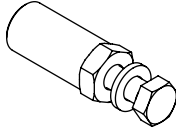


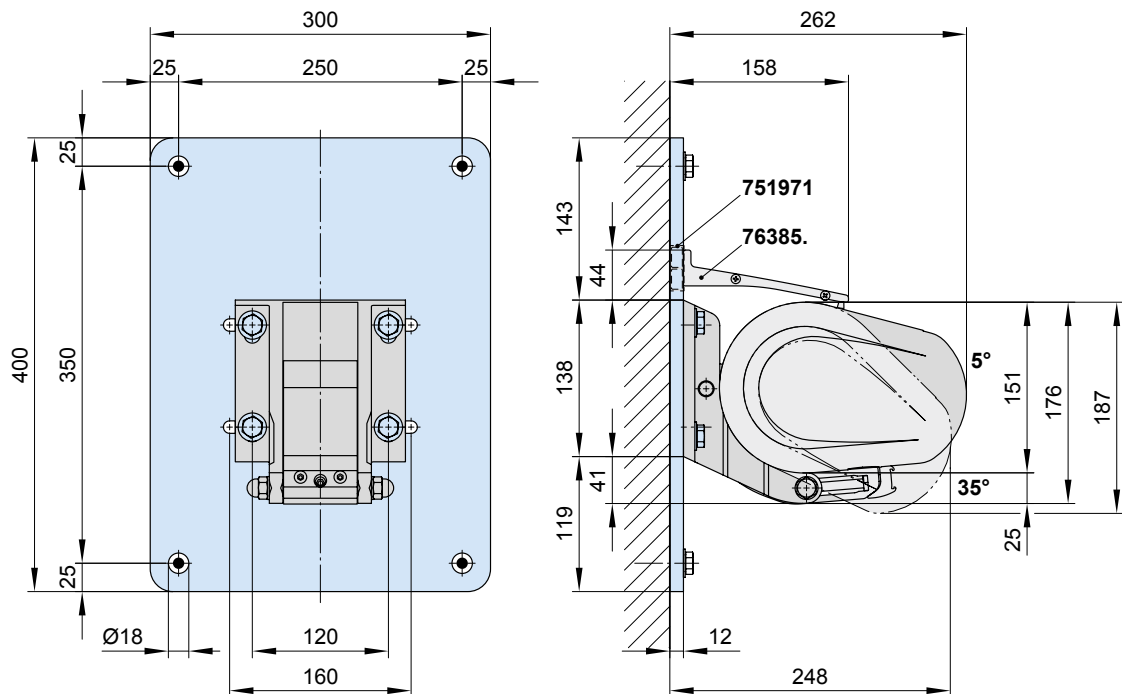
76385. = wall sealing profile (standard width = awning width (M); up to a maximum awning pitch of 65°)

dimensions in mm

Face fixture with spreader plate B

Fixtures, fittings and accessories

 <p>face fixture bracket 150 mm 5°-35°</p> <p>77921.</p>	 <p>face fixture bracket 150 mm 38°-65°</p> <p>77936.</p>	 <p>spreader plate B 300 x 400 x 12 mm</p> <p>75327.</p>
 <p>spacer plate for face fixture 150 x 136 x 12 mm</p> <p>71644.</p>	 <p>wall sealing profile incl. brush seal by the metre</p> <p>76385. and 704241.</p>	 <p>side plate for wall sealing profile including 2 pan-head self-tapping screws</p> <p>76386. and 2 x 735611</p>
 <p>stand-off strip for wall sealing by the metre</p> <p>751971</p>	 <p>reduction bolt pack 10 pcs</p> <p>M 16 → M 12 M 16 → M 10 M 12 → M 10 M 10 → M 10</p>	



751971 = stand-off strip for wall sealing profile

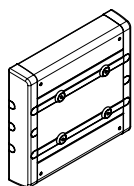
76385. = wall sealing profile (standard width = awning width (M); up to a maximum awning pitch of 65°)

dimensions in mm

01
02
03
04
05
06
07
08
09
10
11
12
13
14
15
16
17

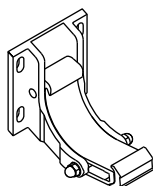
01 **Face fixture using the markilux panel 250 mm wide**

02 Fixtures, fittings and accessories



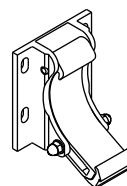
markilux panel
250 × 230 × 49 mm
with decorative profiles
and end caps

76308.



face fixture bracket
150 mm
5°-35°

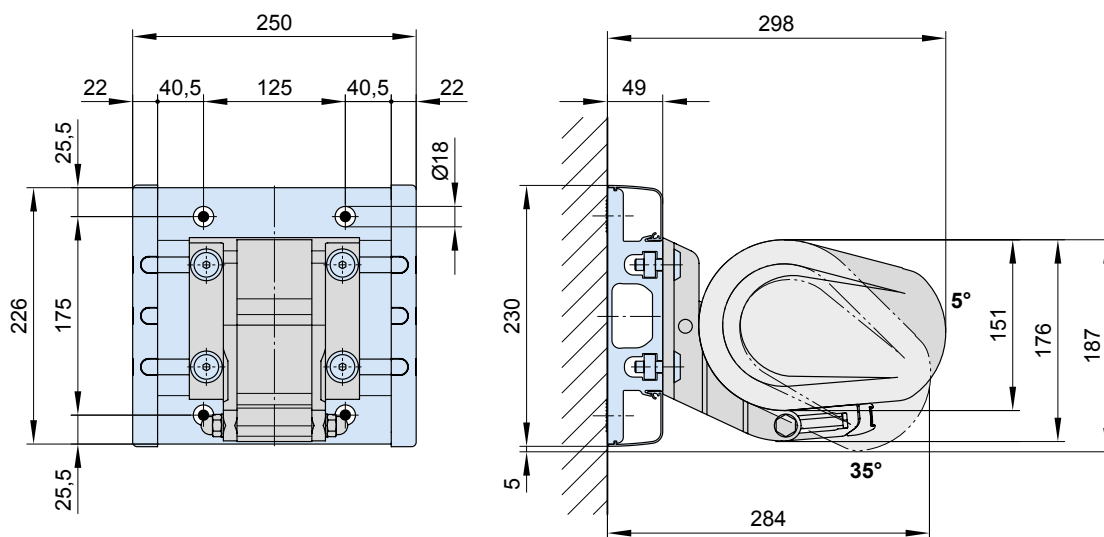
77921.



face fixture bracket
150 mm
38°-65°

77936.

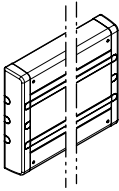
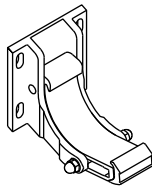
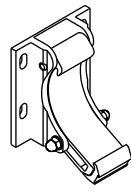
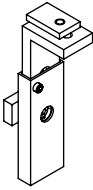
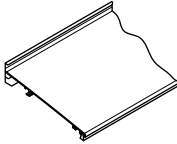
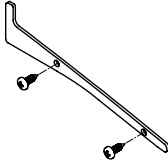
07



dimensions in mm

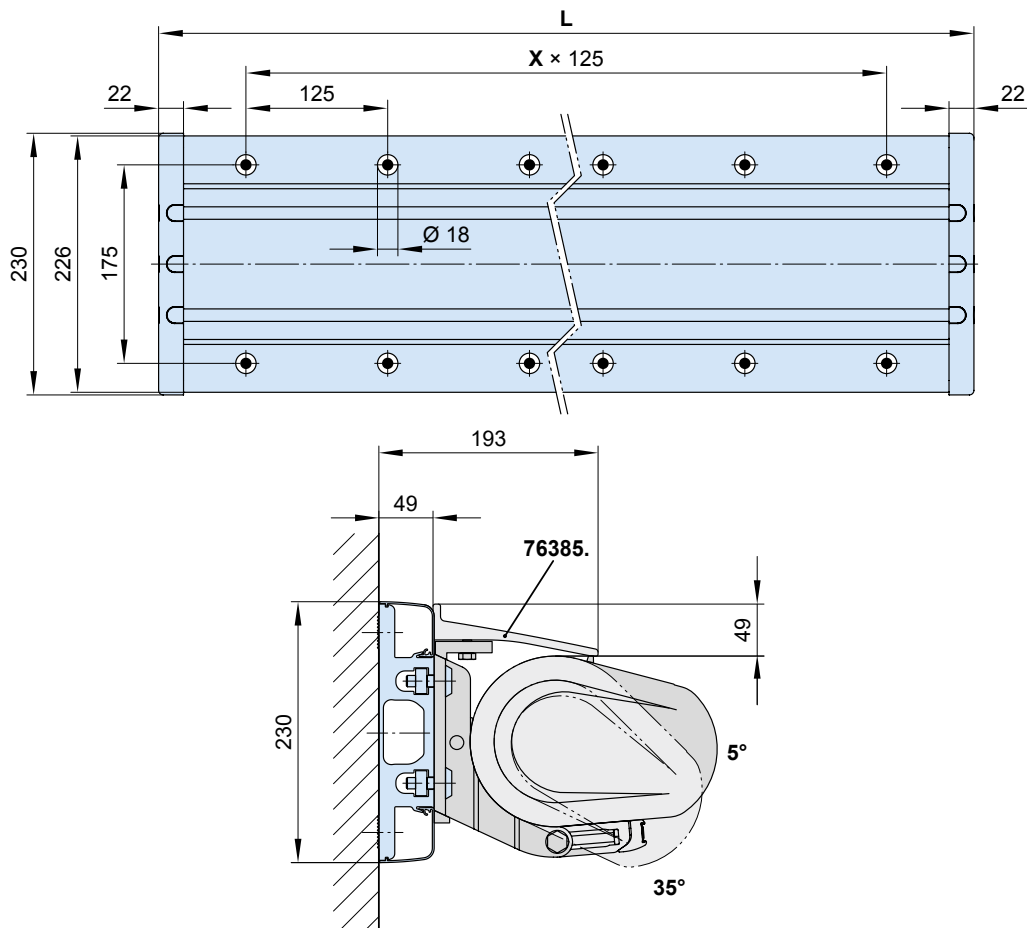
Face fixture with markilux panel continuous

Fixtures, fittings and accessories

 <p>markilux panel continuous with decorative profiles and end caps</p> <p>701104</p>	 <p>face fixture bracket 150 mm 5°-35°</p> <p>77921.</p>	 <p>face fixture bracket 150 mm 38°-65°</p> <p>77936.</p>
 <p>bracket wall sealing profile small</p> <p>76468.</p>	 <p>wall sealing profile incl. brush seal by the metre</p> <p>76385. and 704241.</p>	 <p>side plate for wall sealing profile including 2 pan-head self-tapping screws</p> <p>76386. and 2 × 735611</p>

As a **continuous fixture profile**, the markilux panel will always be supplied to order on the basis of a technical drawing prepared in the factory in accordance with the awning specification.

The technical drawing shows the fixture points and pull-out forces and must be approved in writing.



76385. = wall sealing profile (standard width = awning width (M); up to a maximum awning pitch of 65°)

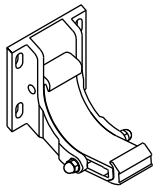
L = individual width, max. 7000 mm (standard L = M)

X = number of distances between the spots by way of example

dimensions in mm

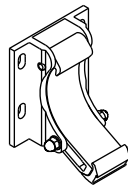
Face fixture with stand-off bracket

Fixtures, fittings and accessories



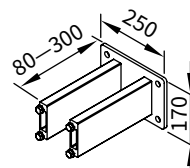
face fixture bracket
150 mm
5°-35°

77921.



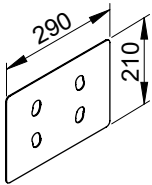
face fixture bracket
150 mm
38°-65°

77936.



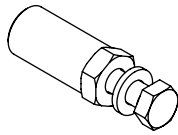
stand-off bracket
for face-fixture bracket
77921. und 77936.
80-300 mm
incl. insulating element

77969.



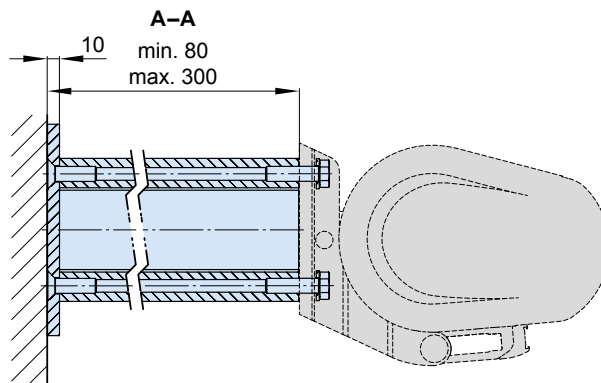
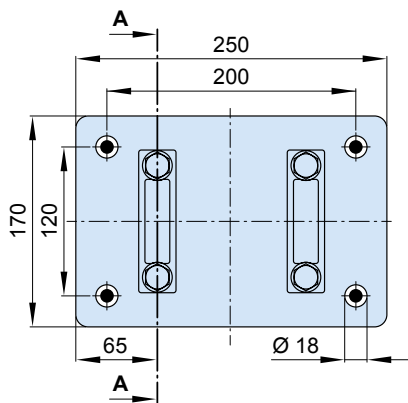
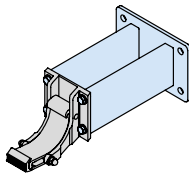
cover plate for spacer
plate and stand-off
brackets in the case of
external insulation
290 x 210 x 2 mm

71841.



reduction bolt
pack 10 pcs

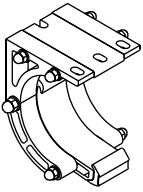
M 16 → M 12 | M 16 → M 10 | M 12 → M 10 | M 10 → M 10



dimensions in mm

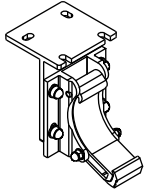
Top fixture

Fixtures, fittings and accessories



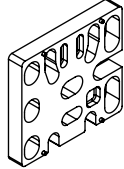
top fixture bracket
135 mm
5°-35°

77937.



top fixture bracket
150 mm
38°-65°

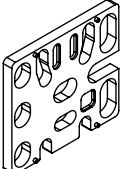
77938.



spacer plate
for face/top fixture
150 × 136 × 20 mm

N.B!
stack to a max. height of
200 mm

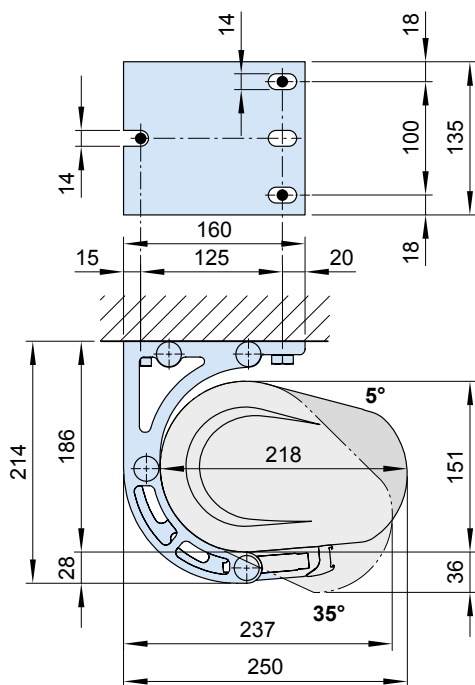
716331



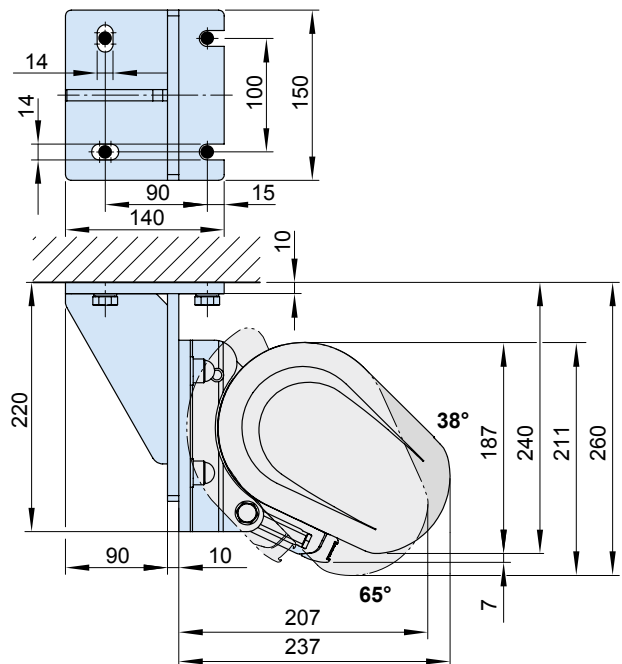
spacer plate for face
fixture
150 × 136 × 12 mm

71644.

With top fixture bracket 135 mm 5°-35° (77937.)



With top fixture bracket 150 mm 38°-65° (77938.)

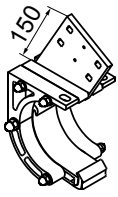


dimensions in mm

01
02
03
04
05
06
07
08
09
10
11
12
13
14
15
16
17

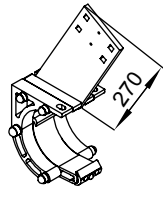
Eaves fixture

Fixtures, fittings and accessories



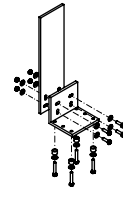
eaves fixture bracket
150 mm, 5°-35°
height of flat plate
150 mm

77939.



eaves fixture bracket
270 mm, 5°-35°
height of flat plate
270 mm

77940.



angle and plate for
eaves fixture
machine finish
height of flat plate
500 mm

741290

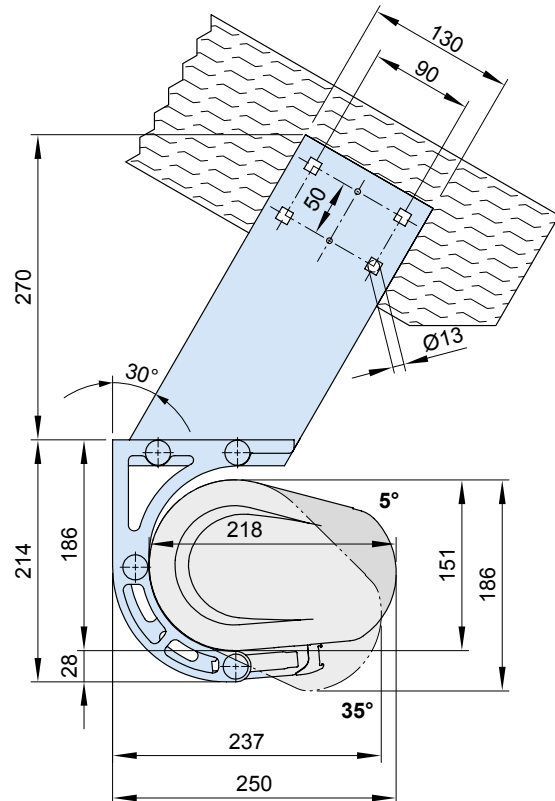
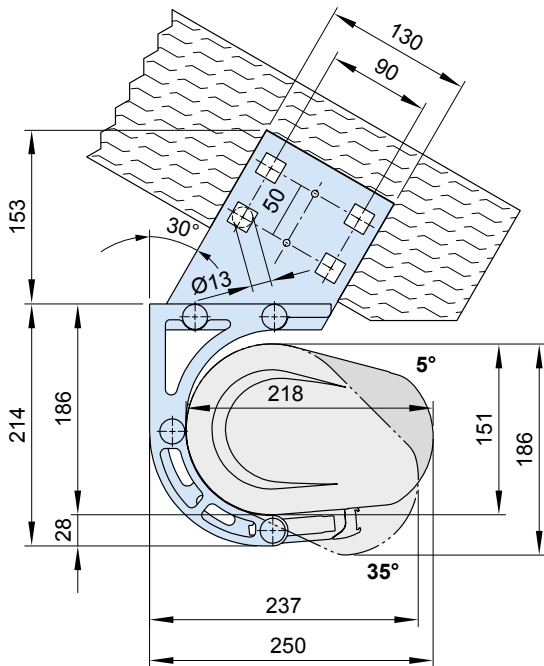
01
02
03
04
05
06

07

08
09
10
11
12
13
14
15
16
17

With eaves fixture bracket 150 mm (77939.)

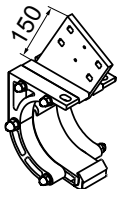
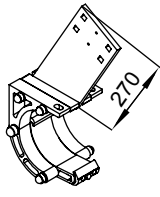
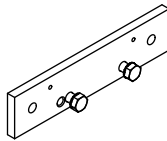
With eaves fixture bracket 270 mm (77940.)



dimensions in mm

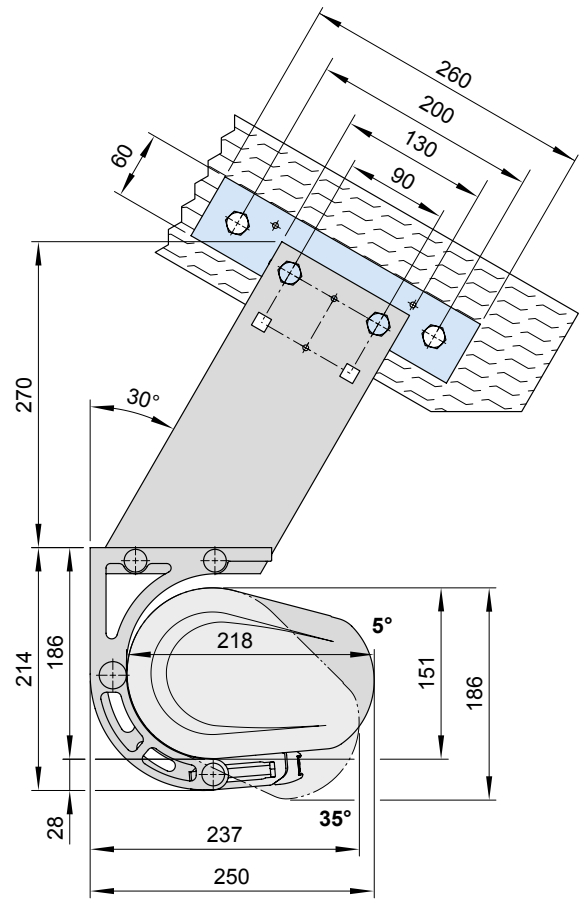
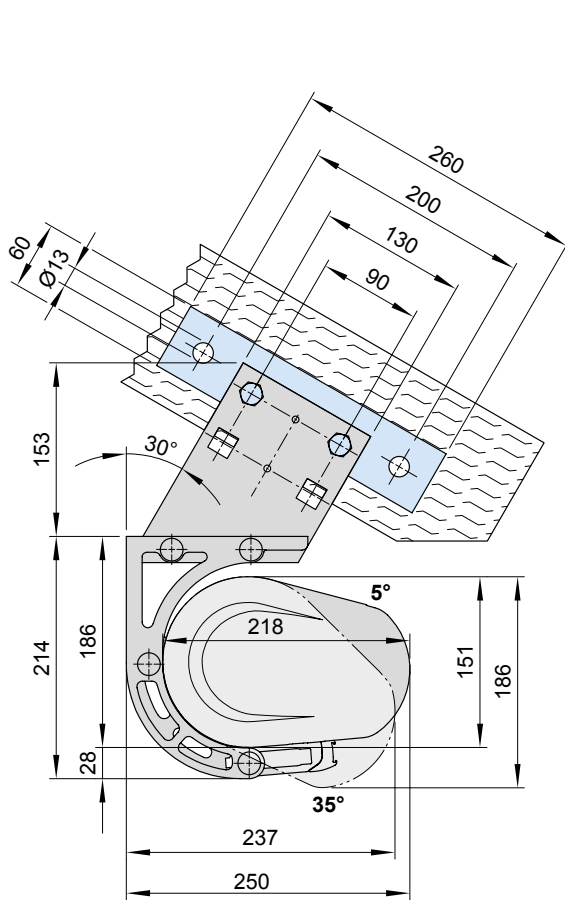
Eaves fixture with additional plate

Fixtures, fittings and accessories

 <p>eaves fixture bracket 150 mm, 5°-35° height of flat plate 150 mm</p> <p>77939.</p>	 <p>eaves fixture bracket 150 mm, 5°-35° height of flat plate 270 mm</p> <p>77940.</p>	 <p>supplementary flat plate for eaves fixture 260 × 60 × 12 mm</p> <p>75383.</p>
--------------------------------------------------------------------------------------------------------------------------------------------------------------------------------------------	--------------------------------------------------------------------------------------------------------------------------------------------------------------------------------------------	-------------------------------------------------------------------------------------------------------------------------------------------------------------------------------------

With eaves fixture bracket 150 mm (77939.)

With eaves fixture bracket 270 mm (77940.)

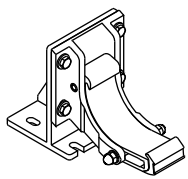


dimensions in mm

01
02
03
04
05
06
07
08
09
10
11
12
13
14
15
16
17

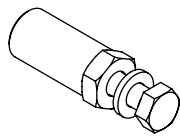
01 **Bottom fixture**

02 Fixtures, fittings and accessories



bottom fixture
150 mm, 5°-35°

77941.

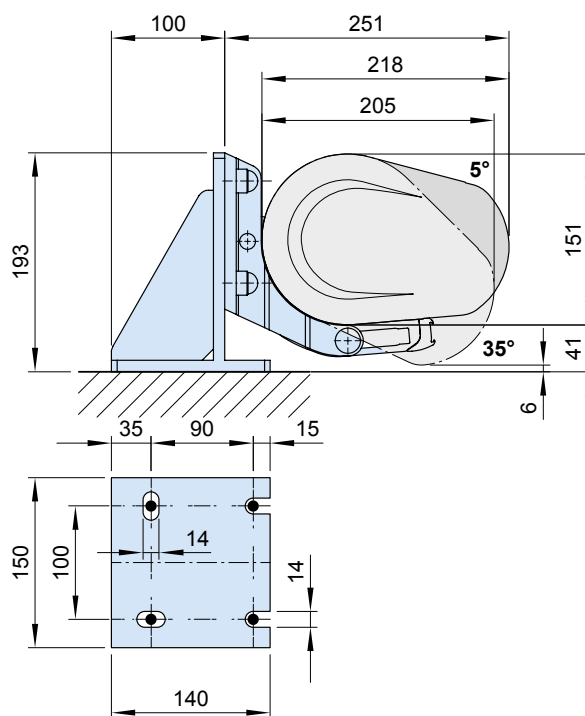


reduction bolt

pack 10 pcs

M 16 → M 12 | M 16 → M 10 | M 12 → M 10 | M 10 → M 10

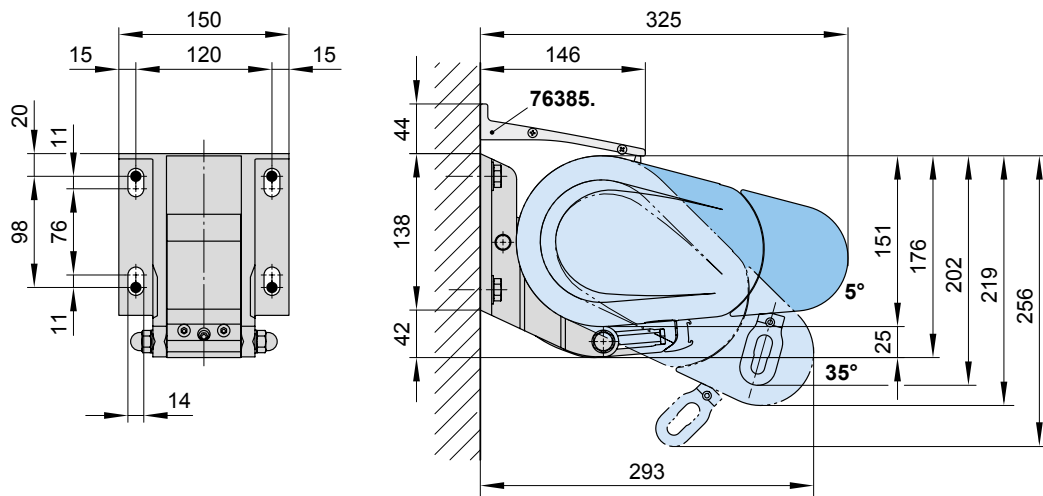
07



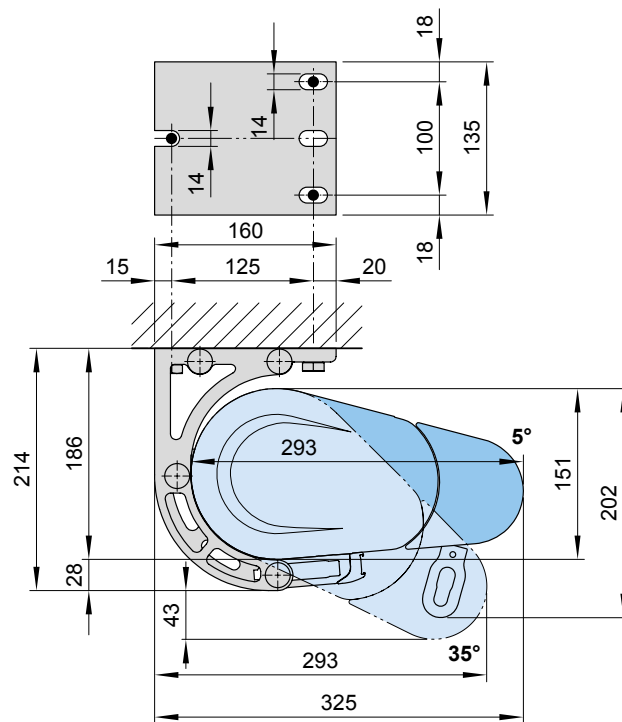
dimensions in mm

Awning with shadeplus

Face fixture



Top fixture



76385. = wall sealing profile (standard width = awning width (M); up to a maximum awning pitch of 65°)

dimensions in mm

- 01
- 02
- 03
- 04
- 05
- 06
- 07**
- 08
- 09
- 10
- 11
- 12
- 13
- 14
- 15
- 16
- 17

01 **Face fixture, manual operation, Gearbox eye positions**

02 Dimensions at pitches between 5°–35°

03

04

05

06

07

08

09

10

11

12

13

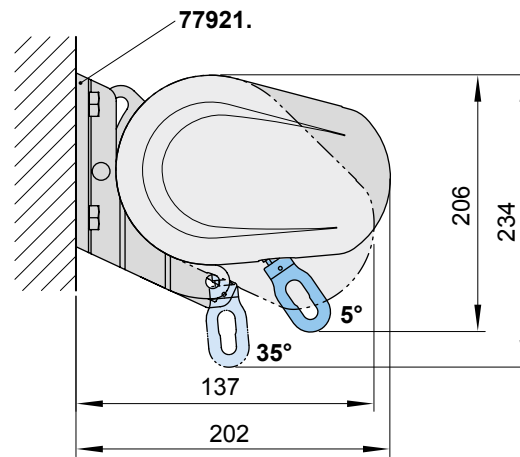
14

15

16

17

18

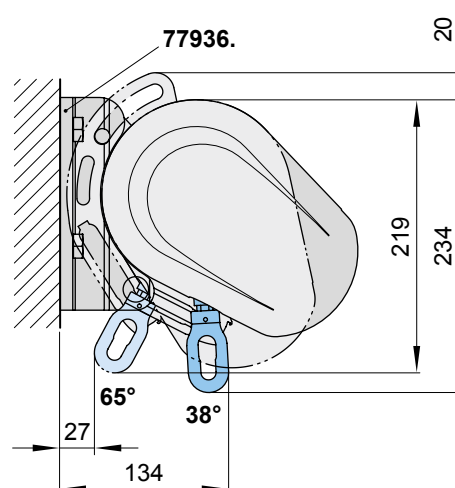


14 Dimensions at pitches between 38°–65°

15

16

17



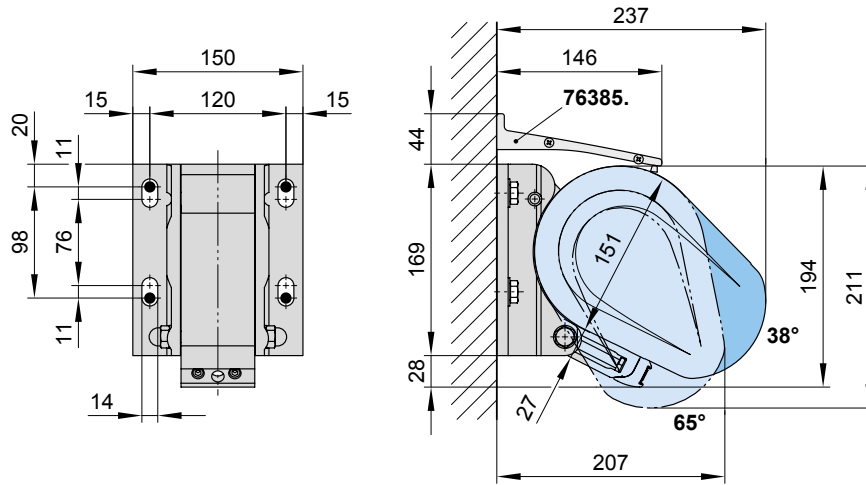
77921. = face fixture brackets 150 mm, 5°–35°

77936. = face fixture brackets 150 mm, 38°–65°

dimensions in mm

Top fixture, motor operation

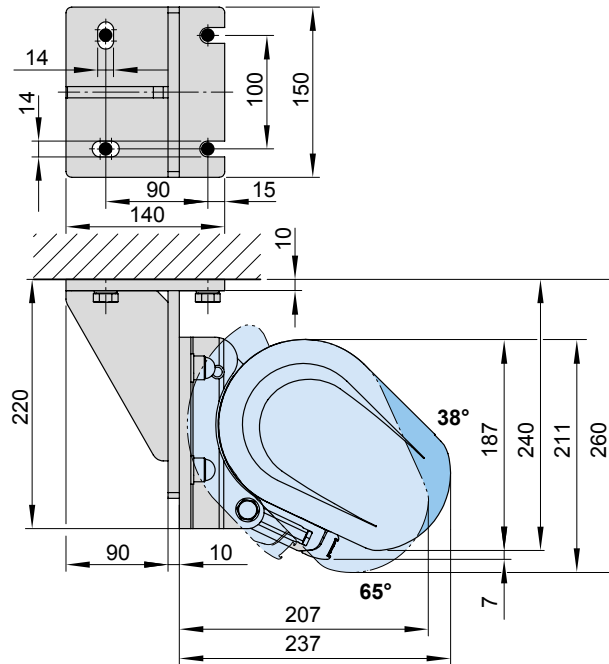
Dimensions at pitches between 38°-65°



- 01
- 02
- 03
- 04
- 05
- 06
- 07**
- 08
- 09
- 10
- 11
- 12
- 13
- 14
- 15
- 16
- 17

Top fixture, motor operation

Dimensions at pitches between 38°-65°



76385. = wall sealing profile (standard width = awning width (M); up to a maximum awning pitch of 65°)

dimensions in mm

01 Motor cable exit point

02

03

04

05

06

07

08

09

10

11

12

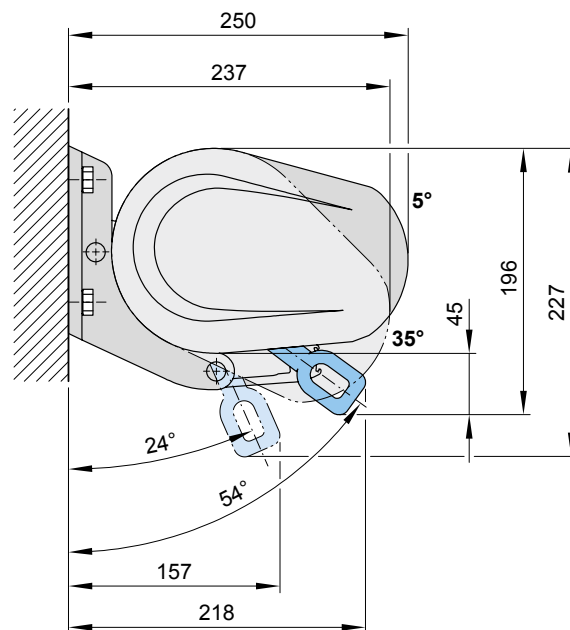
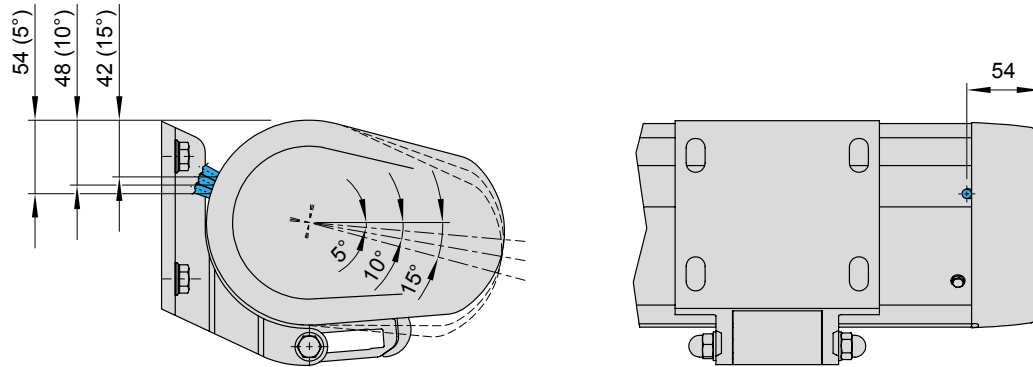
13

14 Face fixture, radio-controlled motor with manual override

15

16

17



dimensions in mm