



Vertical cassette blind

markilux 625 tracfix

Vertical cassette blind for large areas with tracfix cover guidance system.

Product Characteristics

Wind resistance class 2 | 3 (depending on size)
Beaufort 5 → 28–37 km/h → 7.5–10.4 m/s → 17–23 mph |
Beaufort 6 → 38–48 km/h → 10.5–13.4 m/s → 24–30 mph

01
02
03
04
05
06
07
08
09
10
11
12
13
14
15
16
17
18
19

lateral view



unit when closed



reveal fixture

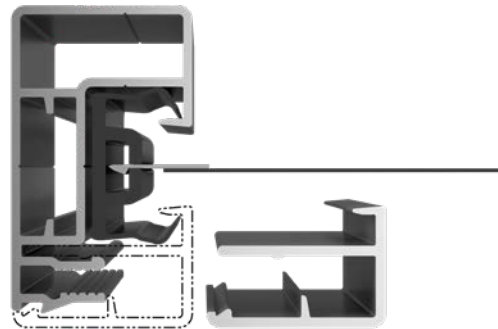
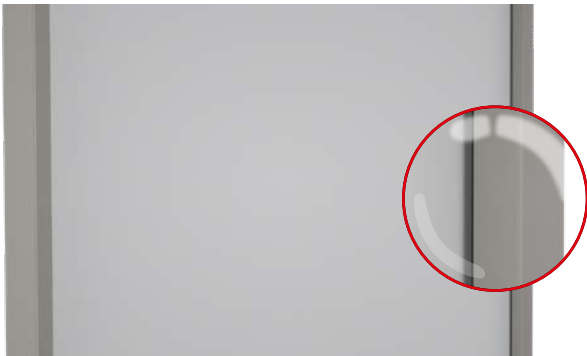


when extended, the front profile finishes flush with the end of the guide tracks

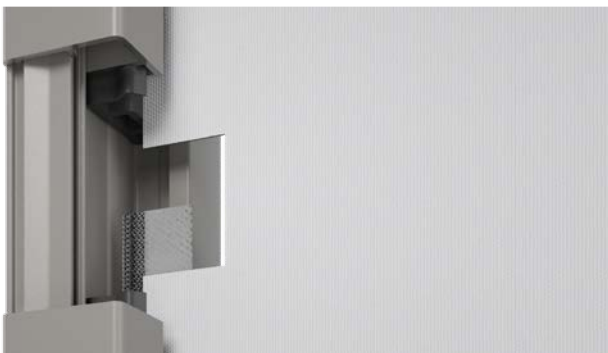


tracfix cover guidance system – leaves no gap between the cover and the guide track

cover guidance system in the tracfix profile



section of guide rail with tracfix profile



Product Characteristics

Description

- vertical cassette blind with angled guide rails and gravity-fed cover tensioning system – for areas up to 22 m² in size

Special features

- fully encompassing cassette that protects the cover perfectly
- attractive appearance without visible screws
- supplied as standard with a hard-wired motor
- with tracfix system, the continuous lateral cover guidance system that leaves no gap between the cover and guide tracks – gives improved wind stability and a cleaner appearance
- good blind closure guaranteed by virtue of the small protuberances on the bottom profile end caps that close firmly against the cassette
- fixture directly through the angled rails – the cassette is positioned right against the wall
- can be combined perfectly with the blind system markilux markant

Dimensions

- single unit: 70–600 cm in width, maximum extension 400 cm (depending on the width)
- maximum width × height: 550 × 400 cm/ 600 × 350 cm
- intermediate sizes are available

Roller tube and lateral bearings

- round roller tube Ø 85 mm with keyway, galvanised steel
- the roller tube bearing is made of stainless steel

Awning profiles

- extruded aluminium, in façade quality, powder coated
- cassette profile in one piece, angular, height × depth 135 mm × 125 mm
- angled guide rails in two pieces, width × depth 27 mm × 48 mm
- front profile angular, height × depth 32 mm × 40 mm

End caps

- the cassette end caps made of die-cast aluminium, powder coated
- end cap for guide track made of high-quality plastic

Fixture brackets

- self-supporting cassette on guide tracks
- without brackets, fixture directly through the guide tracks

01
02
03
04
05
06
07
08
09
10
11
12
13
14
15
16
17
18
19

01 **Frame colours**02 **markilux frame colours without surcharge**

03 traffic white, RAL 9016



04 metallic aluminium, RAL 9006



05 grey brown, similar to RAL 8019



06

07 off-white textured finish, 5233 ¹⁾08 stone grey metallic, 5215 ¹⁾09 anthracite metallic, 5204 ¹⁾10 havana brown textured finish, 5229 ¹⁾11 **Non-standard powder-coated finish**

Bespoke frame colours incur a surcharge – matt, metallic, finely textured and pearl finishes as well as other colour ranges (DB, Tiger etc.) on request. All frame colours are available at a surcharge with enhanced corrosion protection.

Colours may differ slightly from those depicted in both hue and finish.

1) textured finish

Dimensions and configuration options

Single unit

		Awning width										Minimum blind width		
		150	200	250	300	350	400	450	500	550	600	Hard-wired motor	Radio-controlled motor	
Order dimensions		70 150	151 200	201 250	251 300	301 350	351 400	401 450	451 500	501 550	551 600	70	78	
AH	150 ¹⁾													
	200													
	250													
	300								2)	2)	2)			
	350						2)	2)	2)	2)	2)			
	400	2)	2)	2)	2)	2)	2)	2)	2)	2)	—			

dimensions in cm

1) = minimum unit height 65 cm

AH = unit height

2) = meets wind resistance class 2, all other sizes meet wind resistance class 3

Operation

	standard	optional
crank handle, outside	—	—
crank handle, at the rear	—	—
crank handle, internal operation	—	—
hard-wired motor	✓	—
radio-controlled motor io, 868 MHz	—	✓
radio-controlled motor RTS, 433 MHz	—	✓

Coupled awnings

not available

Awning cover

	fabric pattern no.	standard	optional
sunvas	300..–315..	✓	—
sunsilk	324.. / 325.. / 328.. / 369..	✓	—
sunbow	411..–427..	✓	—
smart art	340..	—	—
perla FR	371.. / 372..	—	✓
perfortex	331.. / 332..	✓	—
transolair	338..	—	✓
transolair (120 cm)	339..	—	✓
Soltis Perform 92	92–20..	—	✓
Serge 600	272..	—	✓

Optional accessories

automatic controls (light, wind, rain)

N.B. Important background information can be found in the chapter “Optional Accessories”

01 **sunvas** Fabric pattern 301.. / 309.. – 315.. **smart art** 340..
transolair 339.. **sunsilk** 324.. / 325.. / 328.. / 369..
perla FR 371.. / 372..

02 Fabric width 120 cm

		Awning width									
		150	200	250	300	350	400	450	500	550	600
AH	150										
	200										
	250										
	300										
	350										
	400										

06

07 **sunvas** Fabric pattern 31008..¹⁾, -09¹⁾, -13, -16, -18, -25, -27, -28, -31, -36, -37, -57, -58, 31109, -14, -17
 Fabric width 250 cm

		Awning width									
		150	200	250	300	350	400	450	500	550	600
AH	150										
	200										
	240										
	300				1)	1)	1)				
	350				1)	1)					
	400				1)	1)					

1) also available in fabric width 320 cm – then seamless

12 **sunbow** Fabric pattern 411.. - 427..
 Fabric width 120 cm

		Awning width									
		150	200	250	300	350	400	450	500	550	600
AH	150										
	200										
	250										
	300										
	350										
	400										

Note: The maximum width of the outer panels in tracfix systems with vertical panel joints is 35 cm

= vertical panel joints (panel width approx. 120 cm)
 = seamless
 = not available
 = horizontal panel joint(s)
 AH = unit height

dimensions in cm

transolair Fabric pattern 338..
Fabric width 250 cm

		Awning width									
		150	200	250	300	350	400	450	500	550	600
AH	150										
	200										
	240										
	300										
	350										
	400										

perfortex Fabric pattern 331.. / 332..
Fabric width 120 cm

		Awning width									
		150	200	250	300	350	400	450	500	550	600
AH	150										
	200										
	250										
	300										
	350										
	400										

Serge 600 Fabric pattern 272..
Fabric width 250 cm

		Awning width									
		150	200	250	300	350	400	450	500	550	600
AH	150										
	200										
	240										
	300										
	350										
	400										

Soltis Perform 92 Fabric pattern 277..
Fabric width 177 cm

		Awning width									
		150	177	250	300	350	400	450	500	550	600
AH	150										
	170										
	250										
	300										
	350										
	400										

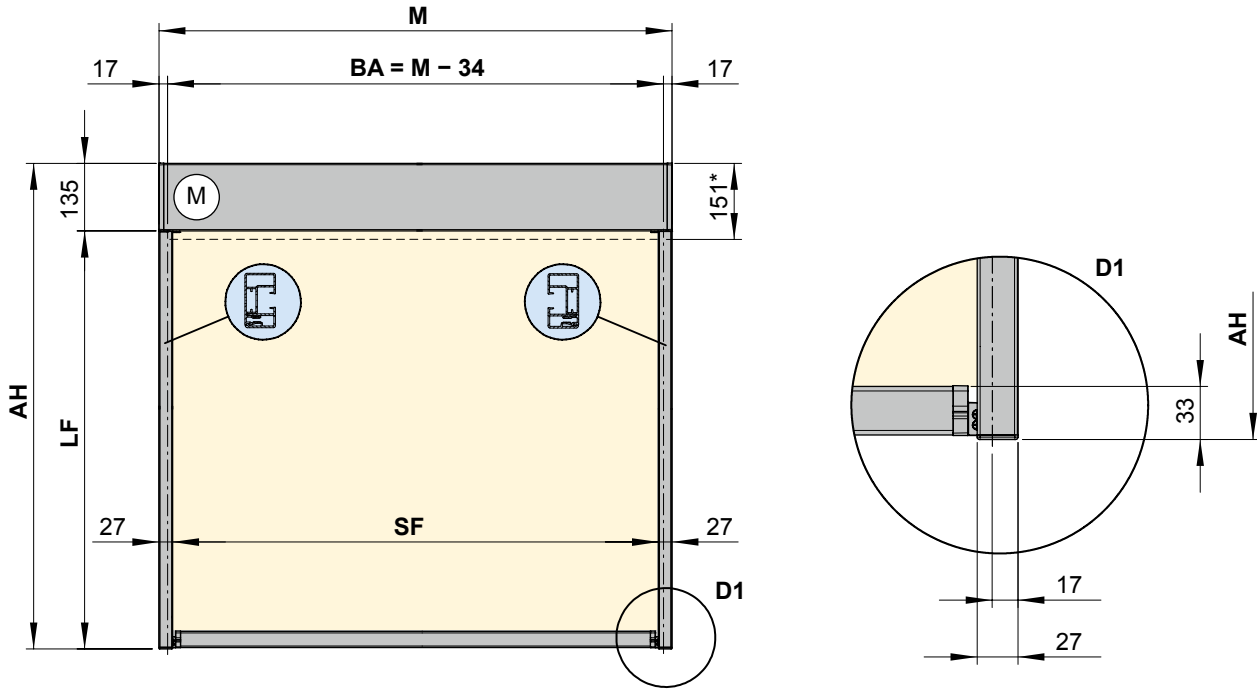
Note: The maximum width of the outer panels in tracfix systems with vertical panel joints is 35 cm

- = vertical panel joints (panel width approx. 120 cm)
- = seamless
- = not available
- = horizontal panel joint(s)
- AH** = unit height

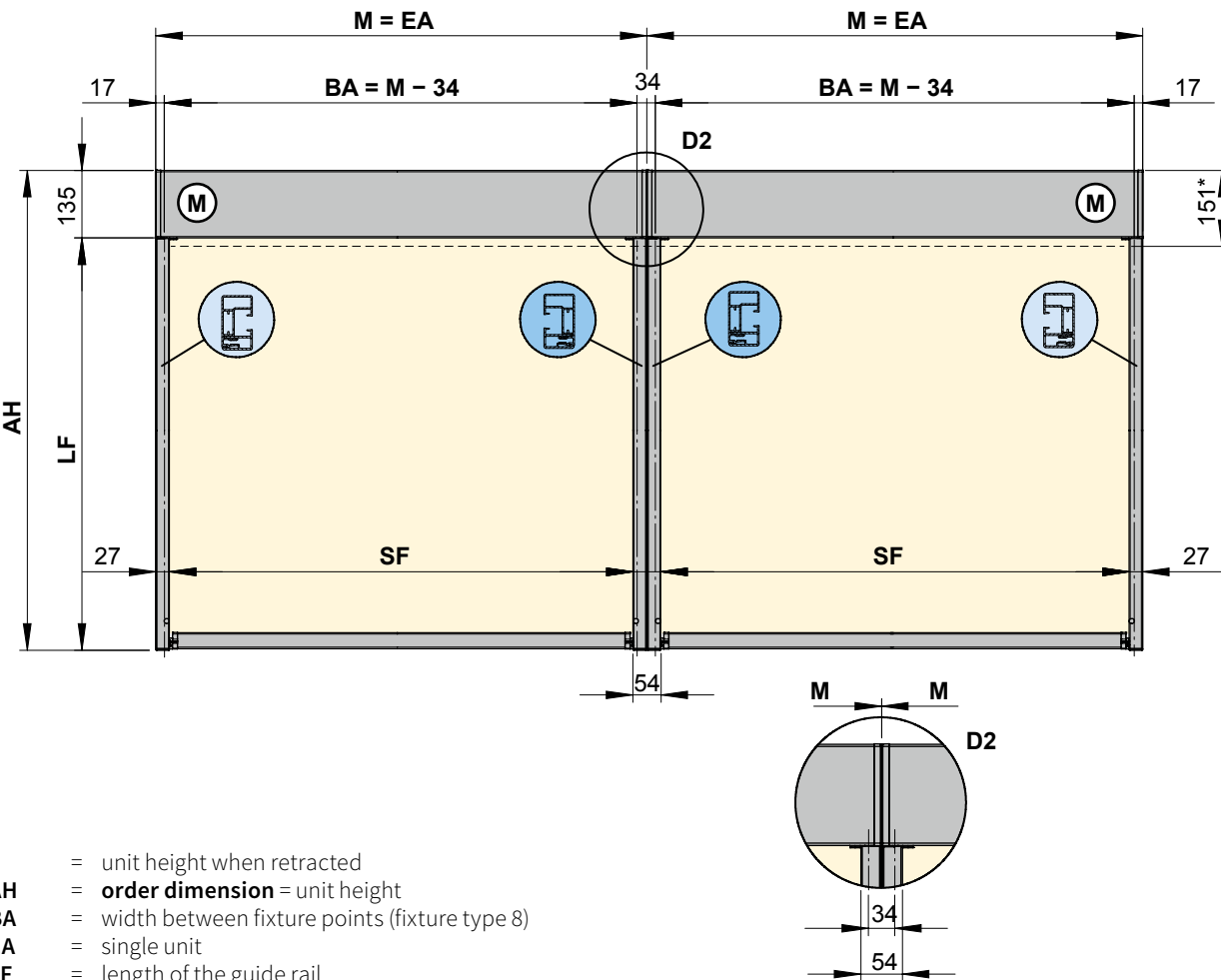
dimensions in cm

Overview of dimensions

Single unit



Two single units

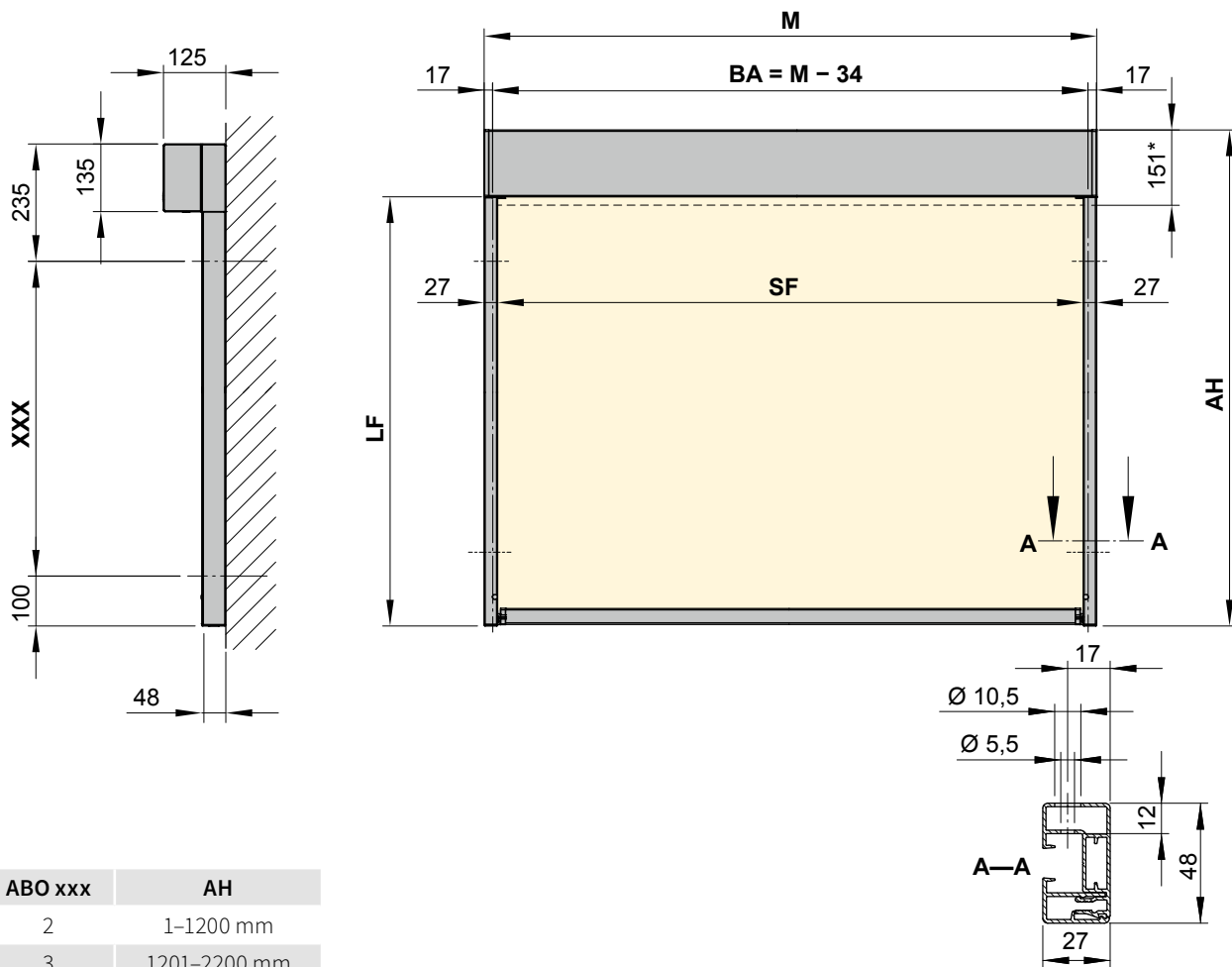


- * = unit height when retracted
- AH = **order dimension** = unit height
- BA = width between fixture points (fixture type 8)
- EA = single unit
- LF = length of the guide rail
- M = **order dimension** = awning width
- Ⓜ = motor
- SF = visible cover

dimensions in mm

Dimension overview fixture combination 8

Face fixture



ABO xxx	AH
2	1-1200 mm
3	1201-2200 mm
4	2201-3200 mm
5	3201-4000 mm

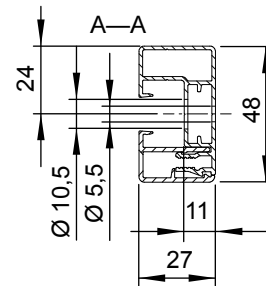
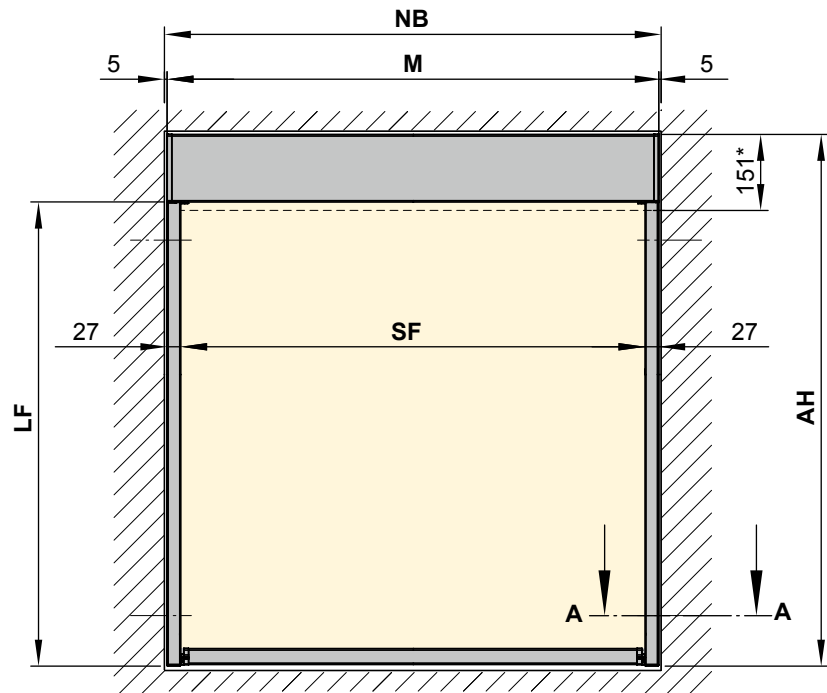
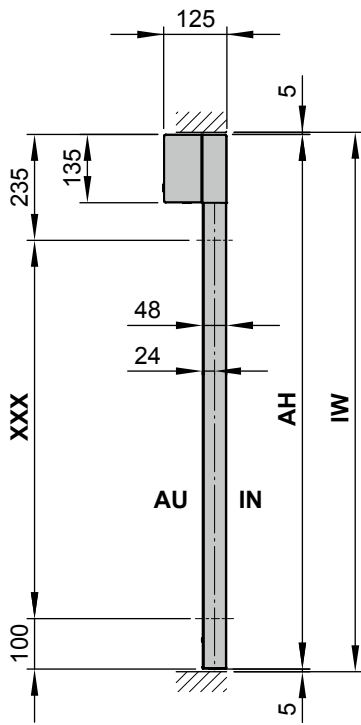
- * = unit height when retracted
- AH** = **order dimension** = unit height
- ABO** = number of drill holes in the range xxx
- BA** = width between fixture points
- LF** = length of the guide rail
- M** = **order dimension** = awning width
- SF** = visible cover

dimensions in mm

01
02
03
04
05
06
07
08
09
10
11
12
13
14
15
16
17
18
19

Dimension overview fixture combination 9

Reveal fixture

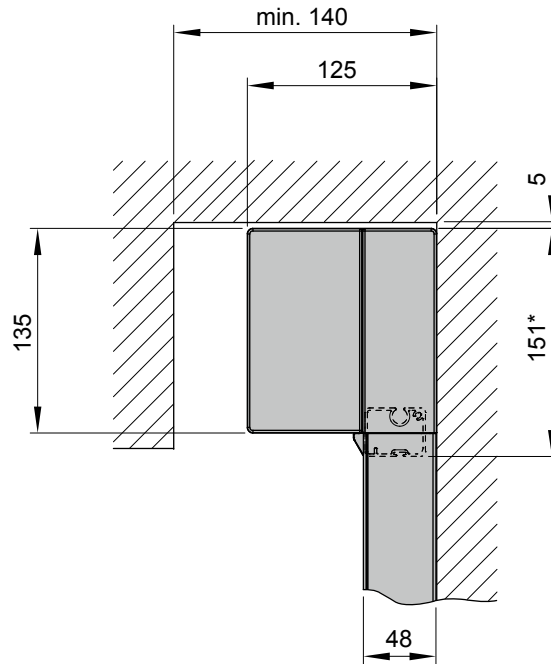


ABO xxx	AH
2	1-1200 mm
3	1201-2200 mm
4	2201-3200 mm
5	3201-4000 mm

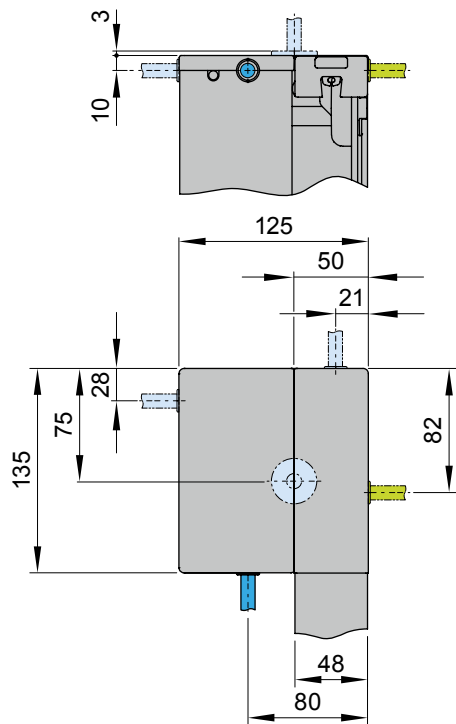
- * = unit height when retracted
- AH** = **order dimension** = unit height = IW - 10 mm
- AU** = exterior
- ABO** = number of drill holes in the range xxx
- IN** = interior
- IW** = height of opening
- LF** = length of the guide rail
- M** = **order dimension** = awning width
- NB** = reveal width
- SF** = visible cover

dimensions in mm

Reveal fixture in a top window well



Motor cable exit point



- * = unit height when retracted
- = standard
- = optional
- = optionally with surcharge

dimensions in mm

01
02
03
04
05
06
07
08
09
10
11
12
13
14
15
16
17
18
19

01

02

03

04

05

06

07

08

09

10

11

12

13

14

15

16

17

18

19