



Underglass Awning

markilux 779 / 779 tracfix

The perfect underglass awning for large areas. The angular frame design throughout emphasizes design emphasizes the lines of each and every glass canopy.



reddot design award
winner 2017



GERMAN
DESIGN
AWARD
WINNER
2018

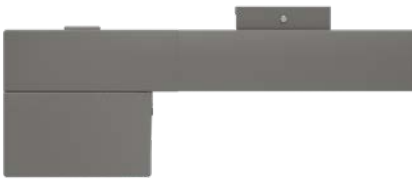
markilux
safe timeless beautiful

Product Characteristics

Wind resistance class 2 | 3 (depending on size)
 Beaufort 5 → 28–37 km/h → 7.5–10.4 m/s → 17–23 mph |
 Beaufort 6 → 38–48 km/h → 10.5–13.4 m/s → 24–30 mph



1 side view: motor drive, flat track bracket



1 side view: crank handle operation



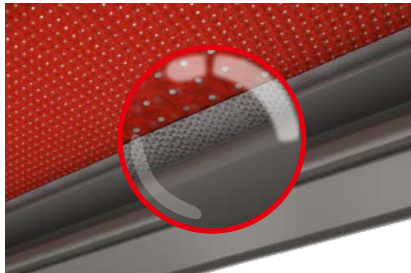
2 cable feed for lighting options



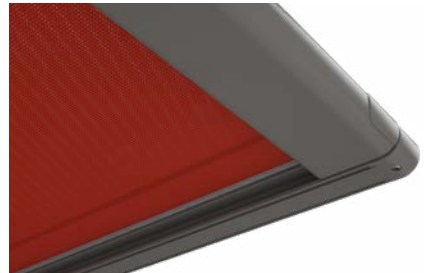
3 shadeplus during extension



4 tracfix cover guidance – no gap between cover and track ¹⁾



5 when extended, the front profile finishes flush with the end of the guide tracks



6 LED-Line fitted to the guide track and cover support tube ¹⁾



7 LED-Line fitted to the guide track and LED-Spots in the cover support tube ¹⁾



8 LED-Line in the cassette ¹⁾



1) Optional accessories

Product Characteristics

Description

- underglass awning with cleanly designed, quadratic cassette and harmoniously matched, angular guide tracks
- the ingenious tensioning system and the sturdy design allow areas of up to 27 m² to be shaded

Special features

- fully encompassing cassette that protects the cover perfectly
- tried-and-tested tensioning system with drive belts and integrated gas pistons – delivers optimum cover tension – in any phase of extension
- tracfix optional: the continuous lateral cover guidance system that leaves no gap between the cover and guide tracks – gives improved wind stability and a cleaner appearance
- various lighting combinations are available: lighting strip LED Line in the guide tracks, LED Line in the cover support tube or LED Spots fitted to the cover support tube – individually configurable lighting options providing a pleasant atmosphere in the evening
- option of a drop valance with a height of 150 cm or 210 cm (depending on the fabric series chosen) – protection against low-lying sun, wind and inquisitive glances integrated into the front profile, with manual operation
- the broad range of brackets with patented clip-on system offers individual fixture solutions

Dimensions

- single unit: 60–600 cm in width, maximum extension 600 cm (depending on the width)
- maximum dimensions, width × extension: 400 × 600 cm / 600 × 450 cm (without tracfix system)
- maximum dimensions, width × extension: 600 × 450 cm (with tracfix system)
- intermediate sizes are available

Roller tube and lateral bearings

- round roller tube Ø 85 mm with keyway, galvanised steel – excellent stability, ensures near perfect cover performance even at the largest widths
- the roller tube bearing is made of stainless steel

Awning profiles

- extruded aluminium, in façade quality, powder coated
- cassette profile in two pieces, square, height × depth 125 mm × 125 mm
- guide tracks angular, rounded edges, width × height 52 mm × 52 mm
- front profile rounded at the front, depth × height 110 mm × 52 mm, shadeplus profile depth × height 139 mm × 66 mm

End caps

- the cassette end caps are made of die-cast aluminium, in two parts, powder coated
- the front profile end caps are made of high-quality plastic, powder coated

Fixture brackets

- extruded aluminium, powder coated
- cassette is self-supporting on guide tracks
- brackets for the guide tracks: flat track brackets, stand-off brackets, reveal fixture
- standard bracket heights: 20 mm / 85 mm / 105–145 mm (bespoke heights can be ordered)
- other accessories are available

01 **Frame colours**02 **markilux frame colours without surcharge**

03 traffic white, RAL 9016



04 metallic aluminium, RAL 9006



05 grey brown, similar to RAL 8019

07 off-white textured finish, 5233 ¹⁾08 stone grey metallic, 5215 ¹⁾09 anthracite metallic, 5204 ¹⁾11 havana brown textured finish, 5229 ¹⁾**17****Non-standard powder-coated finish**

18 Bespoke frame colours incur a surcharge – matt, metallic, finely textured and pearl finishes as well as other colour ranges (DB, Tiger etc.) on request. All frame colours are available at a surcharge with enhanced corrosion protection.

19 Colours may differ slightly from those depicted in both hue and finish.

1) textured finish

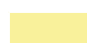


Dimensions and configuration options

Single unit

		Awning fixture width										Minimum fixture width	
		150	200	250	300	350	400	450	500	550	600	Hard-wired motor	Radio-controlled motor
Order dimensions		60 150	151 200	201 250	251 300	301 350	351 400	401 450	451 500	501 550	551 600		
Overall width		+ 5,4											
H	150 ¹⁾											60 [72]	70 [82]
	200 ¹⁾												
	250 ¹⁾									2)			
	300 ¹⁾							2)	2)	2)			
	350 ¹⁾						2)	2)	2)	2)	2)		
	400 ¹⁾	2)	2)	2)	2)	2)	2)	2)	2)	2)	2)		
	450 ¹⁾	2)	2)	2)	2)	2)	2)	2)	2)	2)	2)		
	500	2)	2)	2)	2)	2)	2)	—	—	—	—		
	550	2)	2)	2)	2)	2)	2)	—	—	—	—		
	600	2)	2)	2)	2)	2)	2)	—	—	—	—		

dimensions in cm

- 1) = tracfix (optional). Only available with motor
- 2) = meets wind resistance class 2, all other sizes meet wind resistance class 3
- 3) = from an extension of 281 cm
- H = extension
- [...]= dimensions in the case of tracfix units

-  = 2 brackets
-  = 3 brackets
-  = 3 brackets, 1 stainless steel cover support wire

Operation	standard	optional
crank handle	✓ ¹⁾	—
hard-wired motor	✓ ²⁾	—
silentec motor (optionally with an external io / RTS receiver ¹⁾)	—	—
radio-controlled motor io, 868 MHz	—	✓
radio-controlled motor RTS, 433 MHz	—	✓

- 1) Not with tracfix
- 2) With tracfix

Coupled awnings

not available

Shadeplus	standard	optional
height depends on fabric pattern, see table "Shadeplus cover"		
awning fixture width minimum 201 cm – maximum 500 cm		
crank handle	✓	—
hard-wired motor	—	—
radio-controlled motor io, 868 MHz	—	—
radio-controlled motor RTS, 433 MHz	—	—

Optional accessories

- tracfix – cover guidance system holding the cover neatly in the guide rails
- shadeplus, manual
- LED-Line attached to the guide tracks
- LED-Line in the cover support tube ¹⁾
- LED-Spots in the cover support tube ¹⁾
- LED-Spots on the cassette
- LED-Line in the cassette
- infrared heater 2500 W
- infrared heater 2500 W with integrated radio-controlled receiver 868 MHz io
- automatic controls (light, wind, rain)

N.B. Important background information can be found in the chapter "Optional Accessories"

- 1) LED-Line and LED-Spots cannot be combined with one another

01 **sunvas** Fabric pattern 301.. / 309.. – 315.. **smart art** 340..
 02 **transolair** 339.. **sun silk** 324.. / 325.. / 328.. / 369..
 03 **perla FR** 371..³⁾ / 372..³⁾

Fabric width 120 cm

		Awning fixture width										
		150	200	250	300	350	400	450	500	550	600	
AH	tracfix 1)	150										
		200										
		250										
		300										
		350										
		400										
		450										
		500										
		550										
		600										

07 3) Only available with tracfix

08 **sunvas** Fabric pattern 31008²⁾, -09²⁾, -13, -16, -18, -25, -27, -28, -31, -36, -37, -57, -58, 31109, -14, -17
 Fabric width 250 cm

		Awning fixture width									
		150	200	250	300	350	400	450	500	550	600
AH	tracfix 1)	150									
		200									
		243									
		300				2)	2)	2)			
		350				2)	2)	2)			
		400				2)	2)	2)			
		450				2)	2)				
		500				2)	2)				
		550				2)	2)				
		600				2)	2)				

12 2) also available in fabric width 320 cm – then seamless

15 **sunbow** Fabric pattern 411.. - 427..
 Fabric width 120 cm


		Awning fixture width									
		150	200	250	300	350	400	450	500	550	600
AH	tracfix 1)	150									
		200									
		250									
		300									
		350	3)	3)	3)	3)	3)	3)	3)	3)	3)
		400	3)	3)	3)	3)	3)	3)	3)	3)	3)
		450									
		500									
		550									
		600									

19 3) Only in tracfix units


Note: The maximum width of the outer panels in tracfix systems with vertical panel joints is 35 cm

 = vertical panel joints

(panel width approx. 120 cm)

 = seamless

 = horizontal panel joint(s)

 = not available

AH = unit height

1) = optional

dimensions in cm

transolair Fabric pattern 338..
Fabric width 250 cm

		Awning fixture width										
		150	200	250	300	350	400	450	500	550	600	
AH	tracfix 1)	150										
		200										
		243										
		300										
		350										
		400										
		450										
		500										
		550										
		600										

perfortex Fabric pattern 331.. / 332..
Fabric width 120 cm

		Awning fixture width										
		150	200	250	300	350	400	450	500	550	600	
AH	tracfix 1)	150										
		200										
		250										
		300										
		350										
		400										
		450										
		500										
		550										
		600										

Serge 600(only available with tracfix) Fabric pattern 272..
Fabric width 250 cm

		Awning fixture width										
		150	200	250	300	350	400	450	500	550	600	
AH	tracfix 1)	150										
		200										
		250										
		300										
		350										
		400										
		450										
		500										
		550										
		600										

Soltis Perform 92 Fabric pattern 277..
Fabric width 177 cm

		Awning fixture width										
		150	200	250	300	350	400	450	500	550	600	
AH	tracfix 1)	150										
		180										
		250										
		300										
		350										
		400										
		450										
		500										
		550										
		600										

Note: The maximum width of the outer panels in tracfix systems with vertical panel joints is 35 cm

= vertical panel joints (panel width approx. 120 cm)
 = seamless
 = not available
 = horizontal panel joint(s)
 AH = unit height

1) = optional

dimensions in cm

01
02
03
04
05
06
07
08
09
10
11
12
13
14
15
16
17
18
19

17

	Awning cover	fabric pattern no.	standard	optional
01	sunvas	300..-315..	✓	—
02	sunsilk	324.. / 325.. / 328.. / 369..	✓	—
	sunbow ²⁾	411..-427..	✓	—
03	smart art	340..	—	✓
	perla FR	371.. / 372..	—	✓ ¹⁾
04	perfortex	331.. / 332..	✓	—
	transolair	338..	—	✓
05	transolair (120 cm)	339..	—	✓
	Soltis Perform 92	92-20..	—	✓
06	Serge 600	272..	—	—

1) Only in tracfix units

2) Up to max. 400 cm projection available, without tracfix up to max. 300 cm projection available

	shadeplus / drop valance cover¹⁾	fabric pattern no.	standard	optional	Awning fixture width	height	tailored cloth
11	sunvas	309.. / 310.. / 311..	✓	—	≤ 500	210	QN
12	sunsilk	324.. / 325..	✓	—	≤ 500	210	QN
	sunbow	411.. / 414.. / 421.. / 424..	✓	—	≤ 500	210	QN
13	transolair	338..	—	✓	≤ 500	210	N
	transolair (120 cm)	339..	—	✓	≤ 500	210	QN
14	Soltis Perform 92	92-20..	—	✓	≤ 500	210	QN
	Serge 600	272..	—	—			
15	perfortex	331.. / 332..	—	—			
	perla FR	371.. / 372..	—	—			

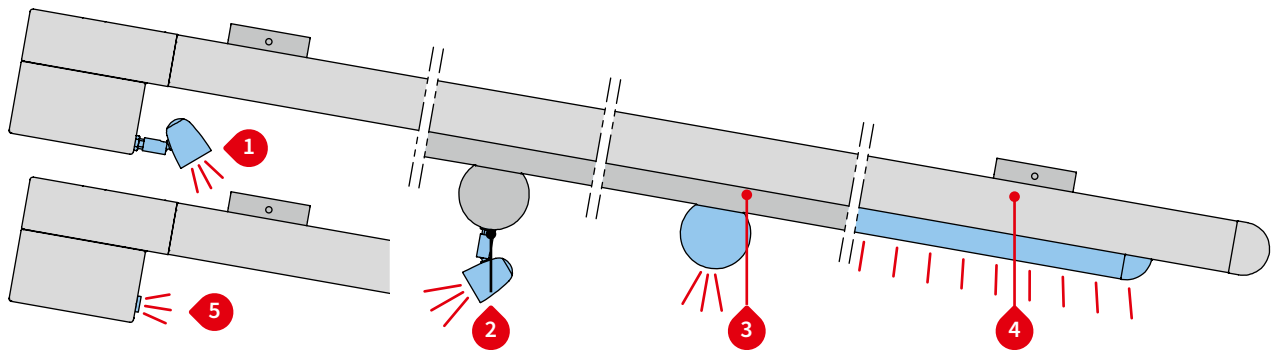
1) Shadeplus cover is narrower than the awning cover

N = Seamless

QN = horizontal seam(s)

Only available in plain seamless fabrics (oversized, fabric width > 120 cm) or in plains with a horizontal joint (fabric width 120 cm)

Lighting options



Lighting options

- 1 LED-Spots on the cassette
- 2 LED-Spots attached to the cover support tube ¹⁾
- 3 LED-Line in the cover support tube ¹⁾
- 4 LED-Line attached to the guide tracks
- 5 LED-Line in the cassette

For combination possibilities please view section "Dimension overview lighting options"

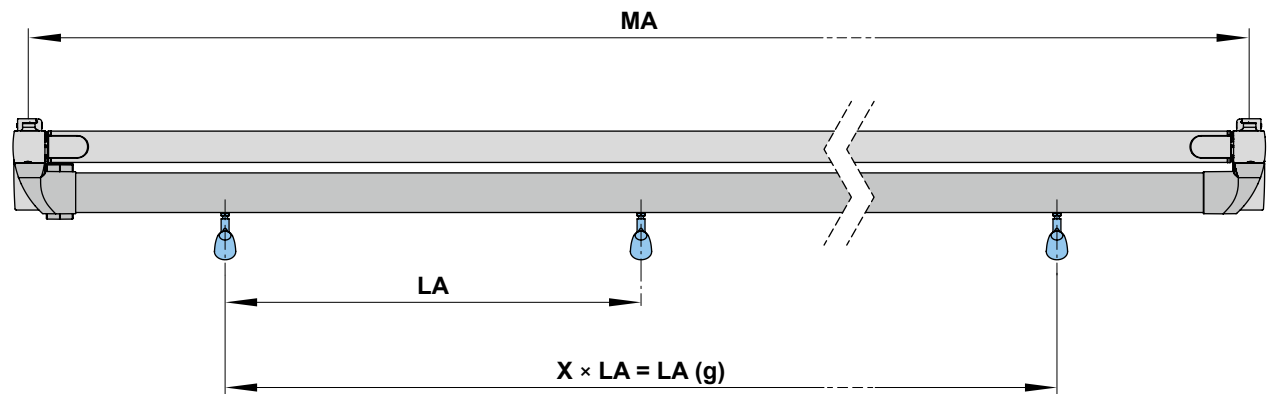
1) LED-Line and LED-Spots cannot be combined with one another

Controls

	standard	optional
on/off switch	—	✓
radio-controlled dimmer io 868 MHz	✓	—
radio-controlled dimmer RTS 433 MHz	—	✓

Distribution of the LED-Spots

1 and 2 in the cassette and in the cover support tube



Awning fixture width	no. of spots	LA	LA (g)
150–250	3	65	130
251–300	3	98	196
301–350	3	98	196
351–400	4	98	294
401–450	4	98	294
451–500	5	98	392
501–550	5	98	392
551–600	6	98	490

dimensions in cm

- LA = distance between the spots
- LA (g) = distance between the spotlights (total)
- MA = order dimension = awning fixture width = fixture width

01
02
03
04
05
06
07
08
09
10
11
12
13
14
15
16
17
18
19



01

1 and **2** in the cassette and in the cover support tube

02

Technical specification

03

operating voltage	230 V, 50 Hz
-------------------	--------------

04

power output of one LED spotlight	5 W
-----------------------------------	-----

05

light source	LED (12 V)
--------------	------------

06

number of transformers	1 unit
------------------------	--------

07

light temperature	warm white
-------------------	------------

08

IP protection class	IP 44
---------------------	-------

09

service life	approx. 20.000 h
--------------	------------------

10

11

12

3 and **4**, **5** LED-Line in the cover support tube, in the guide tracks and in the cassette

13

Technical specification

14

operating voltage	230 V, 50 Hz
-------------------	--------------

15

power output per metre	10 W / m
------------------------	----------

16

light source	LED (12 V)
--------------	------------

17

number of LEDs	120 units / m
----------------	---------------

18

number of transformers	1 unit
------------------------	--------

19

light temperature	warm white
-------------------	------------

20

IP protection class	IP 44
---------------------	-------

21

service life	approx. 15.000 h
--------------	---------------------

22

23

24

25

Fixtures, fittings and accessories

flat track bracket
fixture type 10 and 15

78548.

double track bracket
plate
2 single units

73627.

additional angled
bracket for the
bearing, gearbox and
motor sides
50 × 50 × 80 mm
fixture type 15

78719.

accessories
for two angled brackets
78719.

787211

track bracket, with
adjustable head
80 mm
fixture type 20

73624.

double track bracket
with adjustable head
80 mm
central bracket for 2
single units next to
each other

73631.

windmill track bracket
80 mm

73629.

track bracket, with
adjustable head
100 mm

76046.

double track bracket
with adjustable head
100 mm
central bracket for 2
single units next to
each other

73634.

windmill track bracket
100 mm

76054.

track bracket with offset
footplate
100 mm

76199.

track bracket, with
adjustable head
140 mm

76048.

double track bracket
with adjustable head
140 mm
central bracket for 2
single units next to
each other

73636.

covering cap
for square track bracket
standard accessory for
bracket

2 × 76718.

01
02
03
04
05
06
07
08
09
10
11
12
13
14
15
16
17
18
19

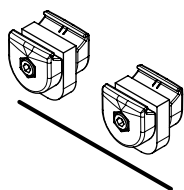
01 **Fixtures, fittings and accessories**

02

03

04

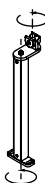
05



sprung bracket with stainless steel cover support wire

included with the delivery

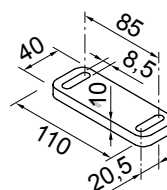
73639. and 771401.



universal track bracket with adjustable head

140-500 mm

76053.



spacer plate for track bracket

110 x 40 x 10 mm

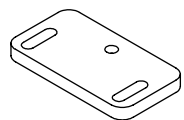
78570.

06

07

08

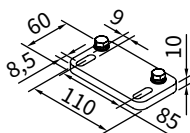
09



adapter plate for track bracket

110 x 60 x 10 mm

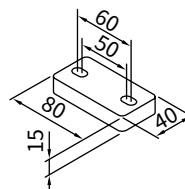
78158.



adapter plate for track bracket

110 x 60 x 10 mm

78165.



spacer plate double track bracket flat

80 x 40 x 15 mm

73742.

10

11

12

13

14

15

16

17

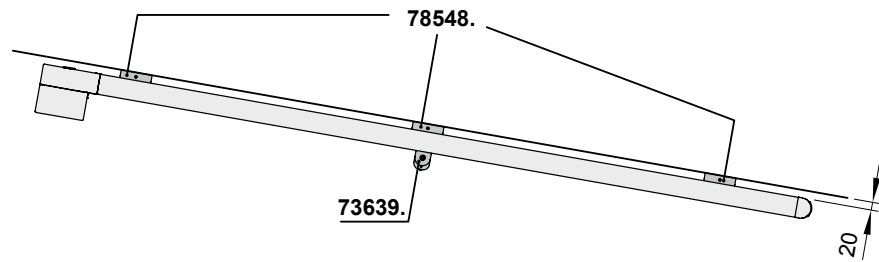
18

19

Fixture types

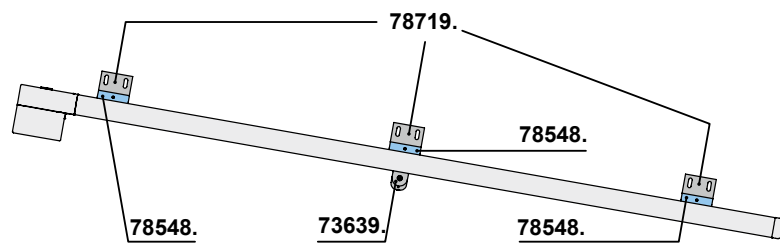
10

Clearance 20 mm



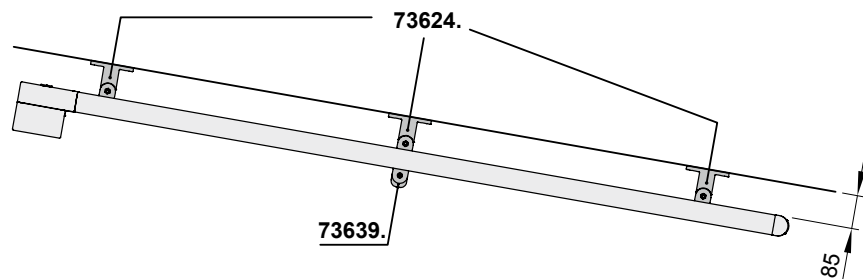
15

By angled bracket to the side



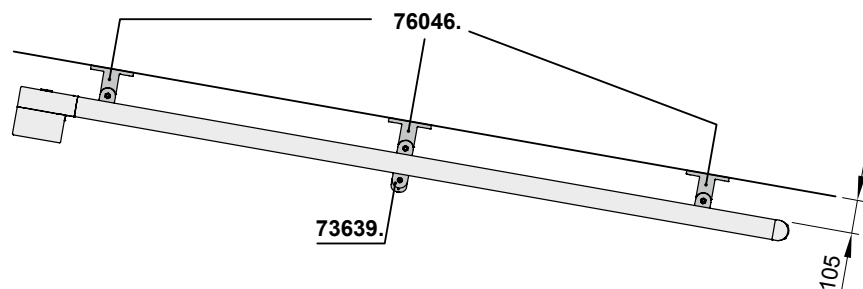
20

Clearance 85 mm



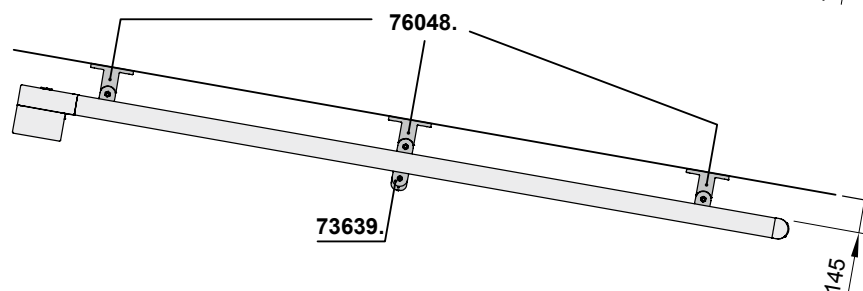
21

Clearance 105 mm



22

Clearance 145 mm



Individual bracket selection:

See "Fixtures, fittings and accessories".

Awning extension > 300 cm, always 3 brackets per guide track.

During extension and retraction the cover may sag.

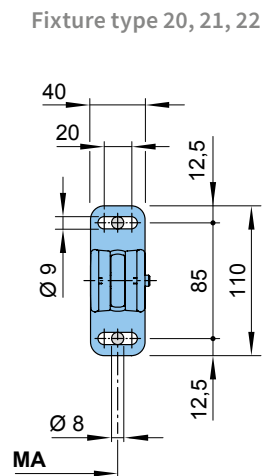
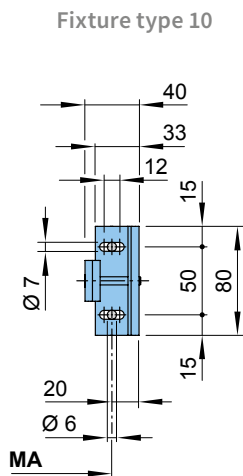
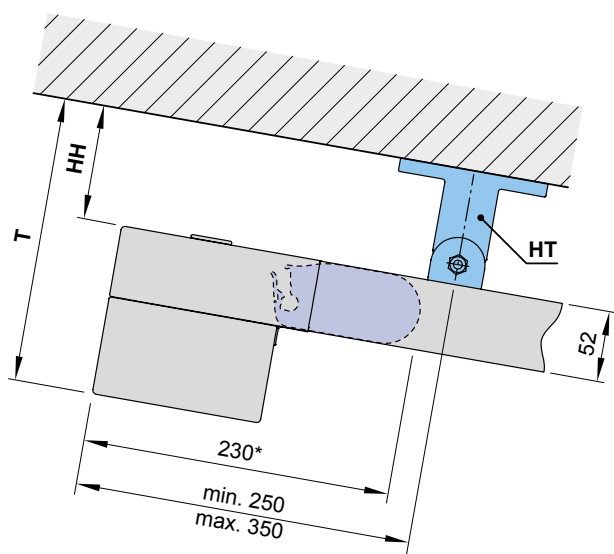
Cover support wires and bracket (73639) are only supplied with the markilux 779 without tracfix.

A bracket should always be placed where these are positioned.

dimensions in mm

Fixture types

Overview of dimensions



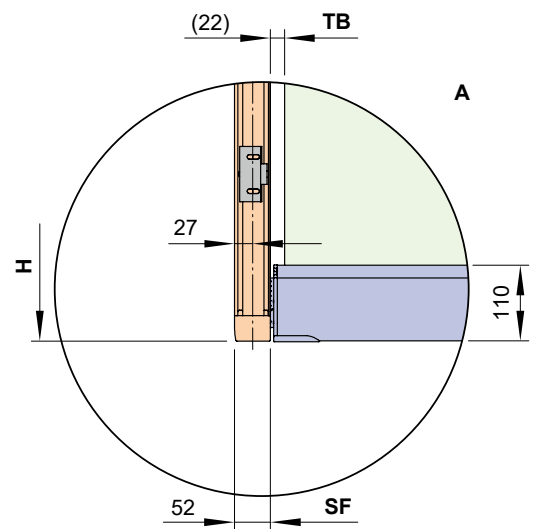
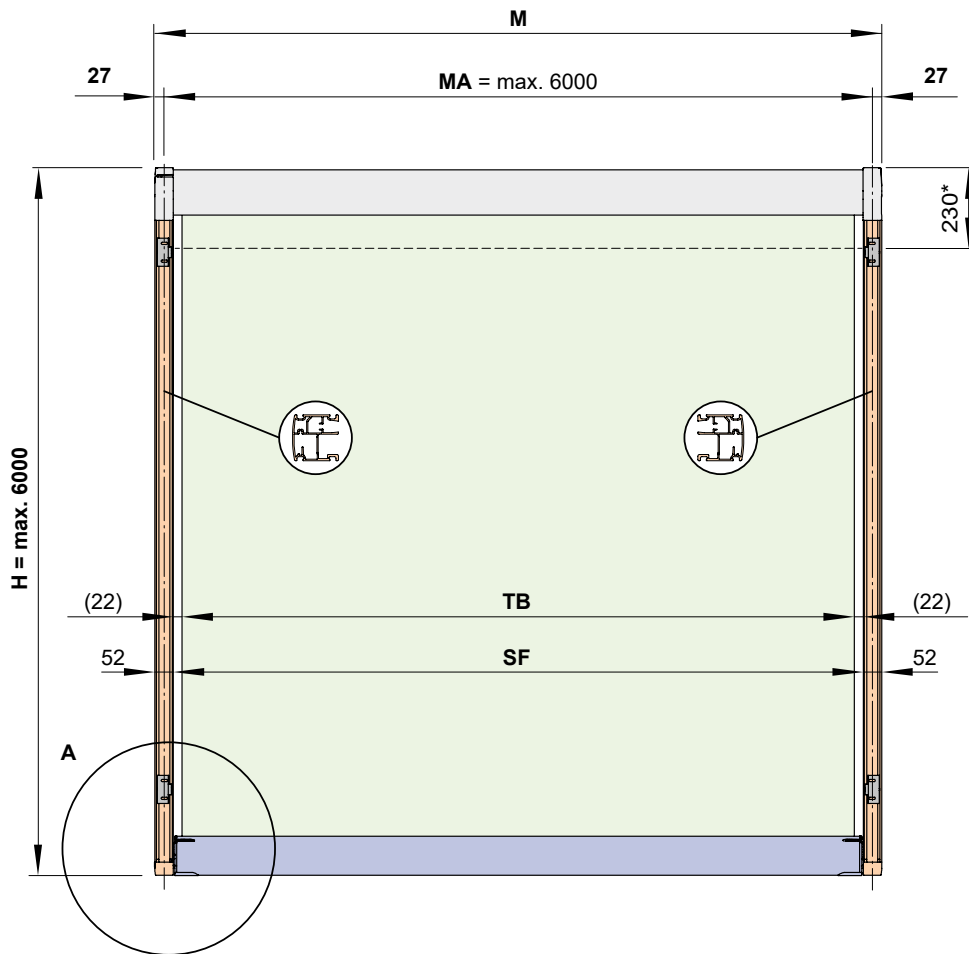
Fixture type 10 Fixture type 20 Fixture type 21 Fixture type 22

HT = bracket	78548.	73624.	76046.	76048.
HH = bracket height	20	85	105	145
T = depth	150	215	235	275

MA = order dimension
 * = extension when retracted

Overview of dimensions

Single unit



- * = extension when retracted
- (...) = gap between cover and guide track (non-tracfix units)
- H** = **order dimension** = extension
- M** = awning width
- MA** = **order dimension** = awning fixture width = fixture width
- SF** = visible cover (in tracfix systems)
- TB** = cover width (in non-tracfix systems)

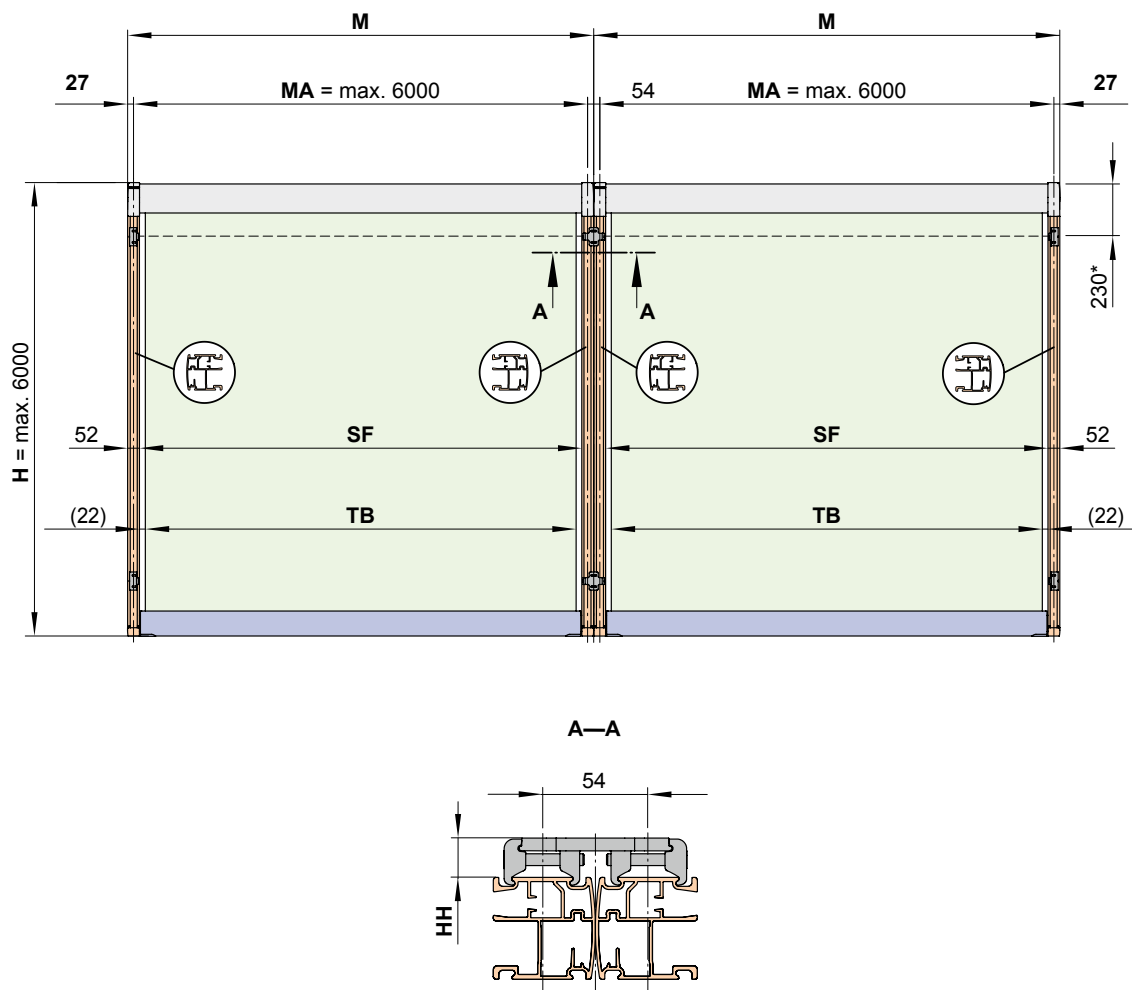
dimensions in mm

01
02
03
04
05
06
07
08
09
10
11
12
13
14
15
16
17
18
19

17

Overview of dimensions

Two single units – fixture via double track brackets

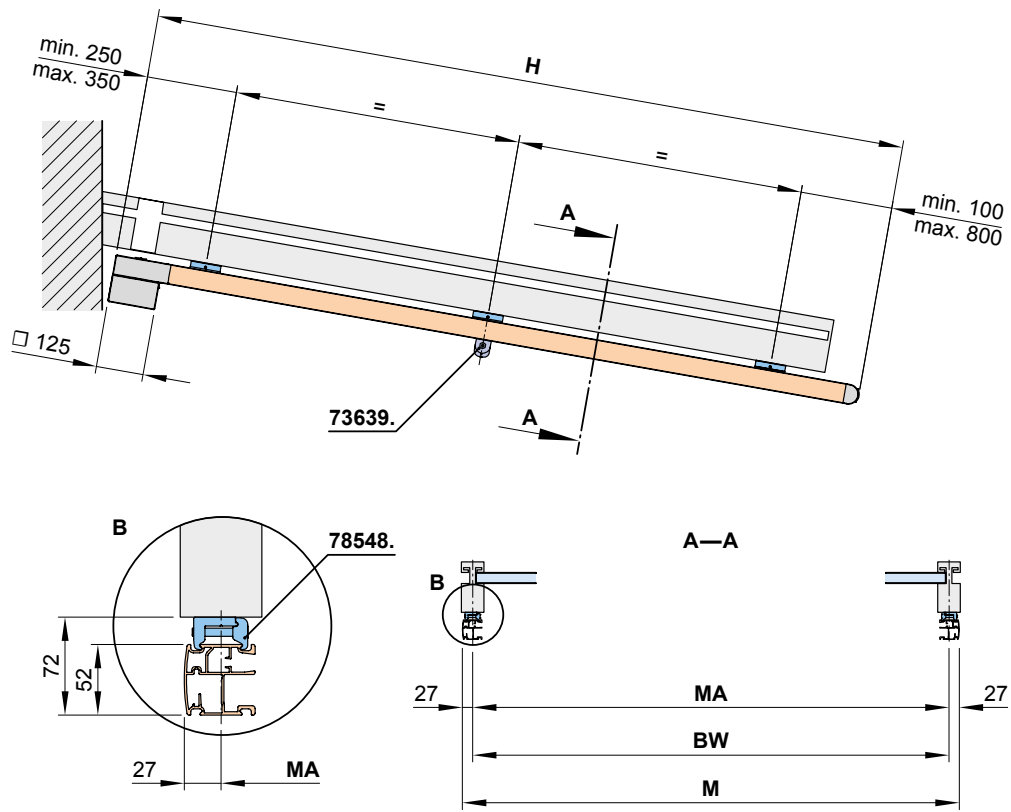


17

- * = extension when retracted
- (...) = gap between cover and guide track (non-tracfix units)
- H = **order dimension** = extension
- HH = bracket height
- M = awning width
- MA = **order dimension** = blind fixture width = fixture width
- SF = visible cover (in tracfix systems)
- TB = cover width (in non-tracfix systems)

dimensions in mm

Dimension overview fixture combination 10

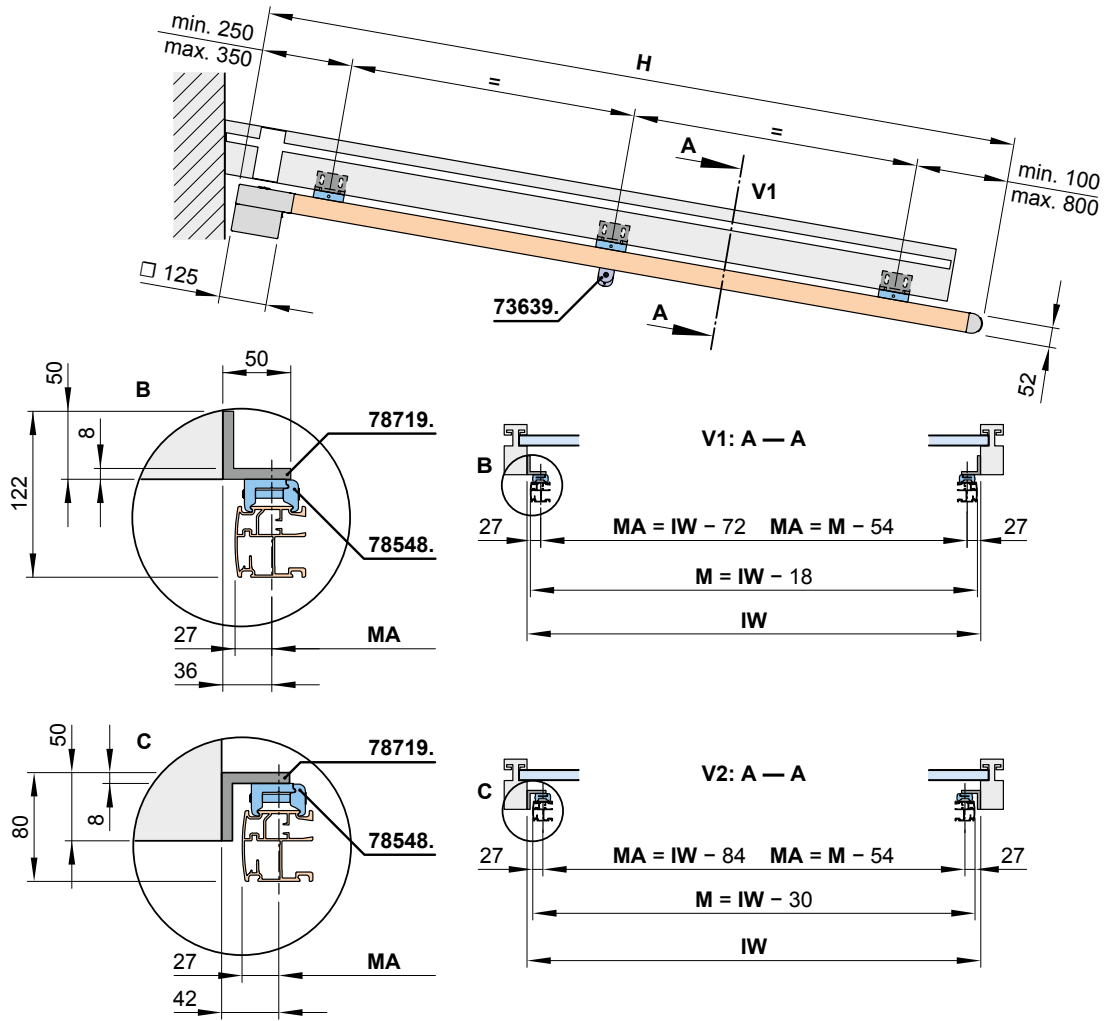


- BW** = width between fixture points on the conservatory
- H** = **order dimension** = extension
- M** = awning width
- MA** = **order dimension** = blind fixture width = fixture width

dimensions in mm

01
02
03
04
05
06
07
08
09
10
11
12
13
14
15
16
17
18
19

Dimension overview fixture combination 15



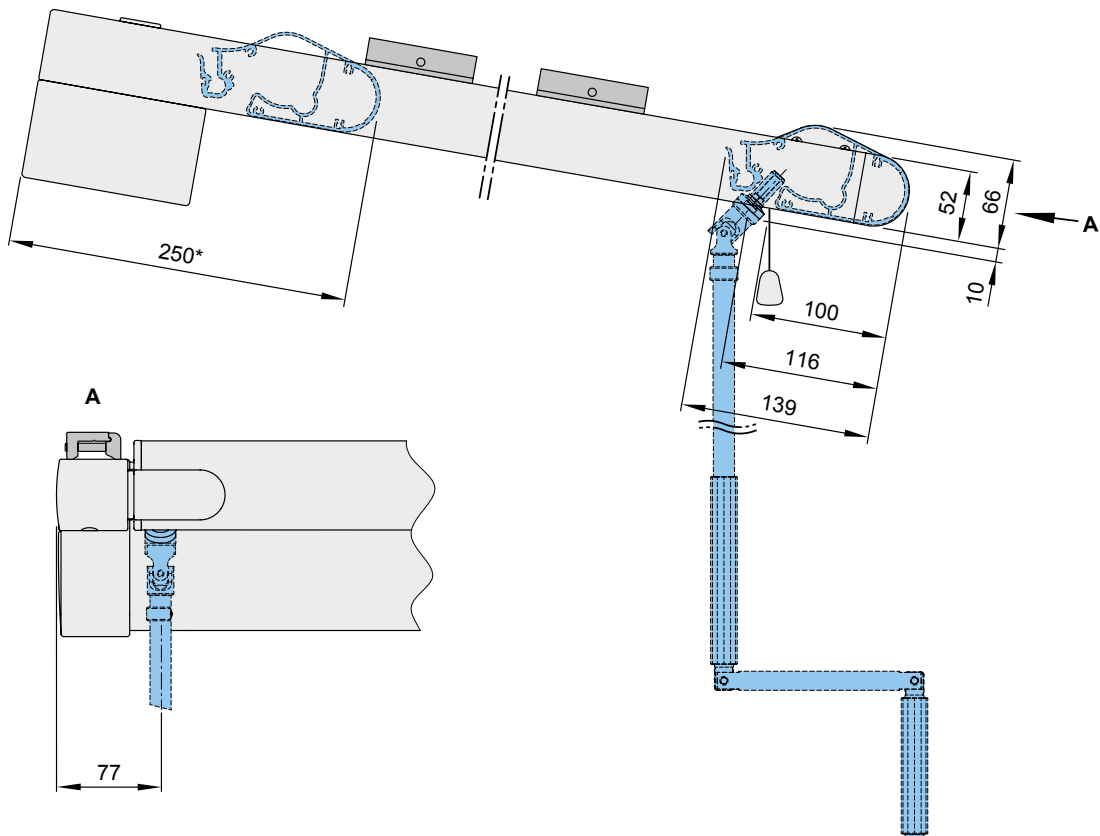
17

- H = **order dimension** = extension
- IW = interior conservatory dimension
- M = awning width
- MA = **order dimension** = blind fixture width = fixture width
- V1, V2 = variants

dimensions in mm

01 **Dimension overview, shadeplus**

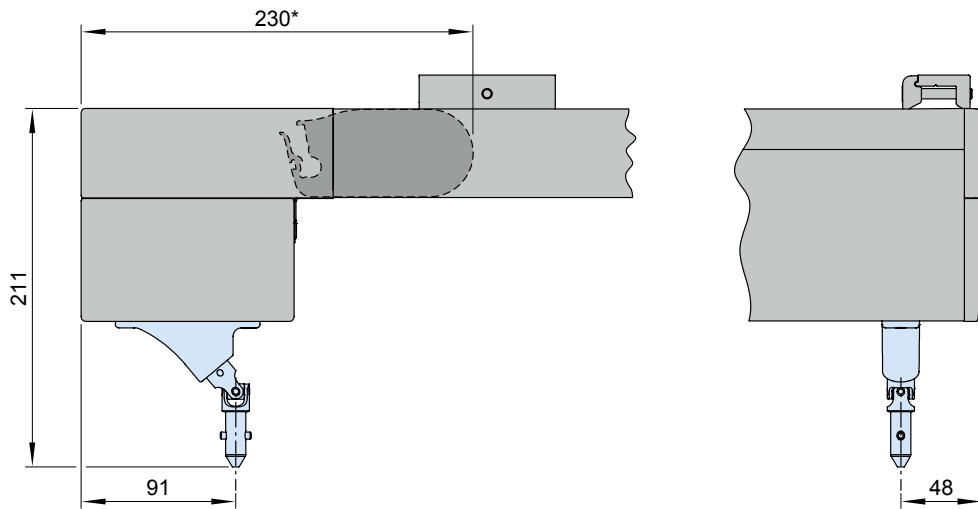
02 Magnetic gearbox operation



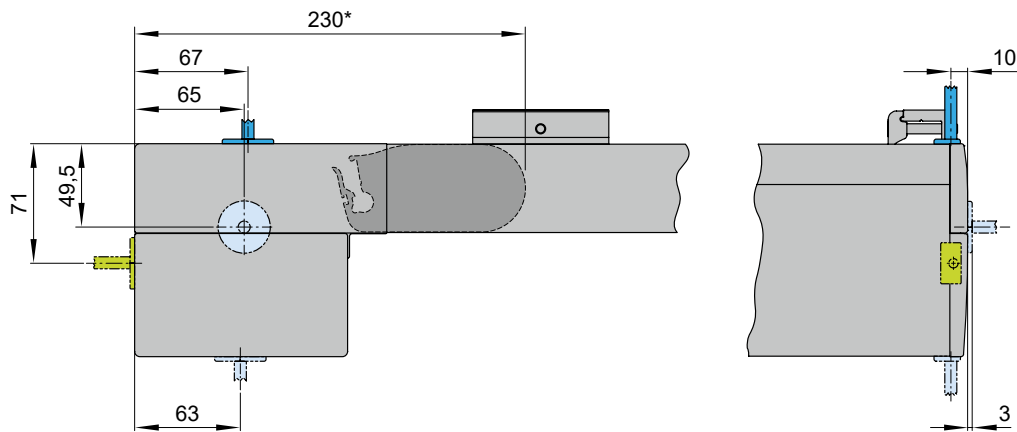
* = extension when retracted

dimensions in mm

Gearbox crank handle position



Motor cable exit point



- * = extension when retracted
- = standard
- = optional
- = optionally with surcharge

dimensions in mm

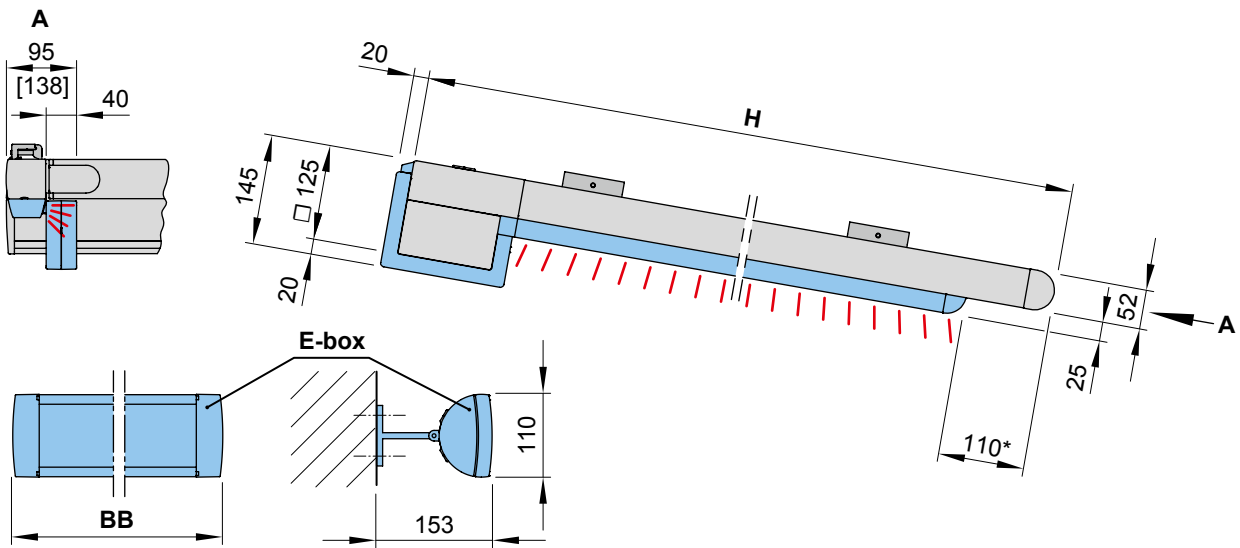
01
02
03
04
05
06
07
08
09
10
11
12
13
14
15
16
17
18
19

17

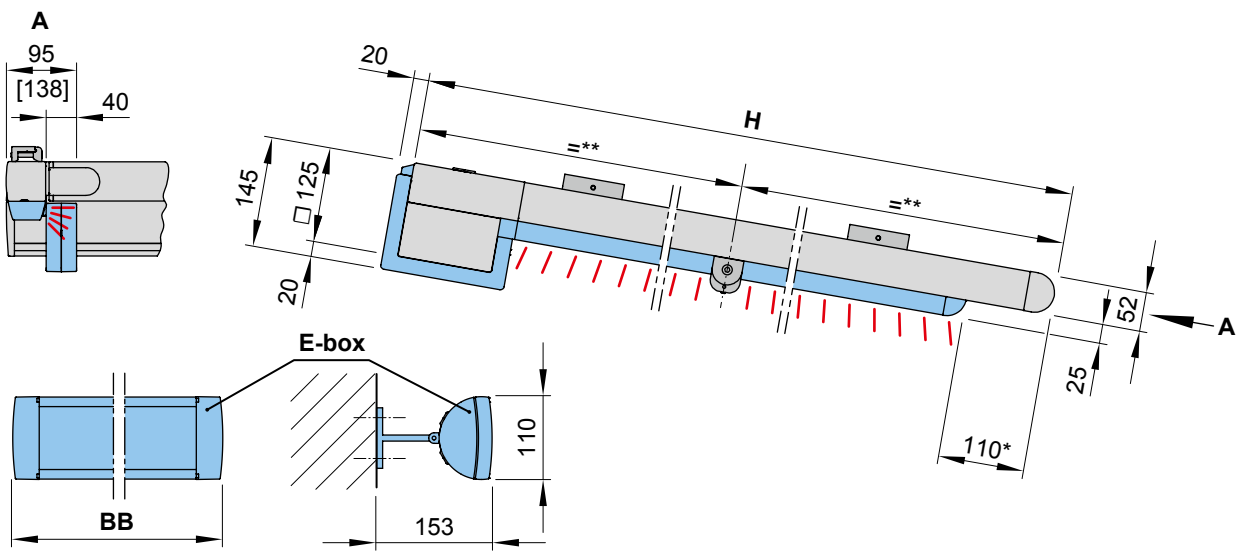
Dimension overview with the various lighting options

Option 1: LED-Line in the guide tracks, electronic components in an E-box

01
02
03
04
05
06
07
08
09
10
11
12
13
14
15
16
17
18
19



Option 1a (from an extension 401 cm): LED-Line in the guide tracks, stainless steel cover support wires, electronic components in an E-box



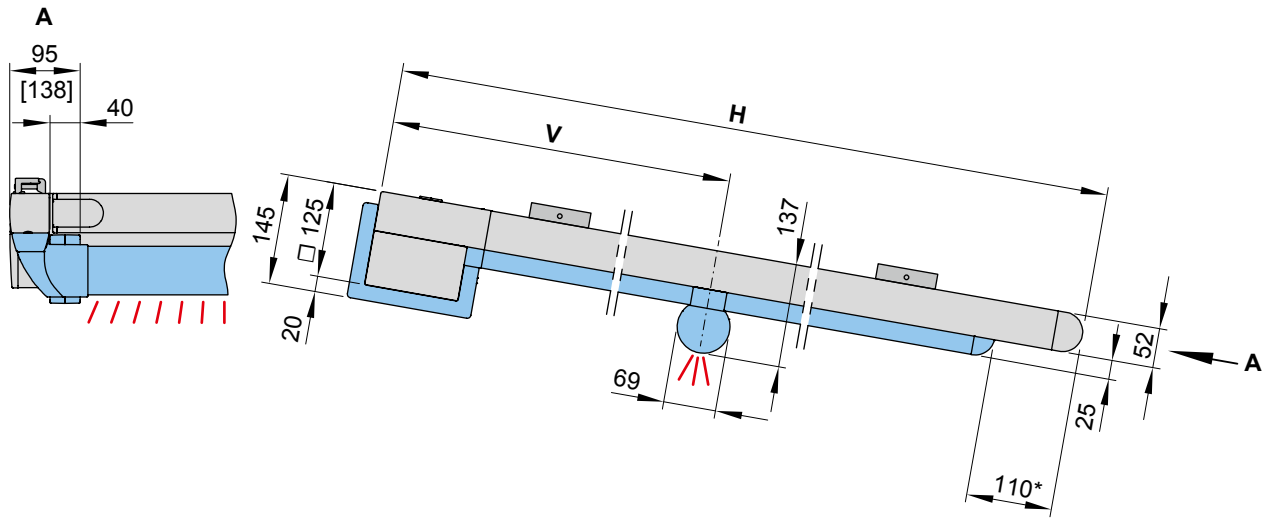
- * = 110 mm standard, 36 mm optional
- ** = cover support wire centred (standard), other positions are possible on request
- [...] = for shadeplus and lighting
- BB = order width
- E-box = see "E-box"
- H = **order dimension** = extension

dimensions in mm

Dimension overview with the various lighting options

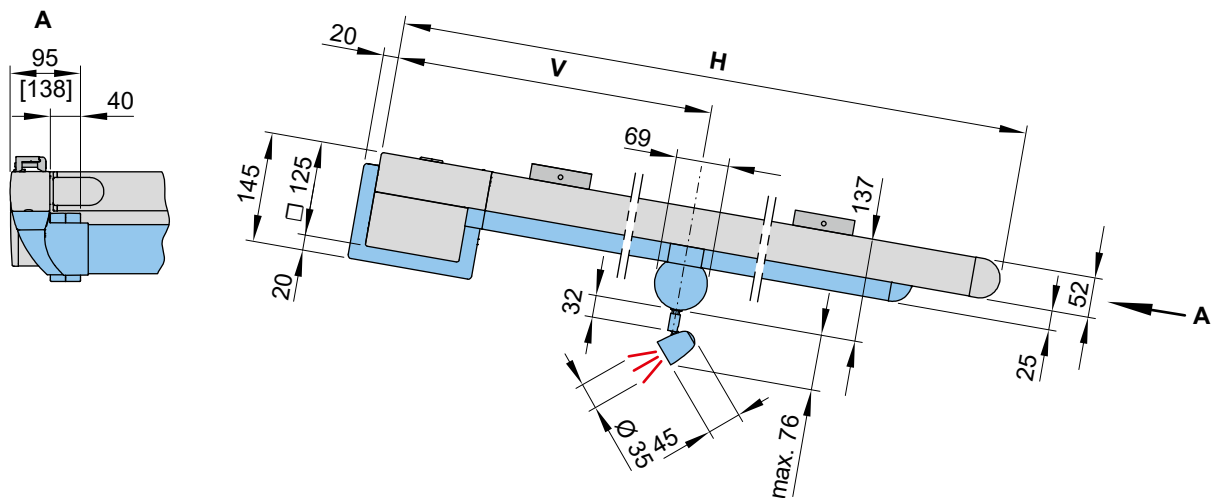
Option 2: LED-Line in the cover support tube, electronic components in the cover support tube

Option 3: LED-Line in the cover support tube and in the guide tracks, electronic components in the cover support tube



Option 6: LED-Spots in the cover support tube, electronic components in the cover support tube

Option 7: LED-Spots in the cover support tube and LED Line in the guide tracks, electronic components in the cover support tube

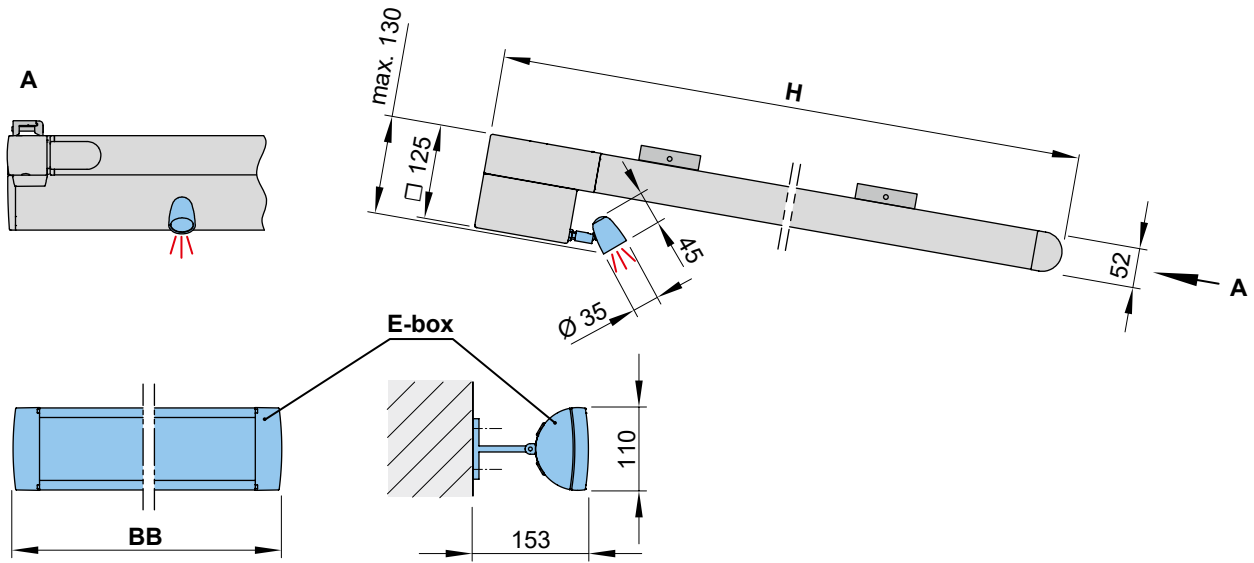


- * = 110 mm standard, 36 mm optional
- [...] = for shadeplus and lighting
- H = **order dimension** = extension
- V = lighting distance from back of cassette. Standard: centred ($V = H \div 2$). optionally this can be stipulated when ordering ($V \text{ min.} = 500 \text{ mm}$. $V \text{ max.} = H - 500 \text{ mm}$)
- Z = distance center of 1. to 2. support tube

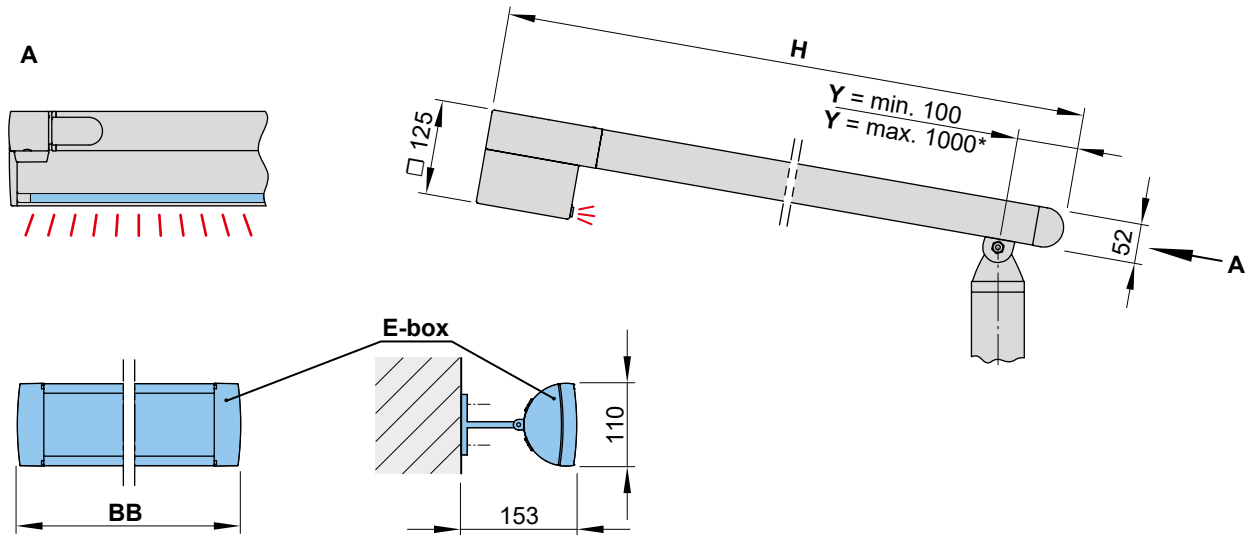
dimensions in mm

Dimension overview with the various lighting options

Option 8: LED-Spots in the cassette (can be combined at will with options 1-9), electronic components in an E-box or in the cover support tube



Option 9: LED-Line in the cassette (can be combined at will with options 1-9), electronic components in an E-box or in the cover support tube

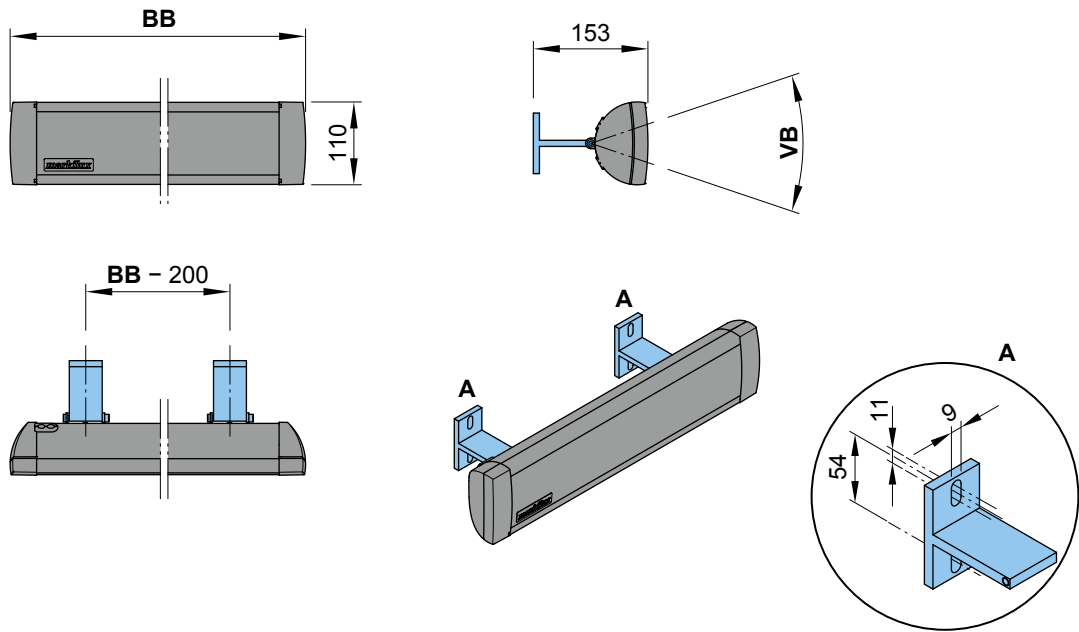


- BB = order width
- E-box = see "E-box"
- H = order dimension = extension

dimensions in mm

E-box

Overview of dimensions



Dimension overview and applications

	Wireless technology		868 MHz io	
	Extension H [cm]		< 330 cm	≥ 330 cm
Lighting options	LED-Line in the guide tracks with or without cover support wire	E-box M 71850. BB = 500 mm	E-box G 71873. BB = 700 mm	
	LED-Spots attached to the cassette or LED-Line recessed into the cassette	E-box M 71850. BB = 500 mm		
	LED-Line below the guide tracks and LED spotlights attached to or LED-Line recessed into the cassette	E-box G 71873. BB = 700 mm	E-box L 71874. BB = 1200 mm	
for independent use	E-box I 71851. BB = to order			

BB = order width
VB = adjustment range

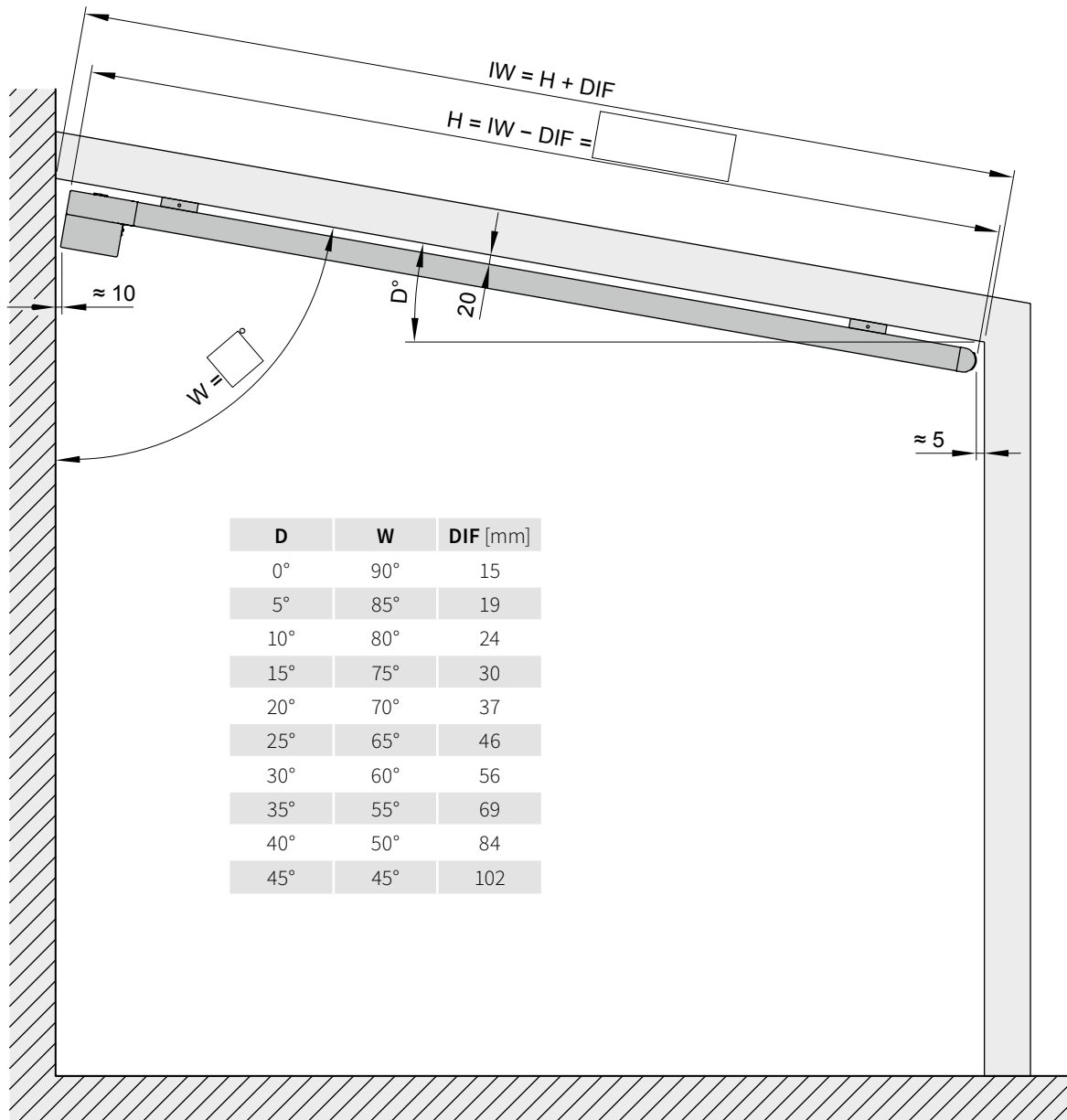
dimensions in mm

01
02
03
04
05
06
07
08
09
10
11
12
13
14
15
16
17
18
19

17

01 **Dimensions for taking measurements**

02 Awning without lighting



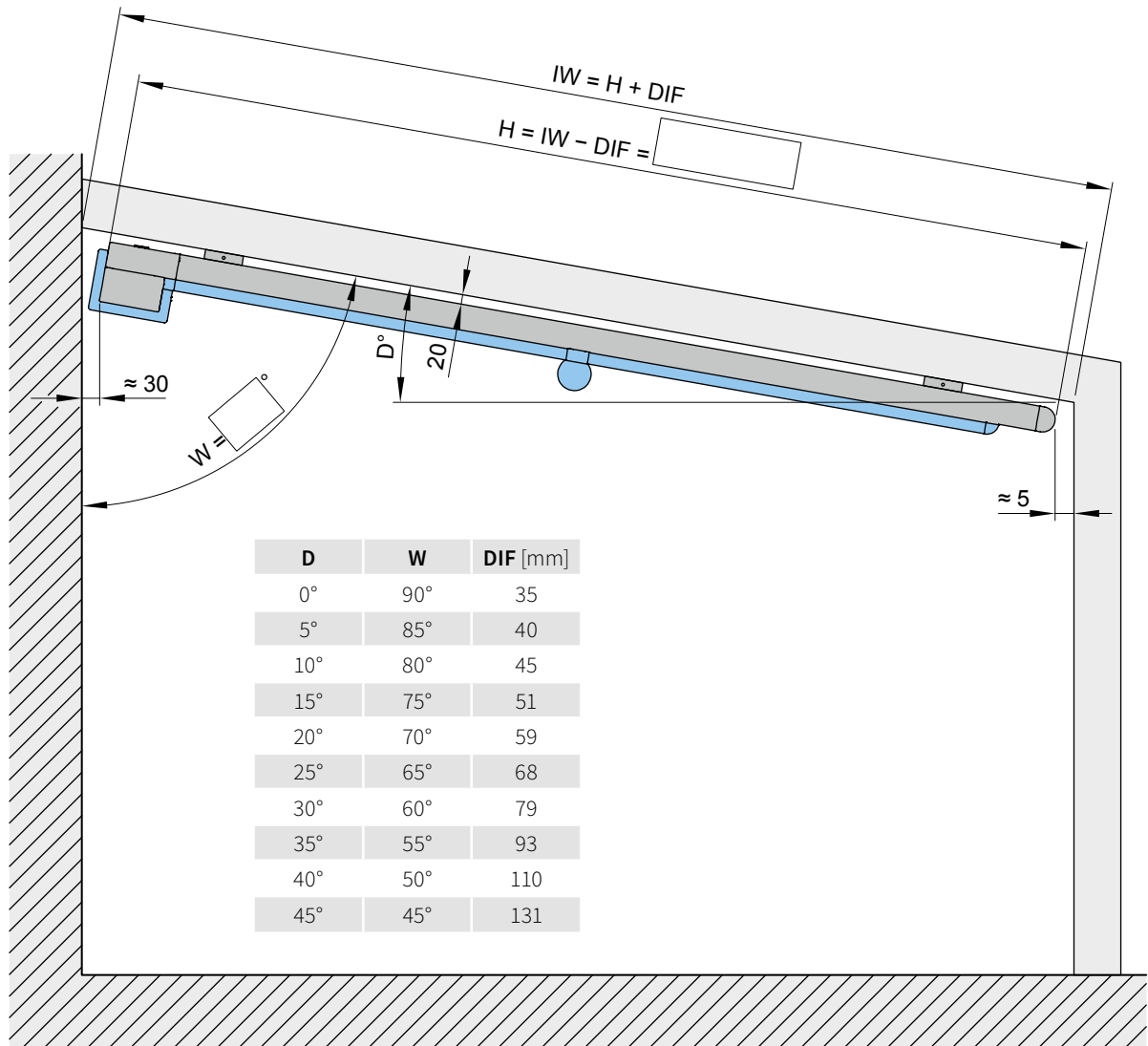
Orders are to be submitted with all the dimensions shown in the diagram!

- D** = roof pitch (in °)
- DIF** = difference interior conservatory measurement to extension H
- H** = **order dimension** = nominal extension = $IW - DIF$ (see table)
- IW** = interior conservatory dimension
- W** = awning pitch (in °)

dimensions in mm

Dimensions for taking measurements

Awning with lighting



Orders are to be submitted with all the dimensions shown in the diagram!

- D** = roof pitch (in °)
- DIF** = difference interior conservatory measurement to extension H
- H** = **order dimension** = nominal extension = IW - DIF (see table)
- IW** = interior conservatory dimension
- W** = awning pitch (in °)

dimensions in mm

01
02
03
04
05
06
07
08
09
10
11
12
13
14
15
16
17
18
19

01

02

03

04

05

06

07

08

09

10

11

12

13

14

15

16

17

18

19