



Vertical cassette blind

markilux 876 / 876 tracfix

The perfect sun protection solution which also maintains your privacy – the tensioned vertical cassette blind that can shade large surface areas.



reddot design award
winner 2017



markilux
safe timeless beautiful

01
02
03
04
05
06
07
08
09
10
11
12
13
14
15
16
17
18
19

Product Characteristics

Wind resistance class 2 | 3 (depending on size)
Beaufort 5 → 28–37 km/h → 7.5–10.4 m/s → 17–23 mph |
Beaufort 6 → 38–48 km/h → 10.5–13.4 m/s → 24–30 mph

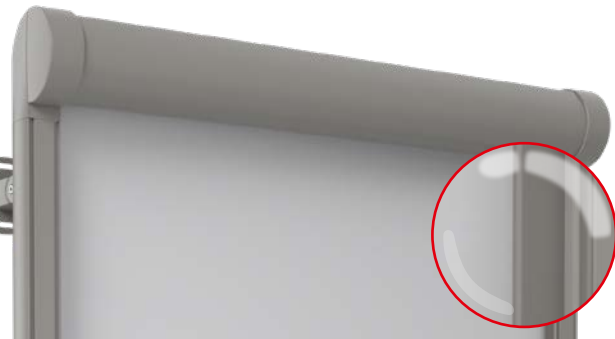
side view: motor drive, flat track bracket

side view: crank handle operation, flat track bracket



tracfix cover guidance – no gap between cover and track ¹⁾
track bracket 80 mm

reveal fixture using angled bracket (fixture type 15)



when extended, the front profile finishes flush with the end of the guide tracks

fitted to a round markilux syncra post as seen from inside



fitted to a markilux pergola post viewed from inside



1) Optional accessories

Product Characteristics

Description

- underglass awning with attractively shaped, round cassette and harmoniously matched guide tracks. The ingenious tensioning system and the sturdy design allow areas of up to 24 m² to be shaded

Special features

- fully encompassing cassette that protects the cover perfectly
- tried and tested tensioning system with drive belts and integrated gas pistons – delivers optimum cover tension in any phase of extension
- tracfix optional: the continuous lateral cover guidance system that leaves no gap between the cover and guide tracks – gives improved wind stability and a cleaner appearance
- panorama window optional, the transparent window made of a special foil that makes a perfect view both in and out possible – for both private and commercial applications
- the broad range of brackets with patented clip-on system offers individual fixture solutions, from discrete to conspicuous
- can be combined perfectly with other markilux awning systems

Dimensions

- single unit: 60–600 cm in width, maximum unit height 600 cm (depending on the width)
- maximum dimensions, width × unit height: 400 × 600 cm / 500 × 450 cm / 550 × 400 cm / 600 × 350 cm (without tracfix)
- maximum dimensions, width × unit height: 550 × 400 cm / 600 × 350 cm (with tracfix)
- intermediate sizes are available

Roller tube and lateral bearings

- round roller tube Ø 85 mm with keyway, galvanised steel – excellent stability, ensures near perfect cover performance even at the largest widths
- the roller tube bearing is made of stainless steel

Awning profiles

- extruded aluminium, in façade quality, powder coated
- cassette profile in two pieces, round, Ø 130 mm
- guide tracks angular, rounded edges, width × depth 52 mm × 52 mm
- front profile rounded on the underside, smooth appearance, height × depth 110 mm × 52 mm

End caps

- the cassette end caps are made of die-cast aluminium, in two parts, powder coated
- the front profile end caps are made of high-quality plastic, powder coated

Fixture brackets

- extruded aluminium, powder coated
- self-supporting cassette on guide tracks
- brackets for the guide tracks: face fixture, reveal fixture, post fixture (post of the markilux pergola with fixed posts / markilux syncra)
- standard bracket heights: 20 mm / 85 mm / 105 mm / 145 mm (bespoke heights can be ordered)

01

02

03

04

05

06

07

08

09

10

11

12

13

14

15

16

17

18

19

01 **Frame colours**

02 markilux frame colours without surcharge

03 traffic white, RAL 9016



metallic aluminium, RAL 9006



grey brown, similar to RAL 8019



04

05

06

07 off-white textured finish, 5233 ¹⁾stone grey metallic, 5215 ¹⁾anthracite metallic, 5204 ¹⁾

08

09

10

11

12 havana brown textured finish, 5229 ¹⁾

13

14

15

16

17

18 **Non-standard powder-coated finish**

Bespoke frame colours incur a surcharge – matt, metallic, finely textured and pearl finishes as well as other colour ranges (DB, Tiger etc.) on request. All frame colours are available at a surcharge with enhanced corrosion protection.

Colours may differ slightly from those depicted in both hue and finish.

19

19

1) textured finish

Dimensions and configuration options

Single unit

		Awning fixture width									Minimum fixture width		
		150	200	250	300	350	400	450	500	550	600	Hard-wired motor	Radio-controlled motor
Order dimensions		60 150	151 200	201 250	251 300	301 350	351 400	401 450	451 500	501 550	551 600		
Overall width		+ 5,4											
AH	150 ¹⁾											60 / 72 ¹⁾	70 / 82 ¹⁾
	200 ¹⁾												
	250 ¹⁾									2)			
	300 ¹⁾								2)	2)	2)		
	350 ¹⁾						2)	2)	2)	2)	2)		
	400 ¹⁾	2)	2)	2)	2)	2)	2)	2)	2)	2)	—	107 ³⁾	107 ³⁾
	450	2)	2)	2)	2)	2)	2)	2)	2)	—	—		
	500	2)	2)	2)	2)	2)	2)	—	—	—	—		
	550	2)	2)	2)	2)	2)	2)	—	—	—	—		
600	2)	2)	2)	2)	2)	2)	—	—	—	—			

dimensions in cm

- 1) = tracfix (optional). Only available with motor
 - 2) = meets wind resistance class 2, all other sizes meet wind resistance class 3
 - 3) = from a unit height of 281 cm
 - AH = unit height
- = 2 brackets per track
 = 3 brackets per track

Operation	standard	optional
crank handle, outside	✓ ¹⁾	—
crank handle, at the rear	—	—
crank handle, internal operation	—	—
hard-wired motor	✓ ²⁾	✓
radio-controlled motor io, 868 MHz	—	✓
radio-controlled motor RTS, 433 MHz	—	✓

- 1) Not with tracfix
- 2) With tracfix

Coupled awnings
not available

Awning cover	fabric pattern no.	standard	optional
sunvas	300..–315..	✓	—
sunsilk	324.. / 325.. / 328.. / 369..	✓	—
sunbow ²⁾	411..–427..	✓	—
smart art	340..	—	✓
perla FR	371.. / 372..	—	✓ ¹⁾
perfortex	331.. / 332..	✓	—
transolair	338..	—	✓
transolair (120 cm)	339..	—	✓
Soltis Perform 92	92–20..	—	✓
Serge 600	272..	—	✓ ¹⁾

- 1) Only in tracfix units
- 2) Up to max. 400 cm projection available, without tracfix up to max. 300 cm projection available

Optional accessories

- tracfix – cover guidance system holding the cover neatly in the guide rails
- flexible panorama window, only available in combination with tracfix
- automatic controls (light, wind, rain)

N.B. Important background information can be found in the chapter “Optional Accessories”.

01 **sunvas** Fabric pattern 301.. / 309.. - 315.. **smart art** 340..
transolair 339.. **sun silk** 324.. / 325.. / 328.. / 369..
perla FR 371..³⁾ / 372..³⁾
 02 Fabric width 120 cm

03

		Awning fixture width									
		150	200	250	300	350	400	450	500	550	600
AH	tracfix 1)	150									
		200									
		250									
		300									
		350									
		400									
		450									
		500									
		550									
		600									

08 **sunvas** Fabric pattern 31008²⁾, -09²⁾, -13, -16, -18, -25, -27, -28, -31, -36, -37, -57, -58, 31109, -14, -17
 09 Fabric width 250 cm

10

		Awning fixture width									
		150	200	250	300	350	400	450	500	550	600
AH	tracfix 1)	150									
		200									
		243									
		300				2)	2)	2)			
		313				2)	2)	2)			
		400				2)	2)				
		450				2)	2)				
		500				2)	2)				
		550				2)	2)				
		600				2)	2)				

12 2) also available in fabric width 320 cm – then seamless

15 **sunbow** Fabric pattern 411.. - 427..
 16 Fabric width 120 cm

17

		Awning fixture width									
		150	200	250	300	350	400	450	500	550	600
AH	tracfix 1)	150									
		200									
		250									
		300									
		350	3)	3)	3)	3)	3)	3)	3)	3)	3)
		400	3)	3)	3)	3)	3)	3)	3)	3)	
		450									
		500									
		550									
		600									

19 3) Only in tracfix units

Note: The maximum width of the outer panels in tracfix systems with vertical panel joints is 35 cm

= vertical panel joints (panel width approx. 120 cm)
 = seamless
 = not available
 = horizontal panel joint(s)
 AH = unit height

1) = optional

dimensions in cm

transolair Fabric pattern 338..
Fabric width 250 cm

		Awning fixture width									
		150	200	250	300	350	400	450	500	550	600
AH	tracfix 1)	150	200	250	300	350	400	450	500	550	600
	tracfix 1)	200	250	300	350	400	450	500	550	600	
	tracfix 1)	250	300	350	400	450	500	550	600		
	tracfix 1)	300	350	400	450	500	550	600			
	tracfix 1)	350	400	450	500	550	600				
	tracfix 1)	400	450	500	550	600					
	tracfix 1)	450	500	550	600						
	tracfix 1)	500	550	600							
	tracfix 1)	550	600								
	tracfix 1)	600									

perfortex Fabric pattern 331.. / 332..
Fabric width 120 cm

		Awning fixture width									
		150	200	250	300	350	400	450	500	550	600
AH	tracfix 1)	150	200	250	300	350	400	450	500	550	600
	tracfix 1)	200	250	300	350	400	450	500	550	600	
	tracfix 1)	250	300	350	400	450	500	550	600		
	tracfix 1)	300	350	400	450	500	550	600			
	tracfix 1)	350	400	450	500	550	600				
	tracfix 1)	400	450	500	550	600					
	tracfix 1)	450	500	550	600						
	tracfix 1)	500	550	600							
	tracfix 1)	550	600								
	tracfix 1)	600									

Serge 600(only available with tracfix) Fabric pattern 272..
Fabric width 250 cm

		Awning fixture width									
		150	200	250	300	350	400	450	500	550	600
AH	tracfix 1)	150	200	250	300	350	400	450	500	550	600
	tracfix 1)	200	250	300	350	400	450	500	550	600	
	tracfix 1)	250	300	350	400	450	500	550	600		
	tracfix 1)	300	350	400	450	500	550	600			
	tracfix 1)	350	400	450	500	550	600				
	tracfix 1)	400	450	500	550	600					
	tracfix 1)	450	500	550	600						
	tracfix 1)	500	550	600							
	tracfix 1)	550	600								
	tracfix 1)	600									

Soltis Perform 92 Fabric pattern 277..
Fabric width 177 cm

		Awning fixture width									
		150	180	250	300	350	400	450	500	550	600
AH	tracfix 1)	150	180	250	300	350	400	450	500	550	600
	tracfix 1)	200	250	300	350	400	450	500	550	600	
	tracfix 1)	250	300	350	400	450	500	550	600		
	tracfix 1)	300	350	400	450	500	550	600			
	tracfix 1)	350	400	450	500	550	600				
	tracfix 1)	400	450	500	550	600					
	tracfix 1)	450	500	550	600						
	tracfix 1)	500	550	600							
	tracfix 1)	550	600								
	tracfix 1)	600									

Note: The maximum width of the outer panels in tracfix systems with vertical panel joints is 35 cm

= vertical panel joints (panel width approx. 120 cm)
 = seamless
 = not available
 = horizontal panel joint(s)
 AH = unit height

1) = optional

dimensions in cm

01

02

03

04

05

06

07

08

09

10

11

12

13

14

15

16

17

18

19

Fixtures, fittings and accessories

Accessories

01
02
03
04
05
06
07
08
09
10
11
12
13
14
15
16
17
18
19

flat track bracket
fixture type 10 and 15

78548.

double track bracket
plat
2 single units

73627.

additional angled
bracket for the
bearing, gearbox and
motor sides
50 x 50 x 80 mm
fixture type 15

78719.

track bracket, with
adjustable head
80 mm
fixture type 20

73624.

double track bracket
with adjustable head
80 mm
central bracket for 2
single units next to
each other

73631.

windmill track bracket
80 mm

73629.

track bracket, with
adjustable head
100 mm

76046.

double track bracket
with adjustable head
100 mm
central bracket for 2
single units next to
each other

73634.

windmill track bracket
100 mm

76054.

track bracket, with
adjustable head
140 mm

76048.

double track bracket
with adjustable head
140 mm
central bracket for 2
single units next to
each other

73636.

universal track bracket
with adjustable head
140-500 mm

76053.

covering cap
for square track bracket
standard accessory for
bracket

2 x 76718.

reduction bolt
M 10 → M 6 / SW 13
30 mm length
pack 10 pcs

8440381

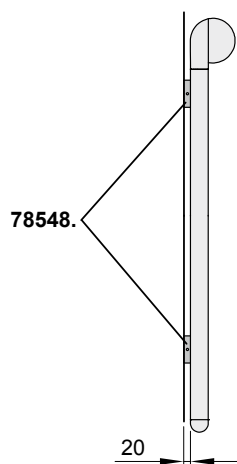
stand-off fixing tube
30 x 10 x 1000 mm
N.B.!
Stack to a max. height
of 120 mm

701668

Fixture types

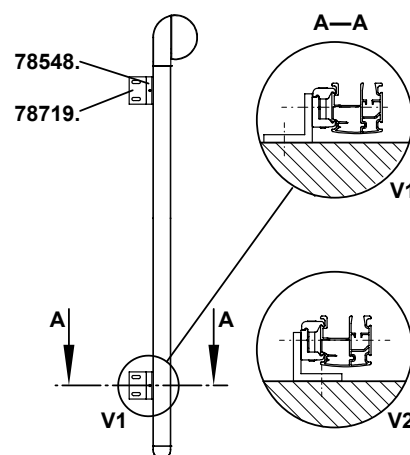
10

Clearance 20 mm



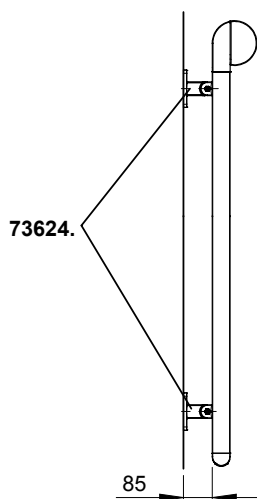
15

By angled bracket to the side



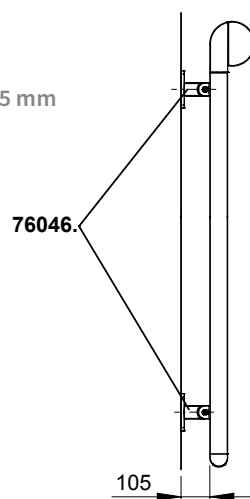
20

Clearance 85 mm



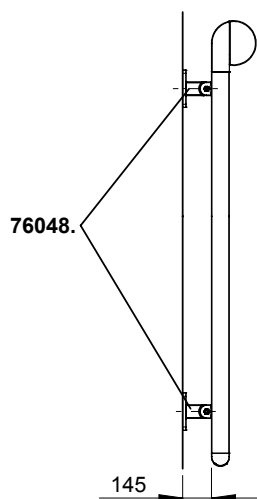
21

Clearance 105 mm



22

Clearance 145 mm



Individual bracket selection:

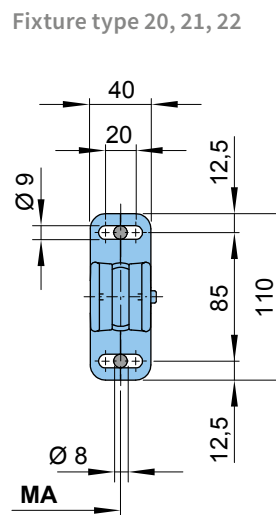
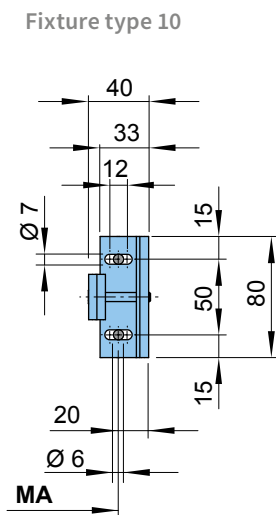
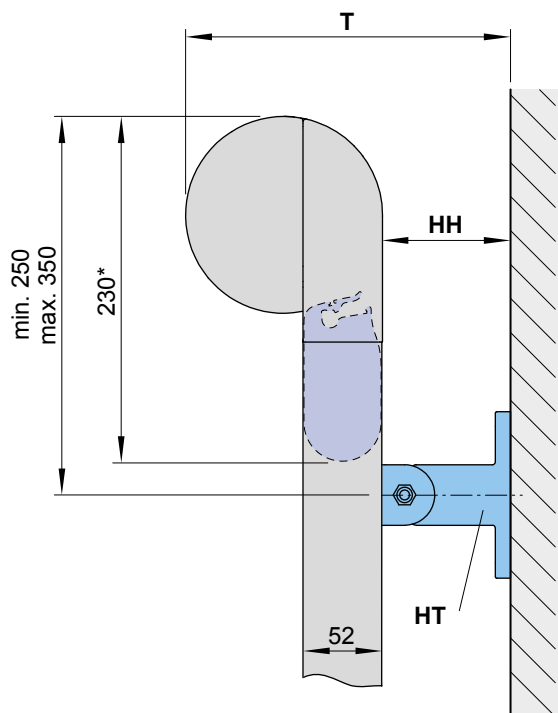
See "Fixtures, fittings and accessories". When unit height > 300 cm, always 3 brackets per guide track.

dimensions in mm

- 01
- 02
- 03
- 04**
- 05
- 06
- 07
- 08
- 09
- 10
- 11
- 12
- 13
- 14
- 15
- 16
- 17
- 18
- 19

Fixture types

Overview of dimensions



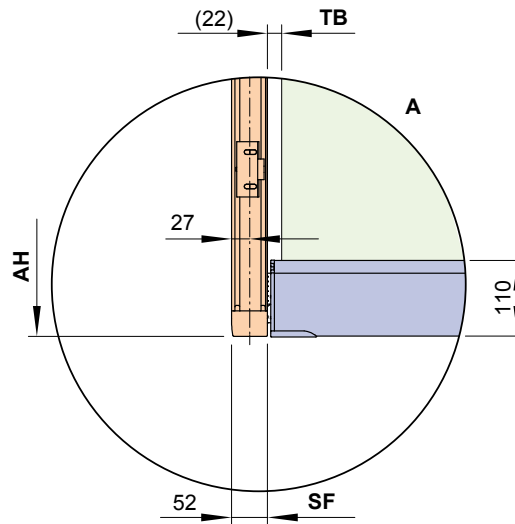
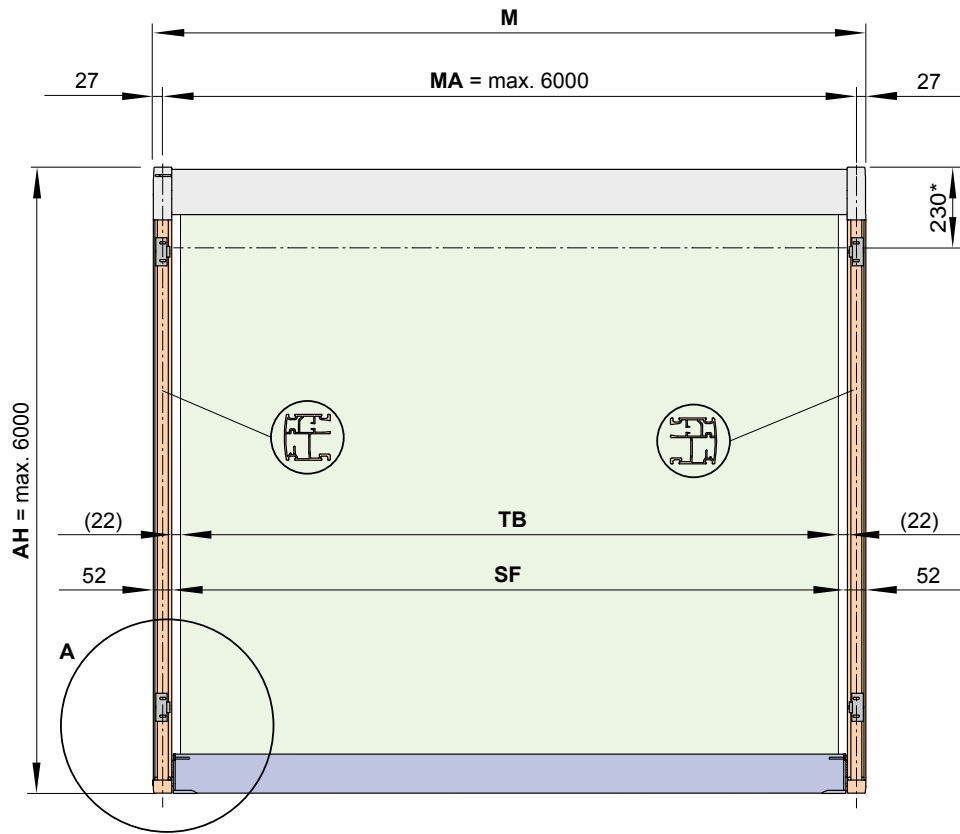
	Fixture type 10	Fixture type 20	Fixture type 21	Fixture type 22
HT = bracket	78548.	73624.	76046.	76048.
HH = bracket height	20	85	105	145
T = overall height	150	215	235	275

MA = **order dimension** = blind fixture width = fixture width

* = unit height when retracted

Overview of dimensions

Single unit



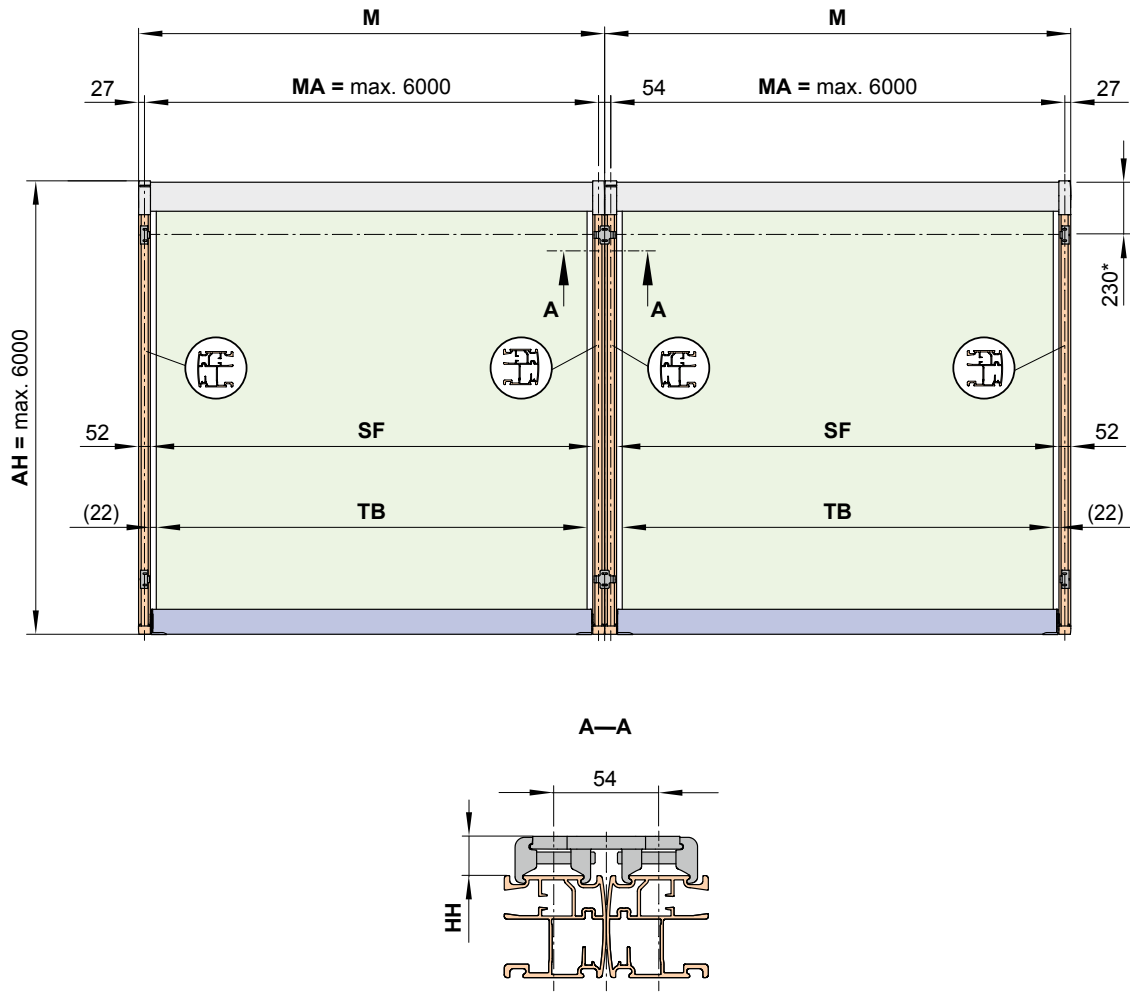
- * = unit height when retracted
- (...) = gap between cover and guide track (non-tracfix units)
- AH** = **order dimension** = unit height
- HH** = bracket height
- M** = awning width
- MA** = **order dimension** = blind fixture width = fixture width
- SF** = visible cover (in tracfix systems)
- TB** = cover width

dimensions in mm

01
02
03
04
05
06
07
08
09
10
11
12
13
14
15
16
17
18
19

Overview of dimensions

Two single units – fixture via double track brackets

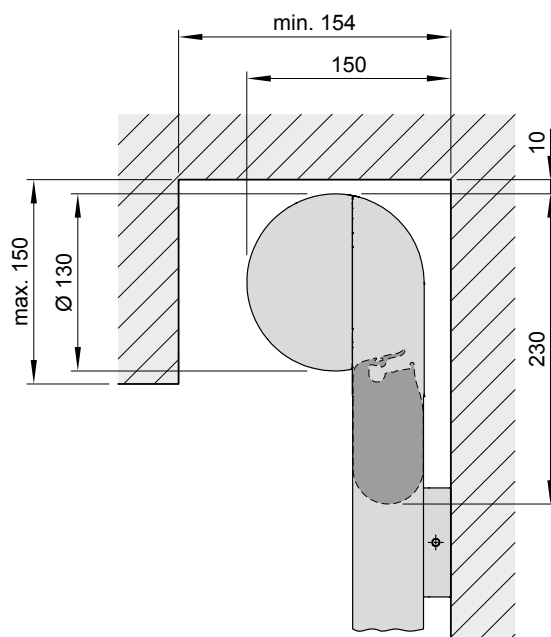


- * = unit height when retracted
- (...) = gap between cover and guide track (non-tracfix units)
- AH = **order dimension** = unit height
- HH = bracket height
- M = awning width
- MA = **order dimension** = blind fixture width = fixture width
- SF = visible cover (in tracfix systems)
- TB = cover width

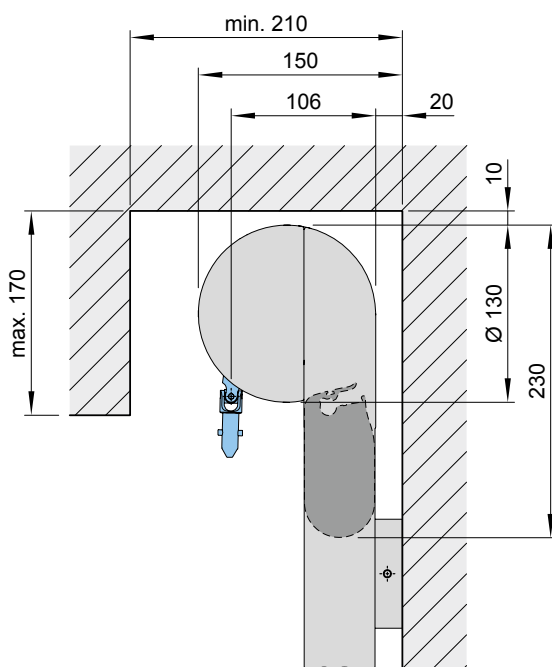
dimensions in mm

Overview of dimensions

Top window well fixture, motor drive



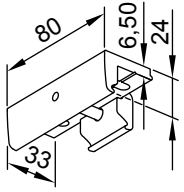
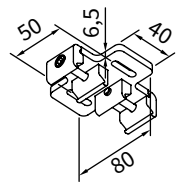
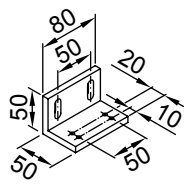
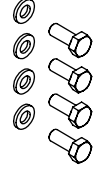
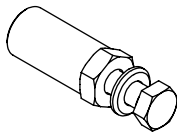
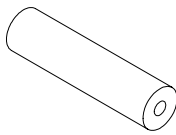
Top window well fixture, manual operation



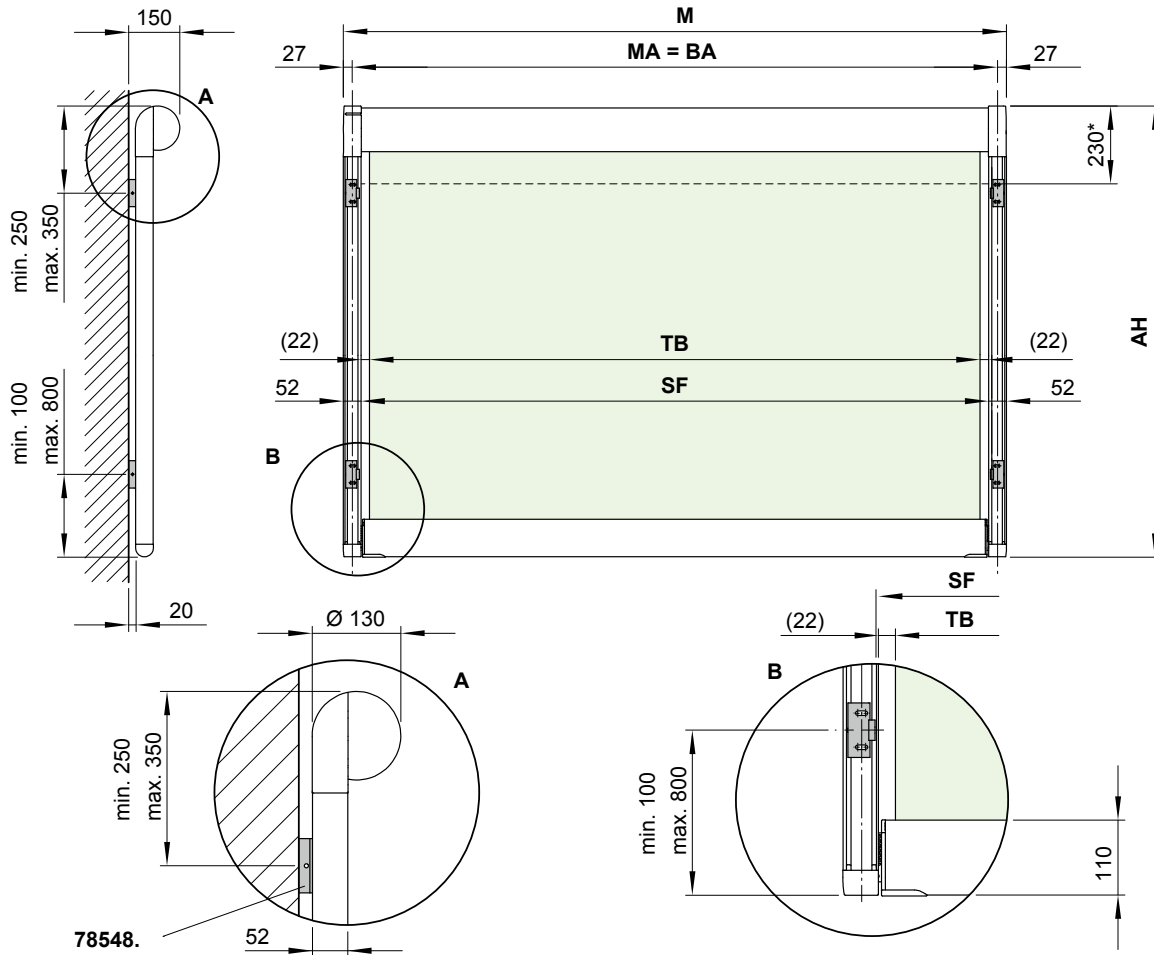
01
02
03
04
05
06
07
08
09
10
11
12
13
14
15
16
17
18
19

Dimension overview Fixture type 10, 15

Fixtures, fittings and accessories

 <p>flat track bracket fixture type 10 and 15</p> <p>78548.</p>	 <p>double track bracket plat 2 single units</p> <p>73627.</p>	 <p>additional angled bracket for the bearing, gearbox and motor sides 50 x 50 x 80 mm fixture type 15</p> <p>78719.</p>
 <p>accessories for two angled brackets 78719.</p> <p>787211</p>	 <p>reduction bolt M 10 → M 6 / SW 13 30 mm length pack 10 pcs</p> <p>8440381</p>	 <p>stand-off fixing tube 30 x 10 x 1000 mm N.B.! Stack to a max. height of 120 mm</p> <p>701668</p>

Fixture type 10, as seen from inside



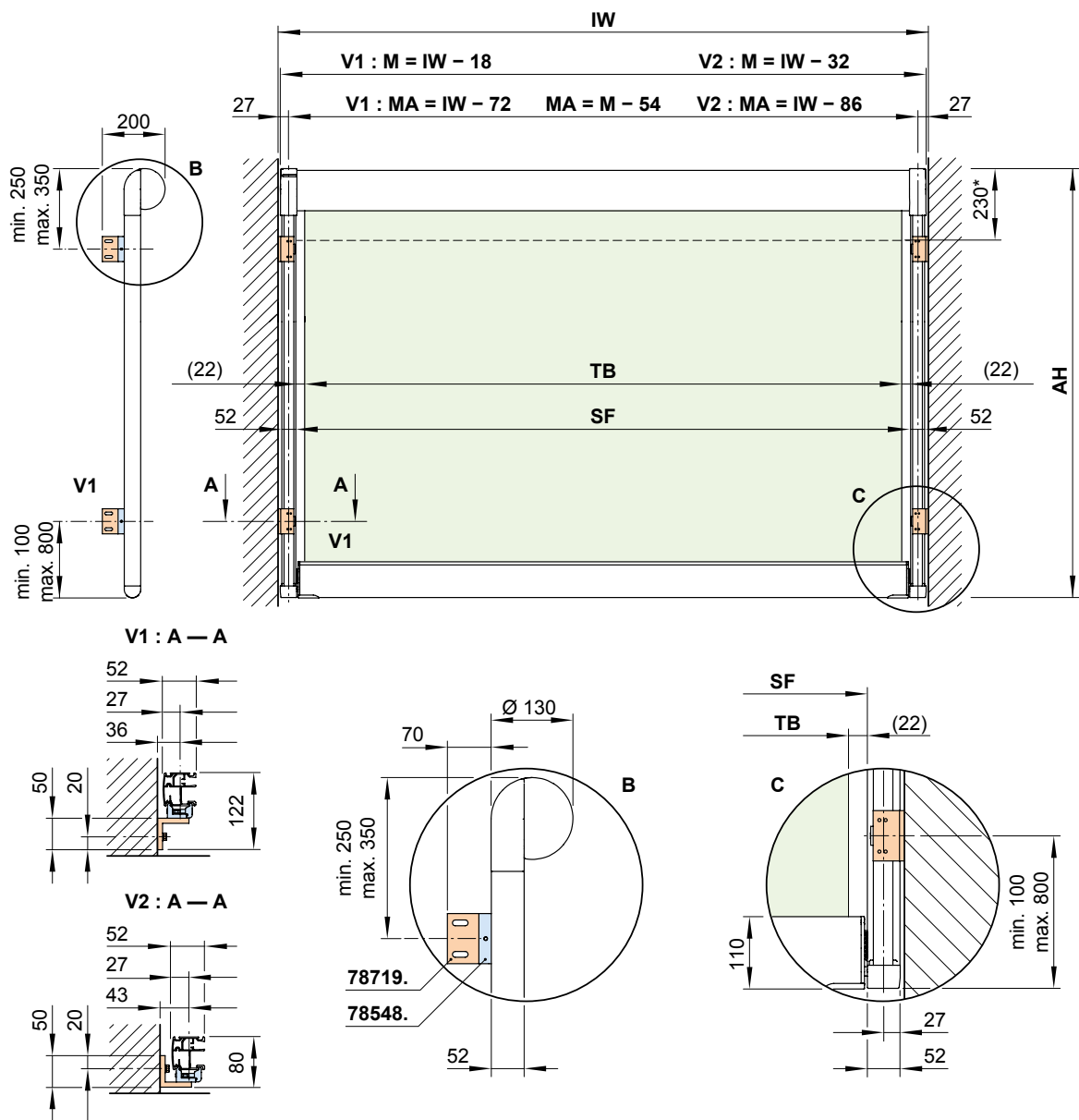
- * = height of cassette including front profile, retracted
- (...) = gap between cover and guide track (non-tracfix units)
- AH = **order dimension** = unit height
- BA = fixture width

- M = overall blind width = MA + 54 mm
- MA = **order dimension** = blind fixture width = fixture width
- SF = visible cover
- TB = cover width

dimensions in mm

Dimension overview Fixture type 10, 15

Fixture type 15, as seen from inside

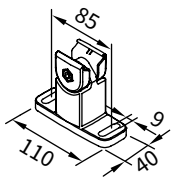


- * = height of cassette including front profile, retracted
- (...) = gap between cover and guide track (non-tracfix units)
- AH = unit height
- IW = reveal width
- M = awning width = MA + 54 mm
- MA = **order dimension** = blind fixture width = fixture width
- SF = visible cover
- V1, V2 = variants

dimensions in mm

Fixtures, fittings and accessories – fixture types 20, 21, 22

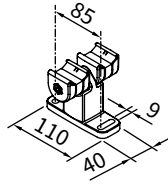
Fixtures, fittings and accessories – fixture type 20



track bracket, with adjustable head
80 mm

fixture type 20

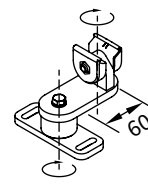
73624.



double track bracket with adjustable head
80 mm

central bracket for 2 single units next to each other

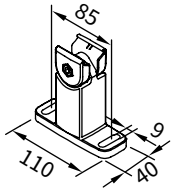
73631.



windmill track bracket
80 mm

73629.

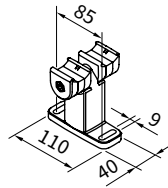
Fixtures, fittings and accessories – fixture type 21



track bracket, with adjustable head

100 mm

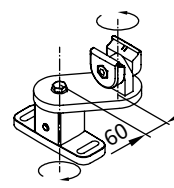
76046.



double track bracket with adjustable head
100 mm

central bracket for 2 single units next to each other

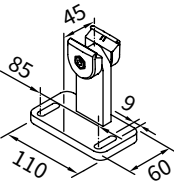
73634.



windmill track bracket

100 mm

76054.

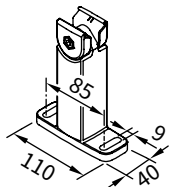


track bracket with offset footplate

100 mm

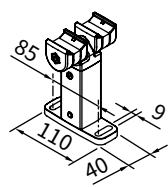
76199.

Fixtures, fittings and accessories – fixture type 22



track bracket, with adjustable head
140 mm

76048.

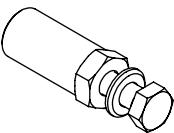


double track bracket with adjustable head
140 mm

central bracket for 2 single units next to each other

73636.

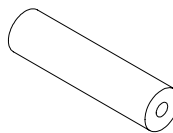
Accessories



reduction bolt
M 10 → M 6 / SW 13

30 mm length
pack 10 pcs

8440381

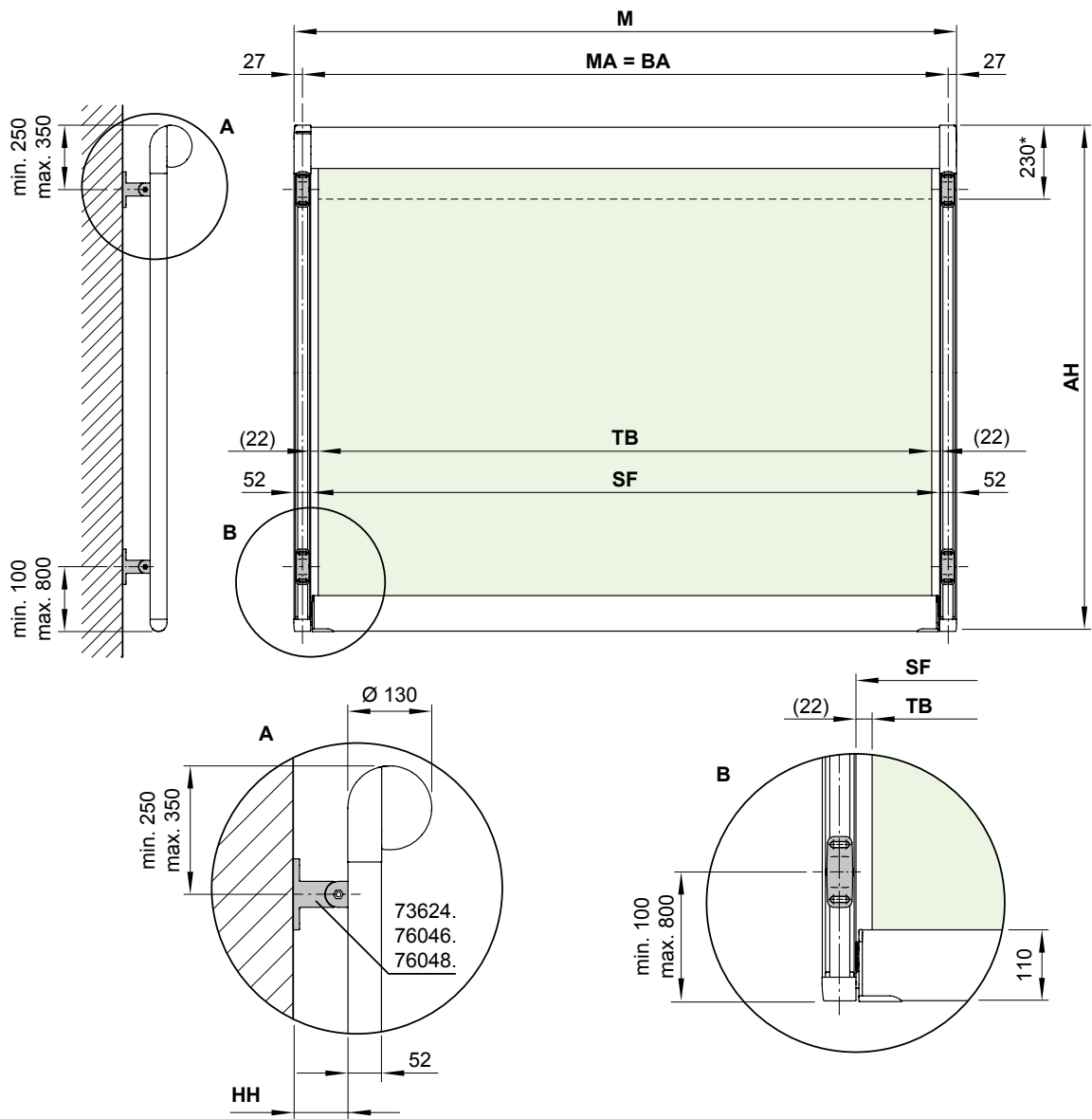


stand-off fixing tube
30 × 10 × 1000 mm

N.B.!
Stack to a max. height of 120 mm

701668

Dimension overview fixture types 20, 21, 22

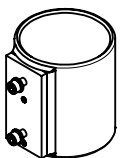


- * = height of cassette including front profile, retracted
- (...) = gap between cover and guide track (non-tracfix units)
- AH** = **order dimension** = unit height
- BA** = width between fixture points
- HH** = bracket height
- M** = Awning width
- MA** = **order dimension** = blind fixture width = fixture width
- SF** = visible cover (in tracfix systems)
- TB** = cover width

dimensions in mm

Dimension overview fixture to the posts of the markilux pergola

01
02
03
04
05
06
07
08
09
10
11
12
13
14
15
16
17
18
19

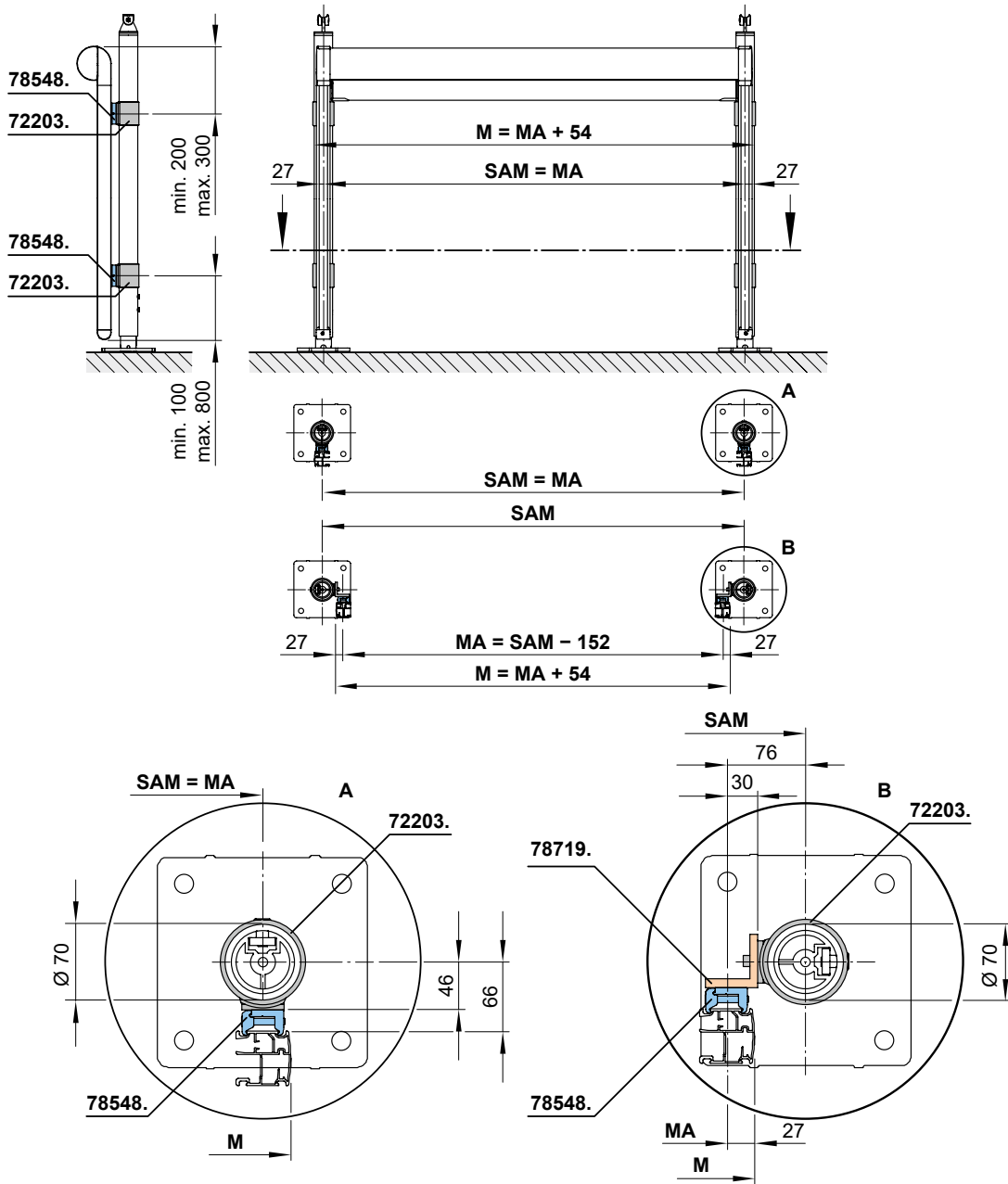


post fixture
guide track

single and double
brackets

pergola with
fixed posts - round

72203.



- A** = detailed drawing fixture type 10
- B** = detailed drawing fixture type 15
- M** = overall blind width = $MA + 54$ mm
- MA** = **order dimension** = blind fixture width = fixture width
- SAM** = post separation centre to centre

dimensions in mm

Dimension overview in combination with the markilux syncra

Fixture to a round post

post fixture guide track

centre, both sides

round posts

79557.

post fixture guide track

corner, both sides

round posts

79556.

post fixture guide track

corner, one side

round posts

79558.

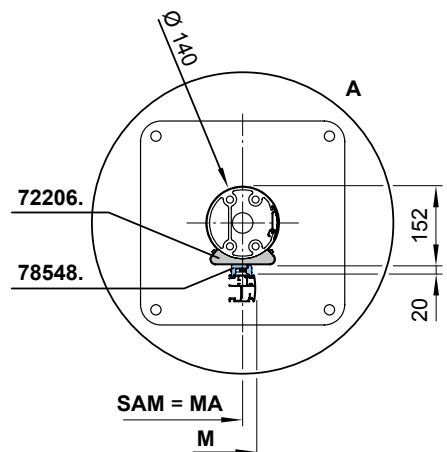
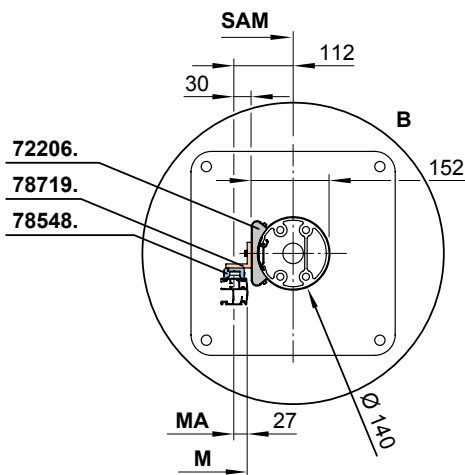
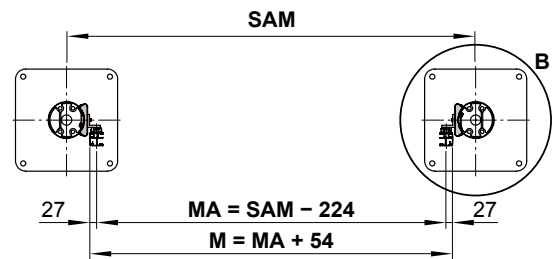
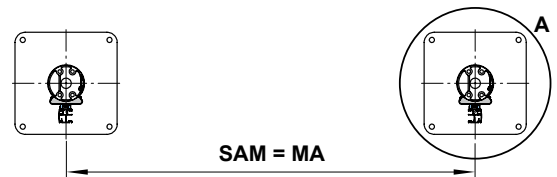
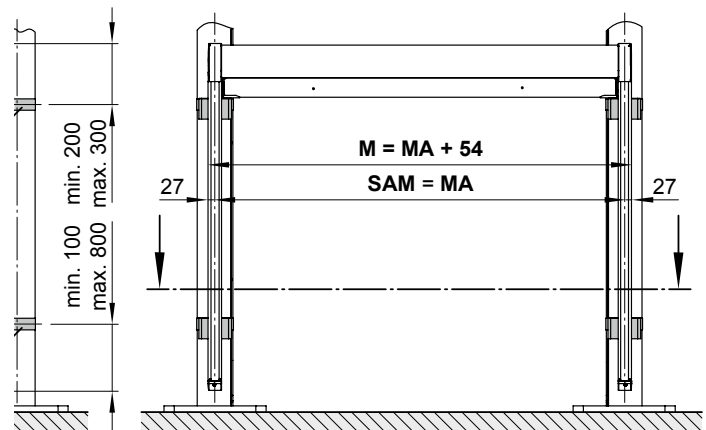
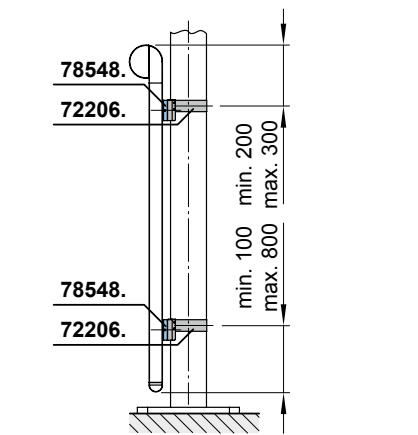
post fixture guide track

single and double brackets

round posts

72206.

Please note: When fixing to the markilux syncra only two brackets per track are needed!



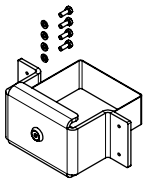
- A** = detailed drawing fixture type 10
- B** = detailed drawing fixture type 15
- M** = overall blind width = **MA + 54** mm
- MA** = **order dimension** = blind fixture width = fixture width
- SAM** = post separation centre to centre

dimensions in mm

01
02
03
04
05
06
07
08
09
10
11
12
13
14
15
16
17
18
19

Dimension overview in combination with the markilux syncra

Fixture to a square post

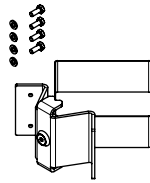


post fixture
guide track

centre, both sides

square posts

72234.

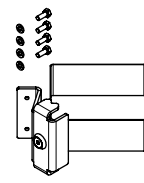


post fixture
guide track

corner, both sides

square posts

72233.

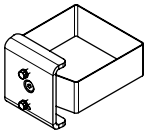


post fixture
guide track

corner, one side

square posts

72235.



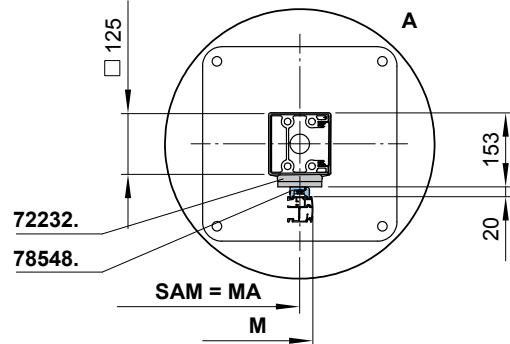
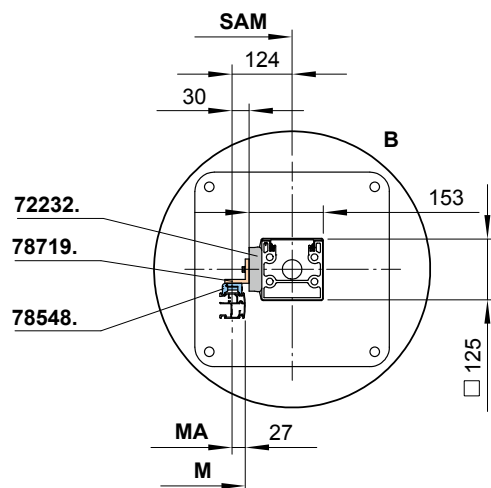
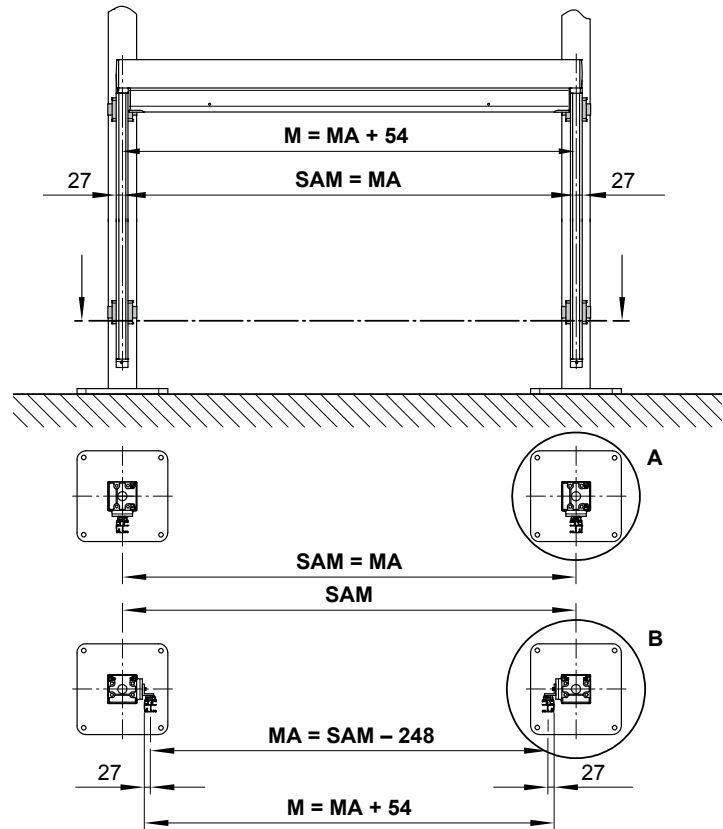
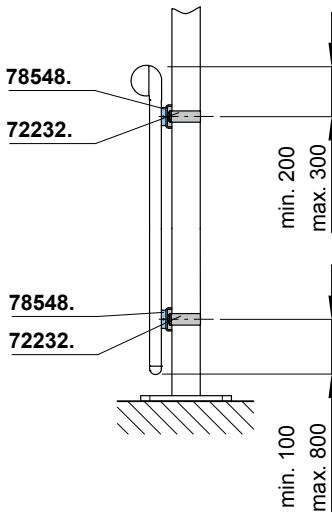
post fixture
guide track

single and double
brackets

square posts

72232.

Please note: When fixing to the markilux syncra only two brackets per track are needed!

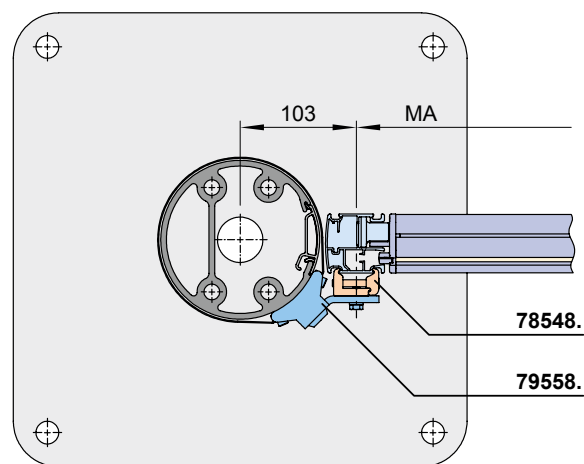
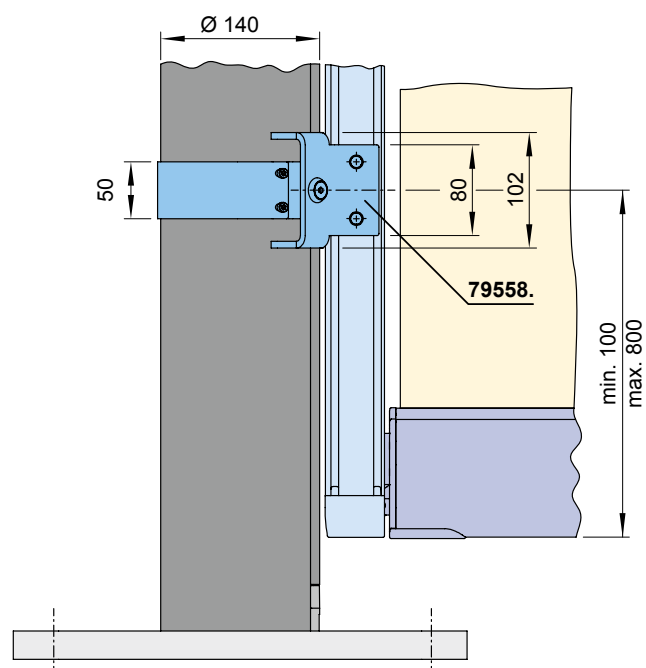


- A = detailed drawing fixture type 10
- B = detailed drawing fixture type 15
- M = overall blind width = $MA + 54$ mm
- MA = **order dimension** = blind fixture width = fixture width
- SAM = post separation centre to centre

dimensions in mm

Dimension overview in combination with the markilux syncra

Fixture to a square post



- 01
- 02
- 03
- 04**
- 05
- 06
- 07
- 08
- 09
- 10
- 11
- 12
- 13
- 14
- 15
- 16
- 17
- 18
- 19

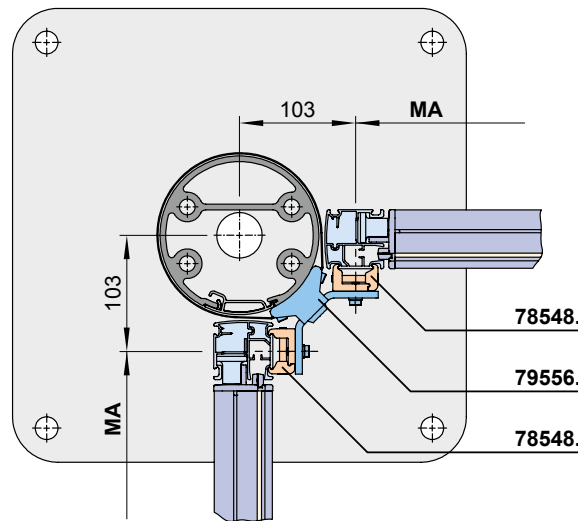
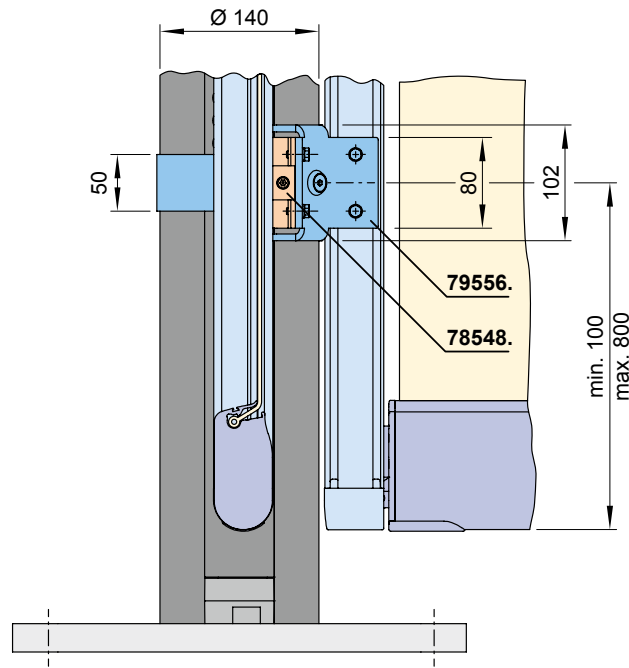
MA = order dimension = blind fixture width = fixture width

dimensions in mm

01
02
03
04
05
06
07
08
09
10
11
12
13
14
15
16
17
18
19

Dimension overview in combination with the markilux syncra

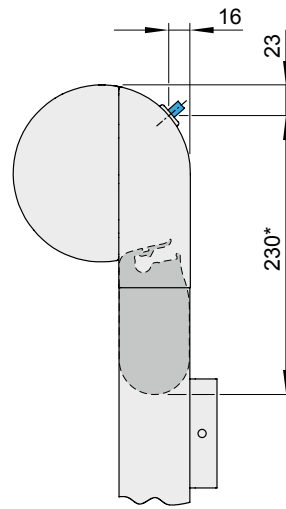
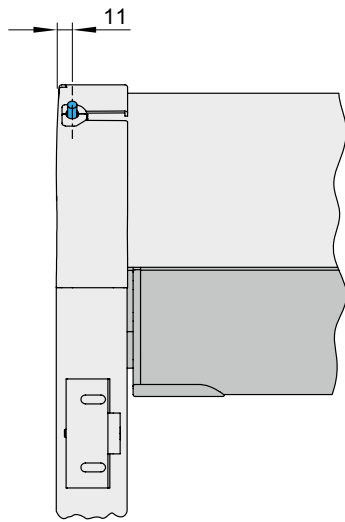
Fixture to a round post



MA = order dimension = blind fixture width = fixture width

dimensions in mm

Motor cable exit point



- 01
- 02
- 03
- 04**
- 05
- 06
- 07
- 08
- 09
- 10
- 11
- 12
- 13
- 14
- 15
- 16
- 17
- 18
- 19

* = unit height when retracted

01

02

03

04

05

06

07

08

09

10

11

12

13

14

15

16

17

18

19