



Underglass Awning

markilux 879 / 879 tracfix

Complete harmony of form and function – the underglass awning for large areas. Cleverly designed, the perfect shading solution for glass canopies.



reddot design award
winner 2017



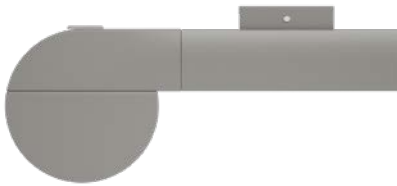
markilux
safe timeless beautiful

Product Characteristics

Wind resistance class 2 | 3 (depending on size)
 Beaufort 5 → 28–37 km/h → 7.5–10.4 m/s → 17–23 mph |
 Beaufort 6 → 38–48 km/h → 10.5–13.4 m/s → 24–30 mph



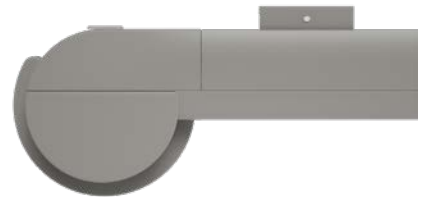
1 side view: motor drive, flat track bracket



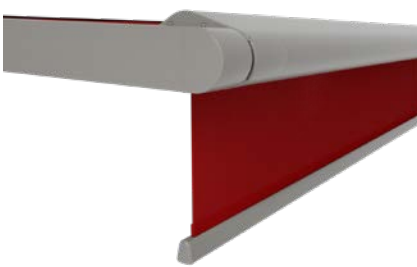
1 side view: crank handle operation



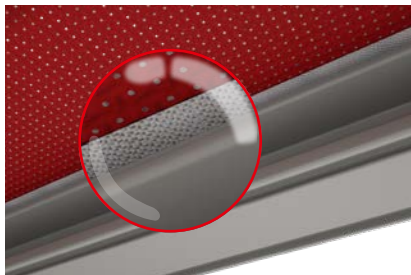
2 cable feed for lighting options



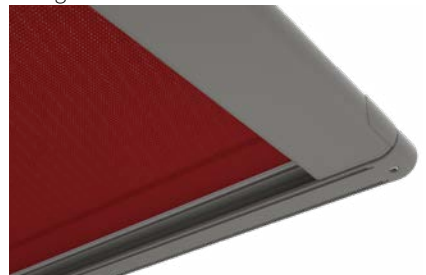
3 shadeplus during extension



4 tracfix cover guidance – no gap between cover and track ¹⁾



5 when extended, the front profile finishes flush with the end of the guide tracks



6 LED-Line fitted to the guide track and cover support tube ¹⁾



7 LED-Line fitted to the guide track and LED-Spots in the cover support tube ¹⁾



8 LED-Line fitted to the guide track ¹⁾, cover support by means of a stainless steel wire



¹⁾ Optional accessories

Product Characteristics

Description

- underglass awning with attractively shaped, round cassette and harmoniously matched guide tracks
- the ingenious tensioning system and the sturdy design allow areas of up to 27 m² (with tracfix system 24 m²) to be shaded

Special features

- fully encompassing cassette that protects the cover perfectly
- tried and tested tensioning system with drive belts and integrated gas pistons – delivers optimum cover tension in any phase of extension
- tracfix optional: the continuous lateral cover guidance system that leaves no gap between the cover and guide tracks – gives improved wind stability and a cleaner appearance
- various lighting combinations available: light strip LED Line in the guide tracks, LED Line in the cover support tube or LED-Spots fitted to the cover support tube – individually configurable lighting options providing a pleasant atmosphere in the evening
- option of a drop valance with a height of 150 cm or 210 cm (depending on the fabric series chosen) – protection against low-lying sun, wind and inquisitive glances integrated into the front profile, with manual operation
- the broad range of brackets with patented clip-on system offers individual fixture solutions

Dimensions

- single unit: 60–600 cm in width, maximum extension 600 cm (depending on the width)
- maximum dimensions, width × extension: 400 × 600 cm / 600 × 450 cm (without tracfix system)
- maximum dimensions, width × extension: 600 × 400 cm (with tracfix system)
- intermediate sizes are available

Roller tube and lateral bearings

- round roller tube Ø 85 mm with keyway, galvanised steel – excellent stability, ensures near perfect cover performance even at the largest widths
- the roller tube bearing is made of stainless steel

Awning profiles

- extruded aluminium, in façade quality, powder coated
- cassette profile in two pieces, round, Ø 130 mm
- guide tracks angular, rounded edges, width × height 52 mm × 52 mm
- front profile rounded at the front, depth × height 110 mm × 52 mm, shadeplus profile depth × height 139 mm × 66 mm

End caps

- the cassette end caps are made of die-cast aluminium, in two parts, powder coated
- the front profile end caps are made of high-quality plastic, powder coated

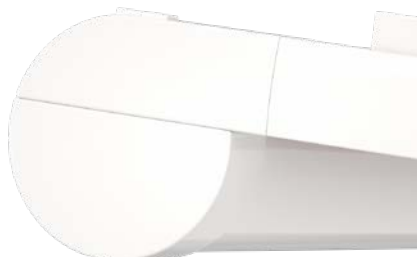
Fixture brackets

- extruded aluminium, powder coated
- cassette is self-supporting on guide tracks
- brackets for the guide tracks: flat track brackets, stand-off brackets, reveal fixture
- standard bracket heights: 20 mm / 85 mm / 105–145 mm (bespoke heights can be ordered)
- other accessories are available

01 **Frame colours**

02 markilux frame colours without surcharge

03 traffic white, RAL 9016



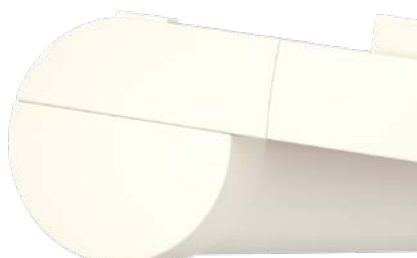
04 metallic aluminium, RAL 9006



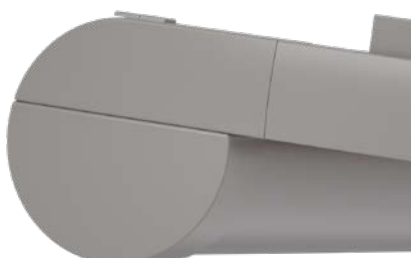
05 grey brown, similar to RAL 8019



06 off-white textured finish, 5233 ¹⁾



07 stone grey metallic, 5215 ¹⁾



08 anthracite metallic, 5204 ¹⁾



09 havana brown textured finish, 5229 ¹⁾



10 **Non-standard powder-coated finish**

11 **18** Bespoke frame colours incur a surcharge – matt, metallic, finely textured and pearl finishes as well as other colour ranges (DB, Tiger etc.) on request. All frame colours are available at a surcharge with enhanced corrosion protection.

12 **19** Colours may differ slightly from those depicted in both hue and finish.

1) textured finish

Dimensions and configuration options

Single unit

		Awning fixture width										Minimum fixture width	
		150	200	250	300	350	400	450	500	550	600	Hard-wired motor	Radio-controlled motor
Order dimensions		60 150	151 200	201 250	251 300	301 350	351 400	401 450	451 500	501 550	551 600		
Overall width		+ 5,4											
H	150 ¹⁾											60 [72]	70 [82]
	200 ¹⁾												
	250 ¹⁾									2)			
	300 ¹⁾							2)	2)	2)			
	350 ¹⁾						2)	2)	2)	2)	2)		
	400 ¹⁾	2)	2)	2)	2)	2)	2)	2)	2)	2)	2)		
	450	2)	2)	2)	2)	2)	2)	2)	2)	2)	2)		
	500	2)	2)	2)	2)	2)	2)	—	—	—	—		
	550	2)	2)	2)	2)	2)	2)	—	—	—	—		
	600	2)	2)	2)	2)	2)	2)	—	—	—	—		

dimensions in cm

- 1) = tracfix (optional). Only available with motor
- 2) = meets wind resistance class 2, all other sizes meet wind resistance class 3
- 3) = from an extension of 281 cm
- H = extension
- [...] = dimensions in the case of tracfix units

= 2 brackets

= 3 brackets

= 3 brackets,
1 stainless steel cover support wire

Operation	standard	optional
crank handle	✓ ¹⁾	—
hard-wired motor	✓ ²⁾	—
silentec motor (optionally with an external io / RTS receiver ¹⁾)	—	—
radio-controlled motor io, 868 MHz	—	✓
radio-controlled motor RTS, 433 MHz	—	✓

- 1) Not with tracfix
- 2) With tracfix

Shadeplus	standard	optional
height depends on fabric pattern, see table "Shadeplus cover"		
awning fixture width minimum 201 cm – maximum 500 cm		
crank handle	✓	—
hard-wired motor	—	—
radio-controlled motor io, 868 MHz	—	—
radio-controlled motor RTS, 433 MHz	—	—

Coupled awnings

not available

Optional accessories

tracfix – cover guidance system holding the cover neatly in the guide rails

shadeplus, manual

LED-Line attached to the guide tracks

LED-Line in the lighting bar ¹⁾

LED-Spots attached to the lighting bar ¹⁾

infrared heater 2500 W

infrared heater 2500 W with integrated radio-controlled receiver 868 MHz io

automatic controls (light, wind, rain)

N.B. Important background information can be found in the chapter "Optional Accessories"

1) LED-Line and LED-Spots cannot be combined with one another

01 **sunvas** Fabric pattern 301.. / 309.. – 315.. **smart art** 340..
 02 **transolair** 339.. **sun silk** 324.. / 325.. / 328.. / 369..
 03 **perla FR** 371..³⁾ / 372..³⁾

Fabric width 120 cm

		Awning fixture width										
		150	200	250	300	350	400	450	500	550	600	
AH	tracfix 1)	150										
	200											
	250											
	300											
	350											
	400											
	450											
	500											
	550											
	600											

07 3) Only available with tracfix

08 **sunvas** Fabric pattern 31008²⁾, -09²⁾, -13, -16, -18, -25, -27, -28, -31, -36, -37, -57, -58, 31109, -14, -17
 Fabric width 250 cm

		Awning fixture width									
		150	200	250	300	350	400	450	500	550	600
AH	tracfix 1)	150									
	200										
	240										
	300				2)	2)	2)				
	350				2)	2)	2)				
	400				2)	2)	2)				
	450				2)	2)					
	500				2)	2)					
	550				2)	2)					
	600				2)	2)					

12 2) also available in fabric width 320 cm – then seamless

15 **sunbow** Fabric pattern 411.. - 427..
 Fabric width 120 cm


		Awning fixture width									
		150	200	250	300	350	400	450	500	550	600
AH	tracfix 1)	150									
	200										
	250										
	300										
	350	3)	3)	3)	3)	3)	3)	3)	3)	3)	3)
	400	3)	3)	3)	3)	3)	3)	3)	3)	3)	3)
	450										
	500										
	550										
	600										

19 3) Only in tracfix units


Note: The maximum width of the outer panels in tracfix systems with vertical panel joints is 35 cm

 = vertical panel joints

(panel width approx. 120 cm)

 = seamless

 = horizontal panel joint(s)

 = not available

AH = unit height

1) = optional

dimensions in cm

transolair Fabric pattern 338..
Fabric width 250 cm

		Awning fixture width											
		150	200	250	300	350	400	450	500	550	600		
AH	tracfix 1)	150											
		200											
		240											
		300											
		350											
		400											
		450											
		500											
		550											
		600											

perfortex Fabric pattern 331.. / 332..
Fabric width 120 cm

		Awning fixture width											
		150	200	250	300	350	400	450	500	550	600		
AH	tracfix 1)	150											
		200											
		250											
		300											
		350											
		400											
		450											
		500											
		550											
		600											

Serge 600(only available with tracfix) Fabric pattern 272..
Fabric width 250 cm

		Awning fixture width											
		150	200	250	300	350	400	450	500	550	600		
AH	tracfix 1)	150											
		200											
		250											
		300											
		350											
		400											
		450											
		500											
		550											
		600											

Soltis Perform 92 Fabric pattern 277..
Fabric width 177 cm

		Awning fixture width											
		150	200	250	300	350	400	450	500	550	600		
AH	tracfix 1)	150											
		180											
		250											
		300											
		350											
		400											
		450											
		500											
		550											
		600											

Note: The maximum width of the outer panels in tracfix systems with vertical panel joints is 35 cm

= vertical panel joints (panel width approx. 120 cm)
 = seamless
 = not available
 = horizontal panel joint(s)
 AH = unit height

1) = optional

dimensions in cm

01
02
03
04
05
06
07
08
09
10
11
12
13
14
15
16
17
18
19



	Awning cover	fabric pattern no.	standard	optional
01	sunvas	300..-315..	✓	—
02	sunsilk	324.. / 325.. / 328.. / 369..	✓	—
	sunbow ²⁾	411..-427..	✓	—
03	smart art	340..	—	✓
	perla FR	371.. / 372..	—	✓ ¹⁾
04	perfortex	331.. / 332..	✓	—
	transolair	338..	—	✓
05	transolair (120 cm)	339..	—	✓
	Soltis Perform 92	92-20..	—	✓
06	Serge 600	272..	—	—

1) Only in tracfix units

2) Up to max. 400 cm projection available, without tracfix up to max. 300 cm projection available

	shadeplus / drop valance cover¹⁾	fabric pattern no.	standard	optional	Awning fixture width	height	tailored cloth
11	sunvas	309.. / 310.. / 311..	✓	—	≤ 500	210	QN
12	sunsilk	324.. / 325..	✓	—	≤ 500	210	QN
	sunbow	411.. / 414.. / 421.. / 424..	✓	—	≤ 500	210	QN
13	transolair	338..	—	✓	≤ 500	210	N
	transolair (120 cm)	339..	—	✓	≤ 500	210	QN
14	Soltis Perform 92	92-20..	—	✓	≤ 500	210	QN
	Serge 600	272..	—	—			
15	perfortex	331.. / 332..	—	—			
	perla FR	371.. / 372..	—	—			

1) Shadeplus cover is narrower than the awning cover

N = Seamless

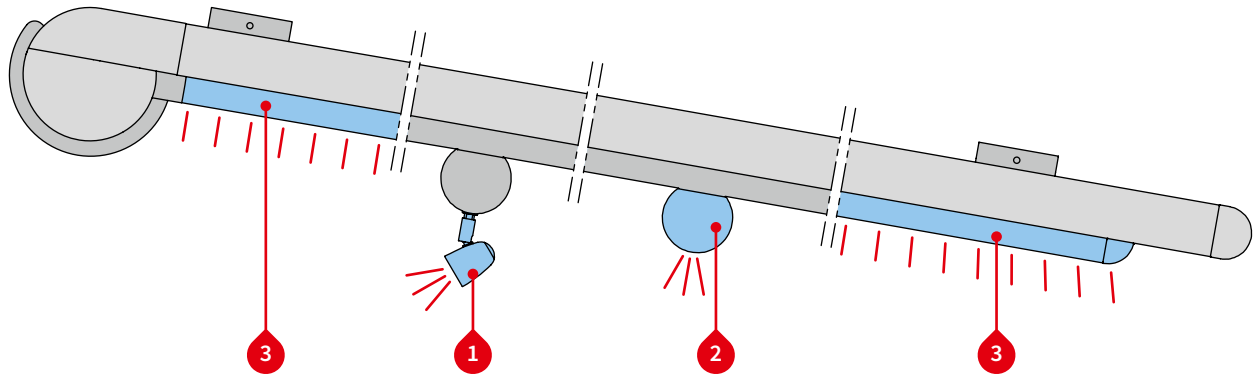
QN = horizontal seam(s)

Only available in plain seamless fabrics (oversized, fabric width > 120 cm) or in plains with a horizontal joint (fabric width 120 cm)

18

19

Lighting options



Lighting options

- 1) LED-Spots attached to the lighting bar ¹⁾
- 2) LED-Line in the lighting bar ¹⁾
- 3) LED-Line in the guide tracks on both sides

Controls

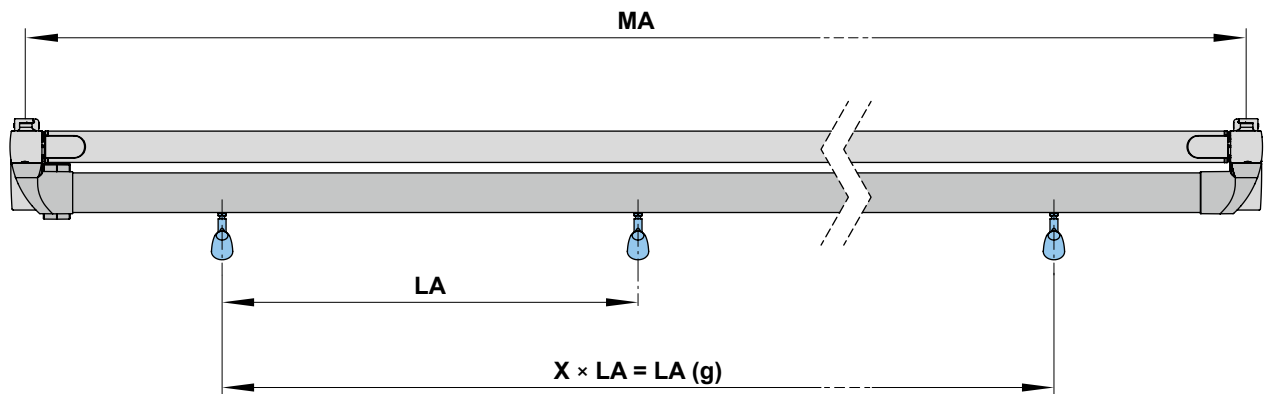
	standard	optional
on/off switch	—	✓
radio-controlled dimmer io 868 MHz	✓	—
radio-controlled dimmer RTS 433 MHz	—	✓

For combination possibilities please view section "Dimension overview lighting options"

1) LED-Line and LED-Spots cannot be combined with one another

Distribution of the LED-Spots

- 1) LED-Spots in the cover support tube



Awning fixture width	no. of spots	LA	LA (g)
150–250	3	65	130
251–300	3	98	196
301–350	3	98	196
351–400	4	98	294
401–450	4	98	294
451–500	5	98	392
501–550	5	98	392
551–600	6	98	490

dimensions in cm

LA (g) = distance between the spots (total)
 MA = order dimension = blind fixture width = fixture width

01
02
03
04
05
06
07
08
09
10
11
12
13
14
15
16
17
18
19

18

01

1 LED-Spots attached to the light bar

02

Technical specification

03

operating voltage 230 V, 50 Hz

04

power output of one LED spotlight 5 W

05

light source LED (12 V)

06

number of transformers 1 unit

07

light temperature warm white

08

IP protection class IP 44

09

service life approx. 20.000 h

10

11

12

13

14

15

16

17

2 including **3** LED-Line im Tuchstützrohr und in den Führungsschienen

18

Technical specification

19

operating voltage 230 V, 50 Hz

20

power output per metre 10 W / m

21

light source LED (12 V)

22

number of LEDs 120 units / m

23

number of transformers 1 unit

24

light temperature warm white

25

IP protection class IP 44

26

service life approx. 15.000 h

27

28

29

30

31

32

33

34

35

36

37

38

39

40

41

42

43

44

45

46

47

48

49

50

Fixtures, fittings and accessories

flat track bracket
fixture type 10 and 15

78548.

double track bracket
plat
2 single units

73627.

additional angled
bracket for the
bearing, gearbox and
motor sides
50 × 50 × 80 mm
fixture type 15

78719.

accessories
for two angled brackets
78719.

787211

track bracket, with
adjustable head
80 mm
fixture type 20

73624.

double track bracket
with adjustable head
80 mm
central bracket for 2
single units next to each
other

73631.

windmill track bracket
80 mm

73629.

track bracket, with
adjustable head
100 mm

76046.

double track bracket
with adjustable head
100 mm
central bracket for 2
single units next to each
other

73634.

windmill track bracket
100 mm

76054.

track bracket with offset
footplate
100 mm

76199.

track bracket, with
adjustable head
140 mm

76048.

double track bracket
with adjustable head
140 mm
central bracket for 2
single units next to each
other

73636.

covering cap
for square track bracket
standard accessory for
bracket

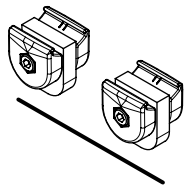
2 × 76718.

01
02
03
04
05
06
07
08
09
10
11
12
13
14
15
16
17
18
19

18

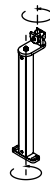
01
02
03
04
05
06
07
08
09
10
11
12
13
14
15
16
17
18
19

Fixtures, fittings and accessories



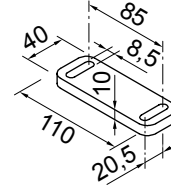
sprung bracket with stainless steel cover support wire
included with the delivery

73639. and 771401.



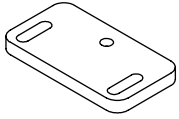
universal track bracket with adjustable head
140-500 mm

76053.



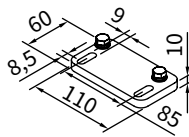
spacer plate for track bracket
110 × 40 × 10 mm

78570.



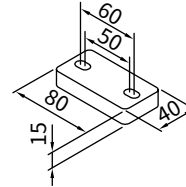
adapter plate for track bracket
110 × 60 × 10 mm

78158.



adapter plate for track bracket
110 × 60 × 10 mm

78165.



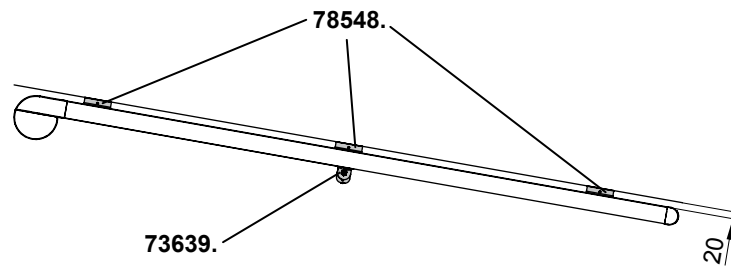
spacer plate double track bracket flat
80 × 40 × 15 mm

73742.

Fixture types

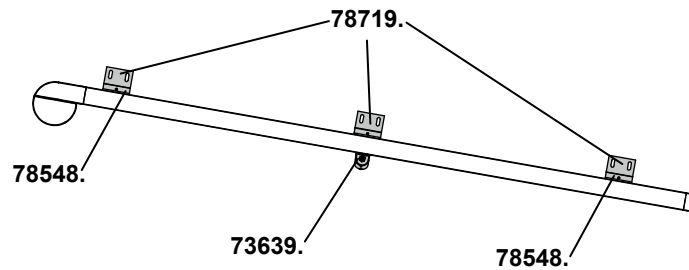
10

Clearance 20 mm



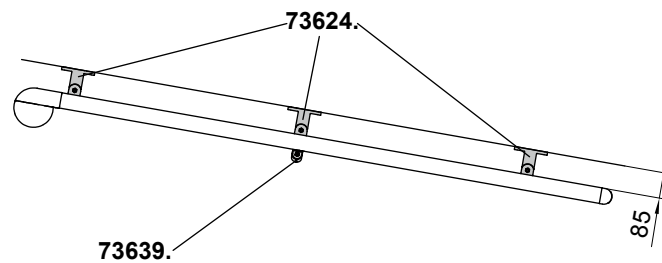
15

By angled bracket
to the side



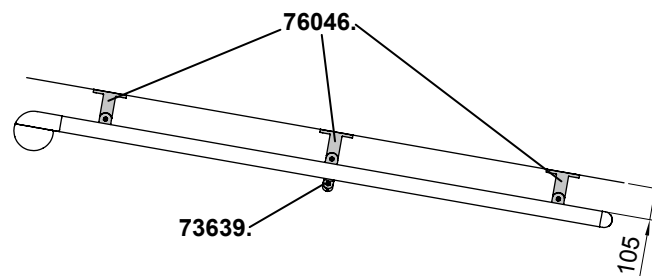
20

Clearance 85 mm



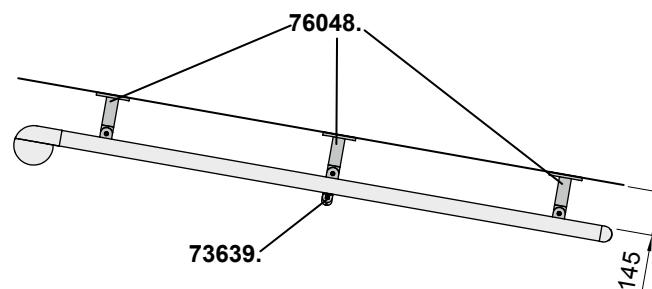
21

Clearance 105 mm



22

Clearance 145 mm



Individual bracket selection:

See "Fixtures, fittings and accessories".

Awning extension > 300 cm, always 3 brackets per guide track.

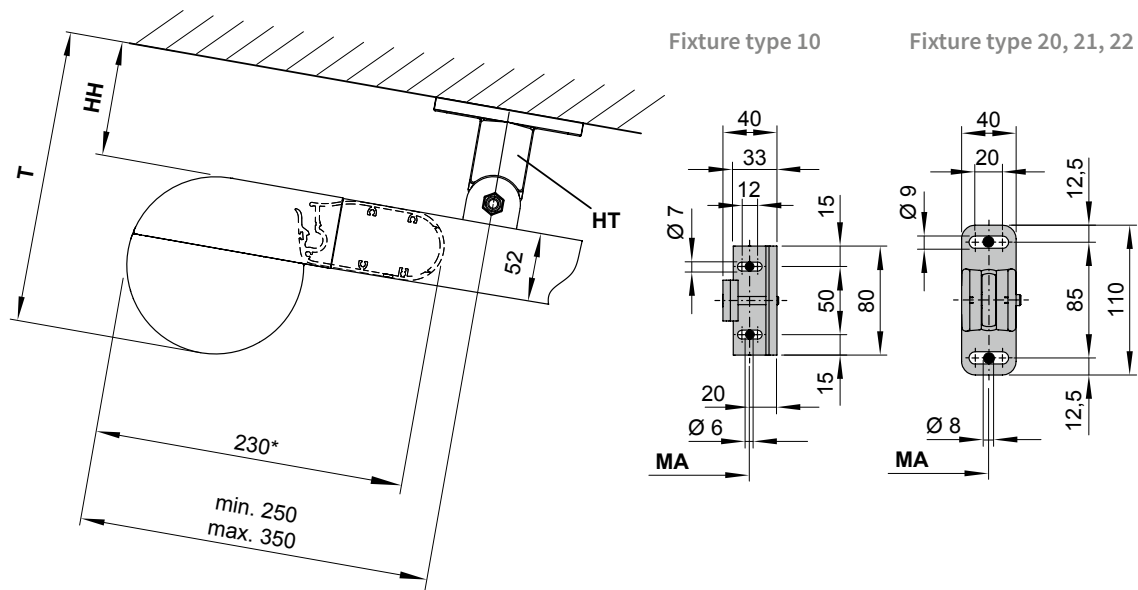
During extension and retraction the cover may sag.

Cover support wires and bracket (73639.) are only supplied with the markilux 879 without tracfix.

A bracket should always be placed where these are positioned.

Fixture types

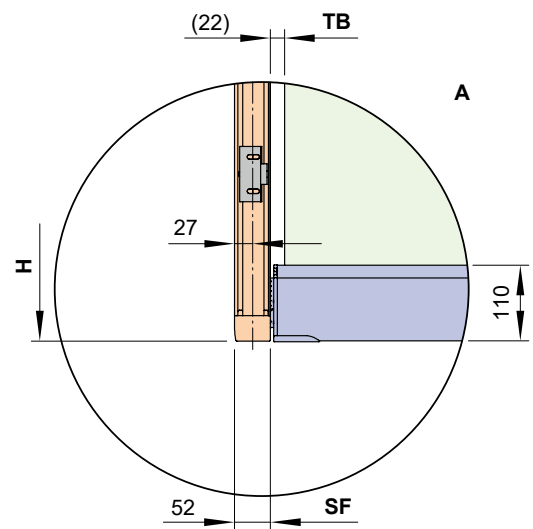
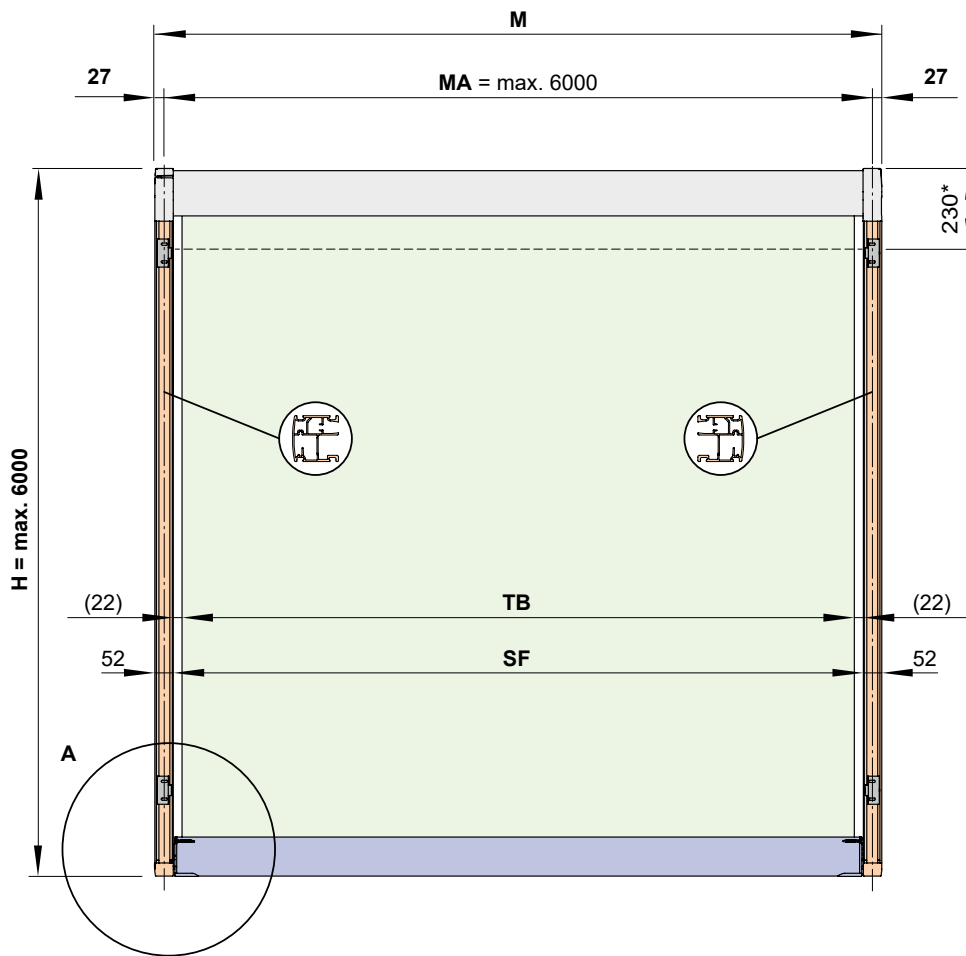
Overview of dimensions



	Fixture type 10	Fixture type 20	Fixture type 21	Fixture type 22
HT = bracket	78548.	73624.	76046.	76048.
HH = bracket height	20	85	105	145
T = depth	150	215	235	275
* = extension when retracted				
MA = order dimension = blind fixture width = fixture width				

Overview of dimensions

Single unit



- * = extension when retracted
- (...) = gap between cover and guide track (non-tracfix units)
- H** = **order dimension** = extension
- M** = awning width
- MA** = **order dimension** = awning fixture width = fixture width
- SF** = visible cover (in tracfix systems)
- TB** = cover width (in non-tracfix systems)

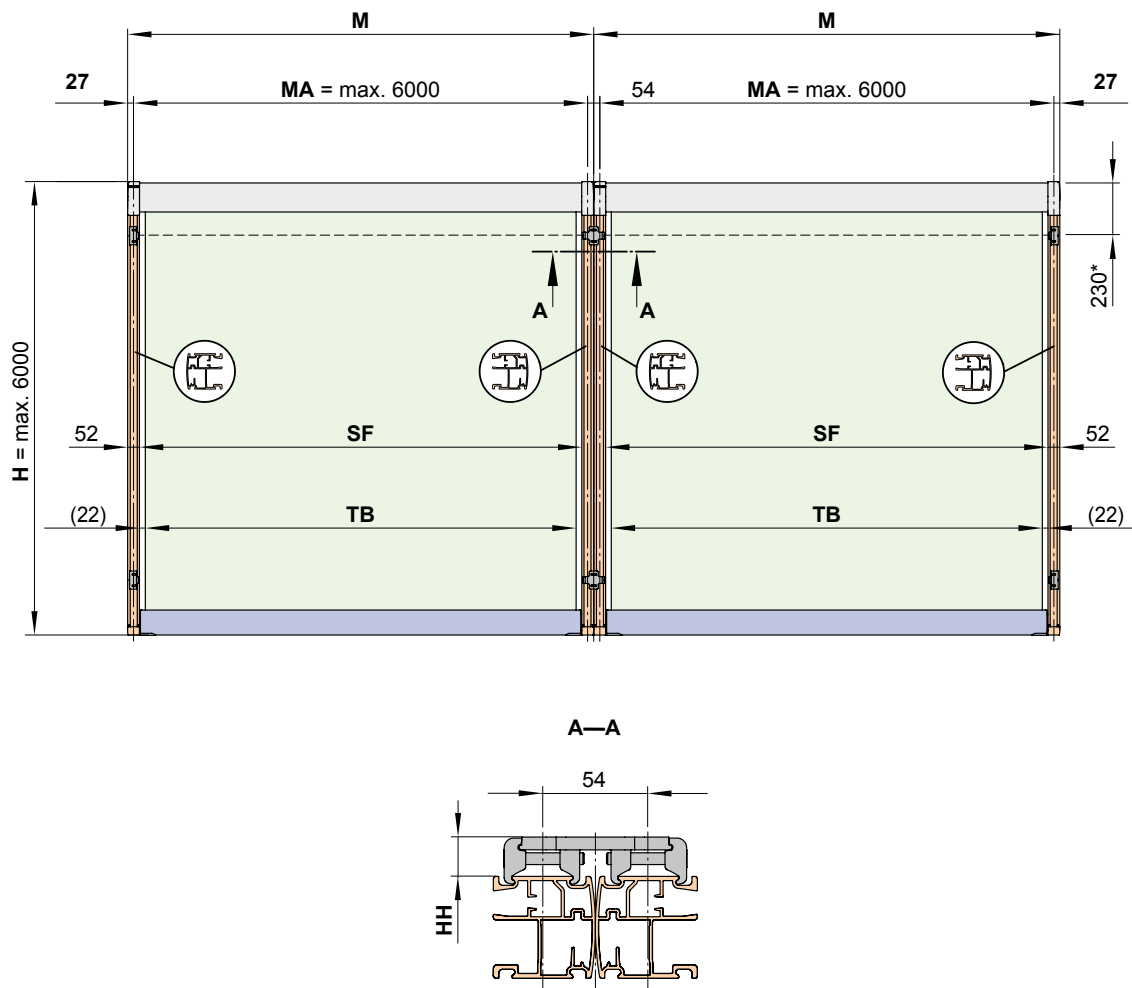
dimensions in mm

01
02
03
04
05
06
07
08
09
10
11
12
13
14
15
16
17
18
19

18

Overview of dimensions

Two single units - fixture via double track brackets

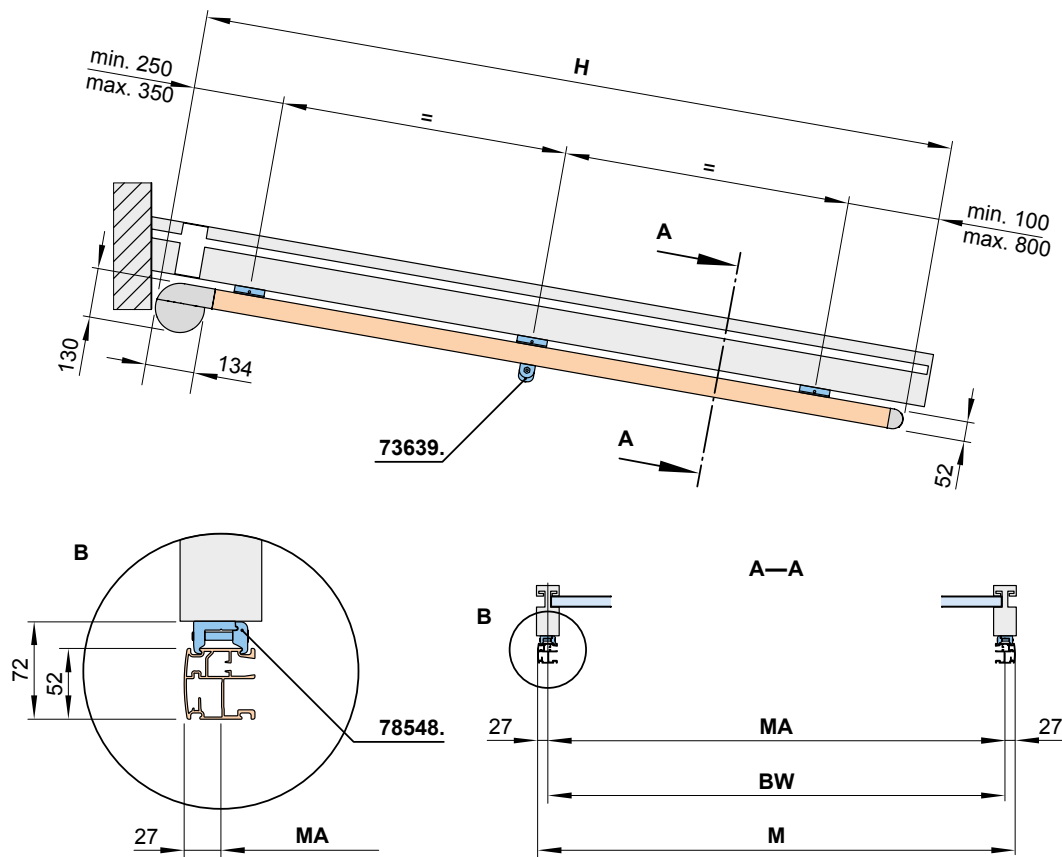


18

- * = extension when retracted
- (...) = gap between cover and guide track (non-tracfix units)
- H = **order dimension** = extension
- HH = bracket height
- M = awning width
- MA = **order dimension** = blind fixture width = fixture width
- SF = visible cover (in tracfix systems)
- TB = cover width (in non-tracfix systems)

dimensions in mm

Dimension overview fixture combination 10

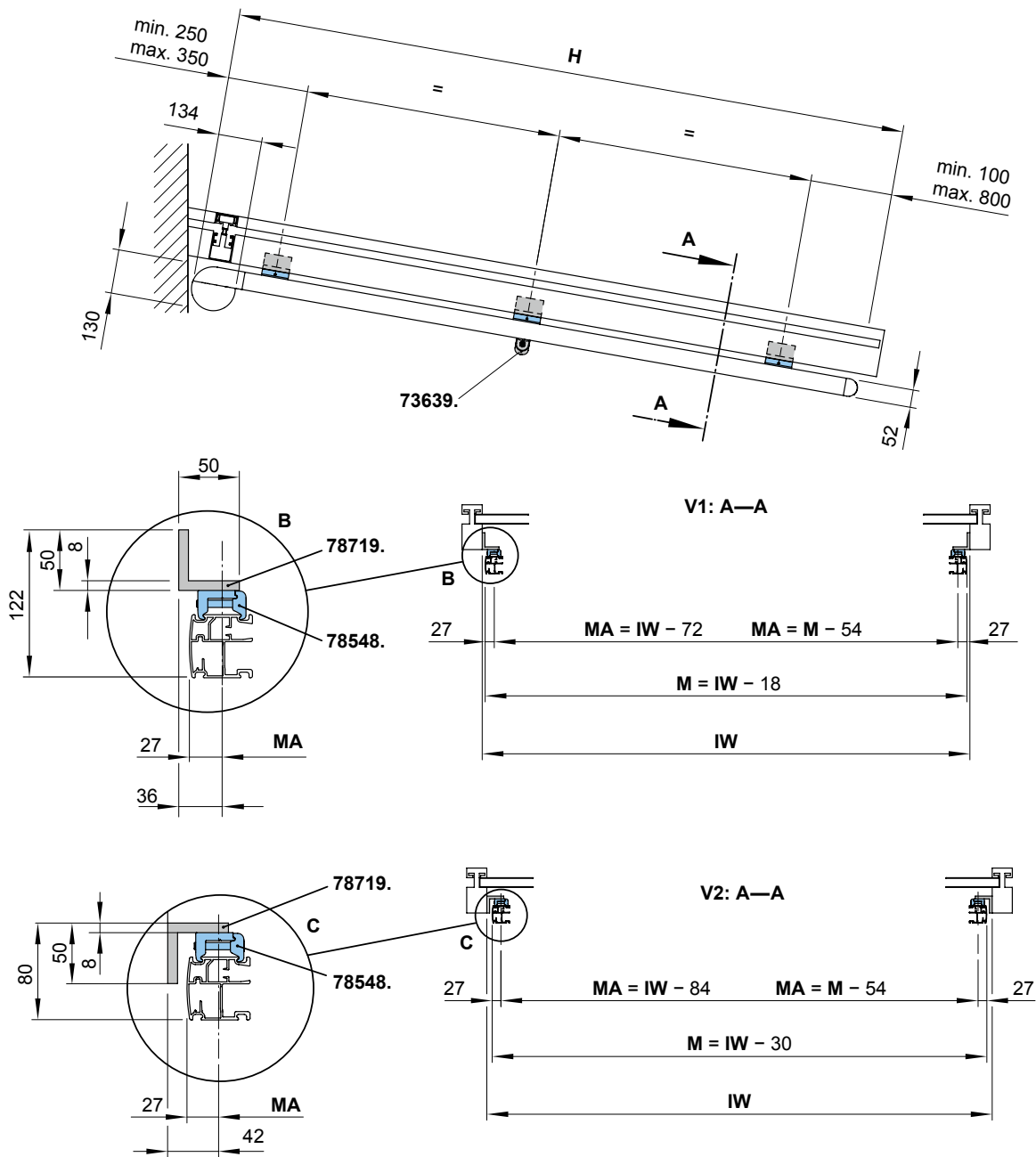


- BW** = width between fixture points on the conservatory
- H** = **order dimension** = extension
- M** = awning width
- MA** = **order dimension** = blind fixture width = fixture width

dimensions in mm

01
02
03
04
05
06
07
08
09
10
11
12
13
14
15
16
17
18
19

Dimension overview fixture combination 15

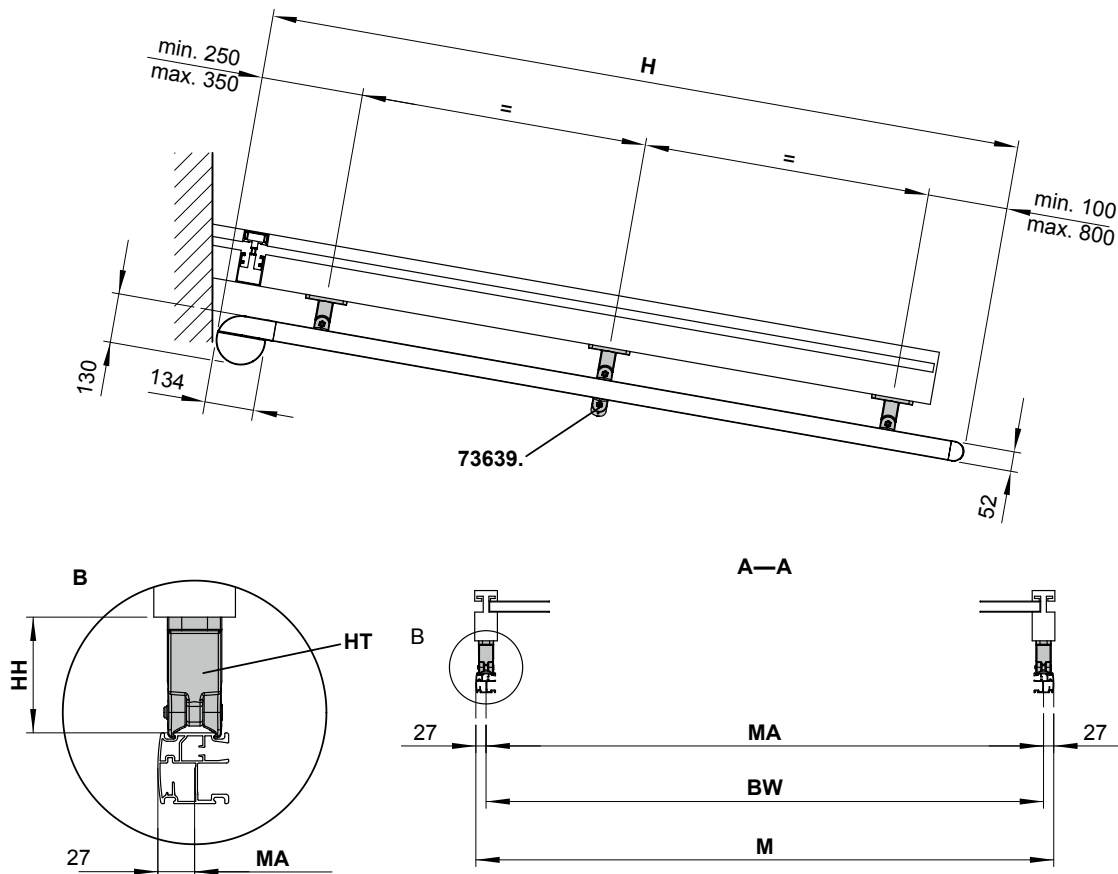


18

- H = **order dimension** = extension
- IW = interior conservatory dimension
- M = awning width
- MA = **order dimension** = blind fixture width = fixture width
- V1, V2 = variants

dimensions in mm

Dimension overview fixture types 20, 21, 22



- BW** = width between fixture points on the conservatory
- H** = **order dimension** = extension
- HH** = bracket height (see for fixture types 10, 20, 21 und 22)
- HT** = bracket
- M** = awning width
- MA** = **order dimension** = blind fixture width = fixture width

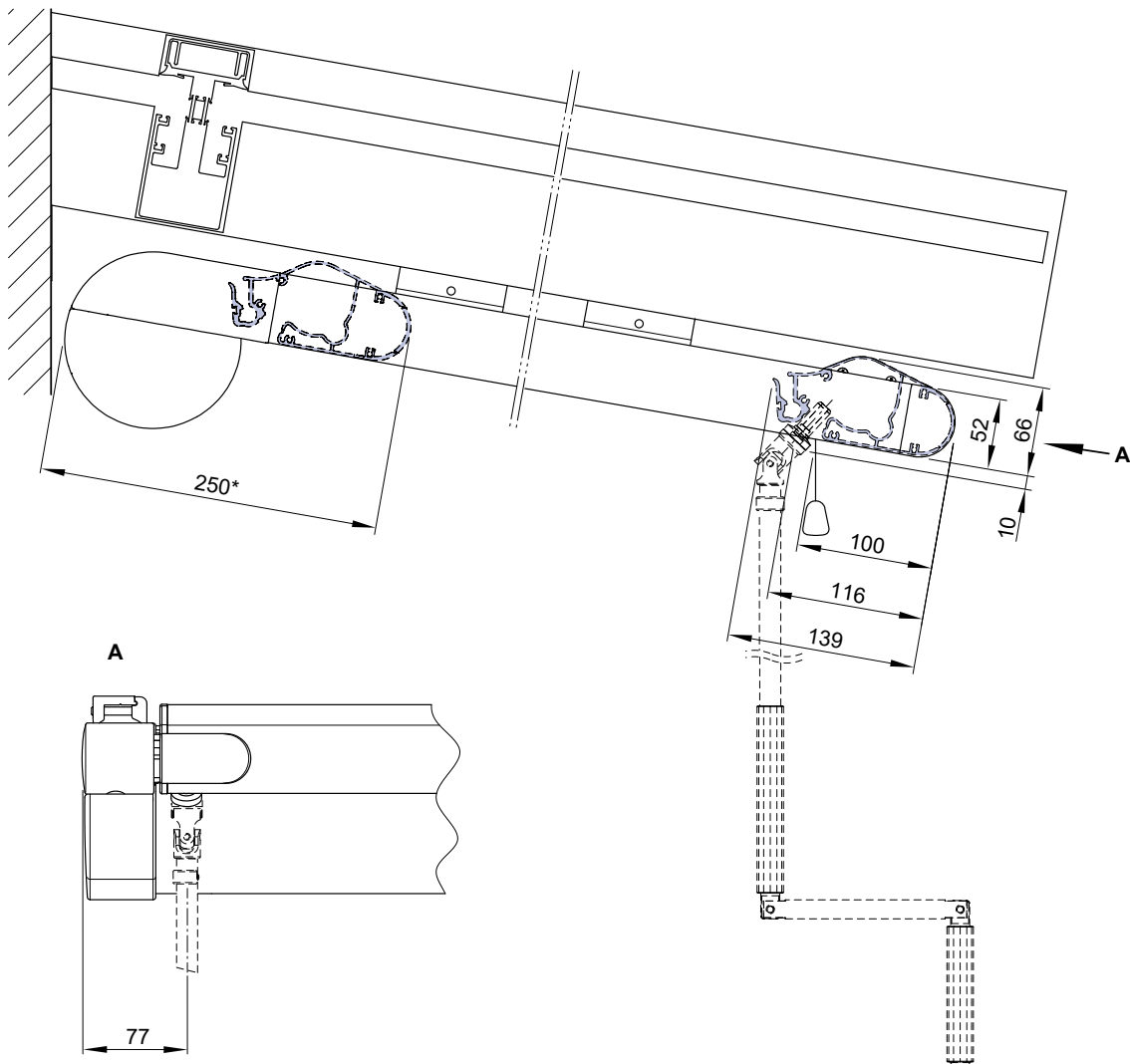
dimensions in mm

01
02
03
04
05
06
07
08
09
10
11
12
13
14
15
16
17
18
19

18

01 **Dimension overview, shadeplus**

02 Magnetic gearbox operation



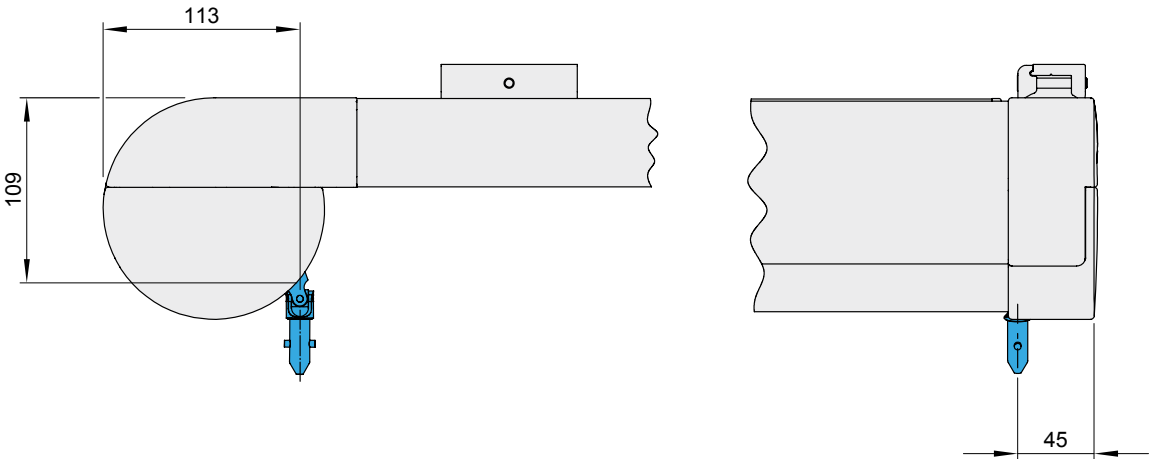
18

19

* = extension when retracted

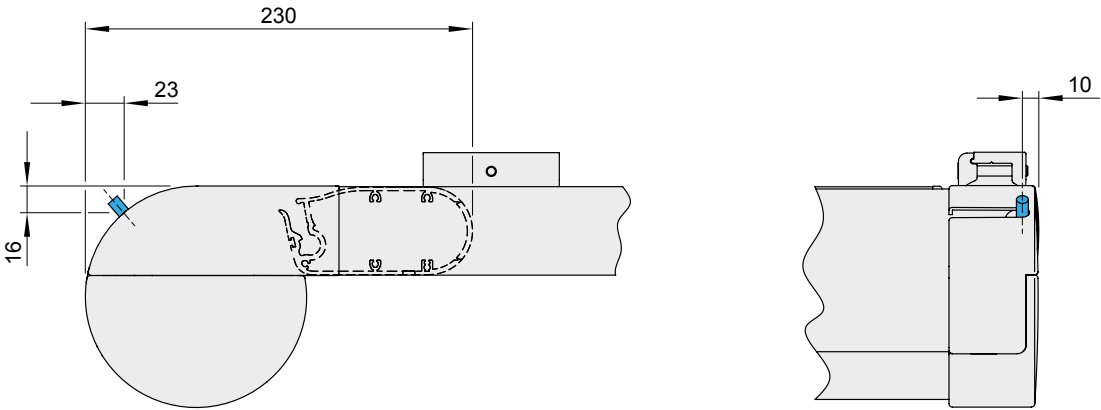
dimensions in mm

Gearbox crank handle position



- 01
- 02
- 03
- 04
- 05
- 06
- 07
- 08
- 09
- 10
- 11
- 12
- 13
- 14
- 15
- 16
- 17
- 18
- 19

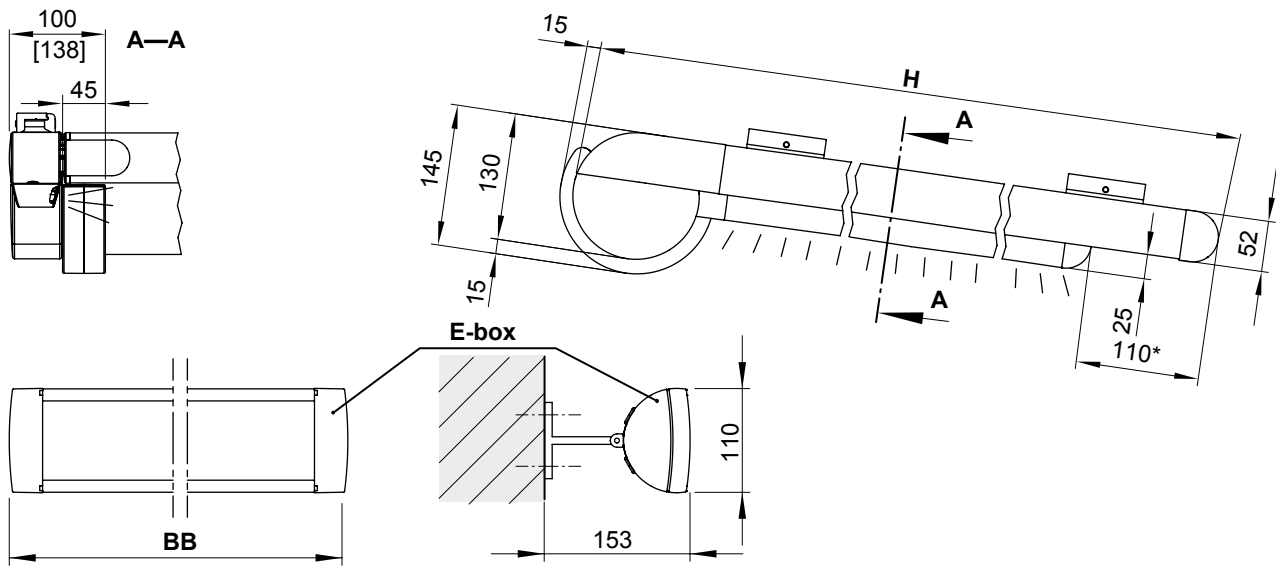
Motor cable exit point



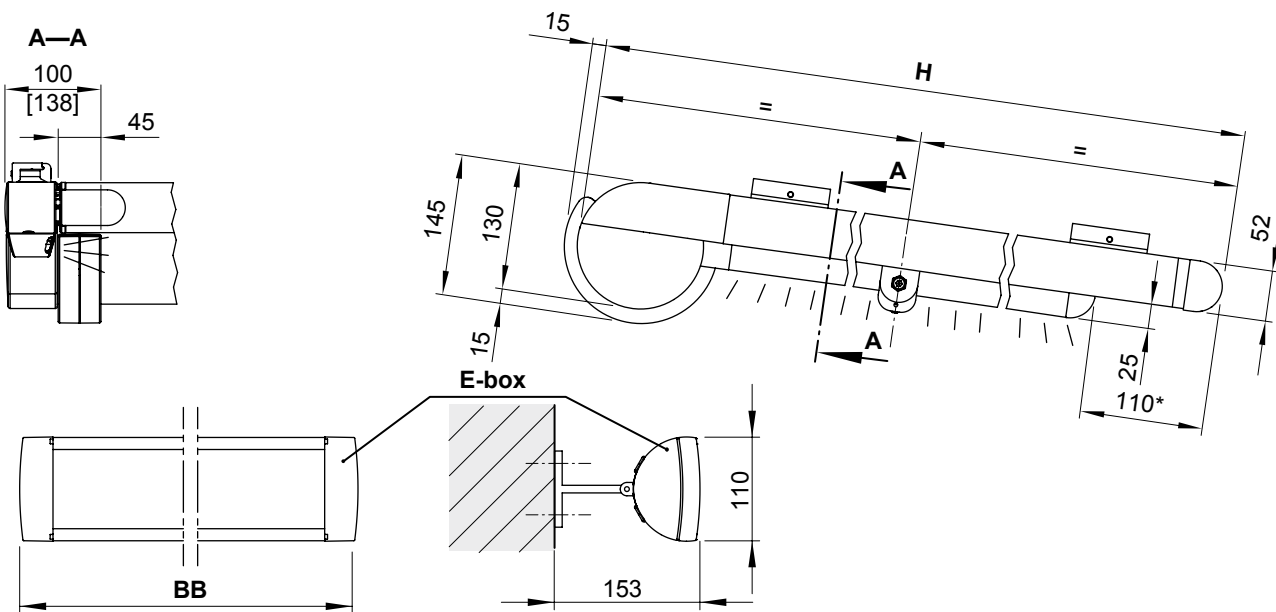
18

Dimension overview with the various lighting options

Option 1: LED-Line in the guide tracks, electronic components in an E-box



Option 1a (from an extension 401 cm): LED-Line in the guide tracks, stainless steel cover support wires, electronic components in an E-box



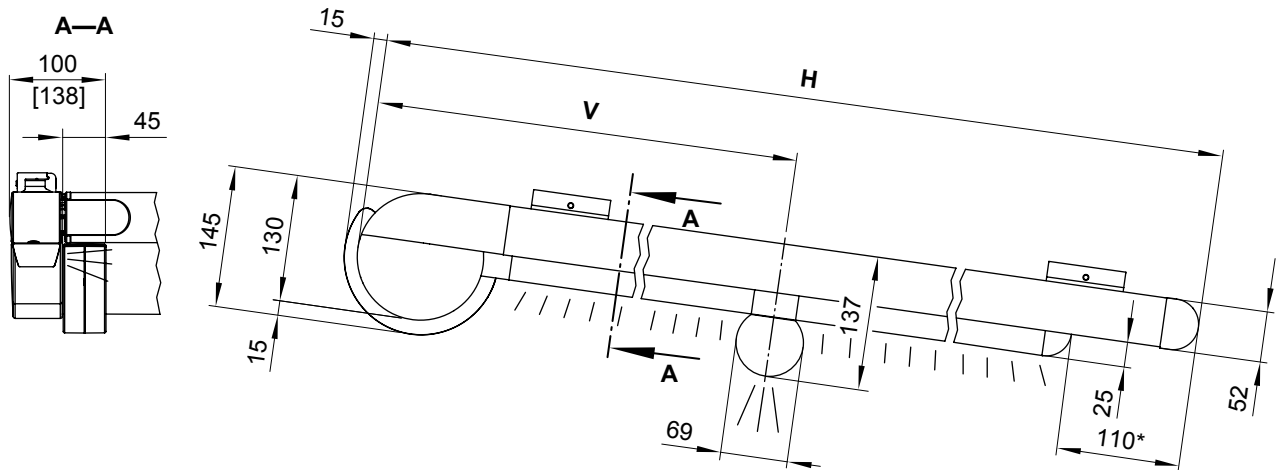
- * = 110 mm standard, 36 mm optional
- ** = cover support wire centred (standard), other positions are possible on request
- [...] = for shadeplus and lighting
- BB = order width
- E-box = see "E-box"
- H = **order dimension** = extension

dimensions in mm

Dimension overview with the various lighting options

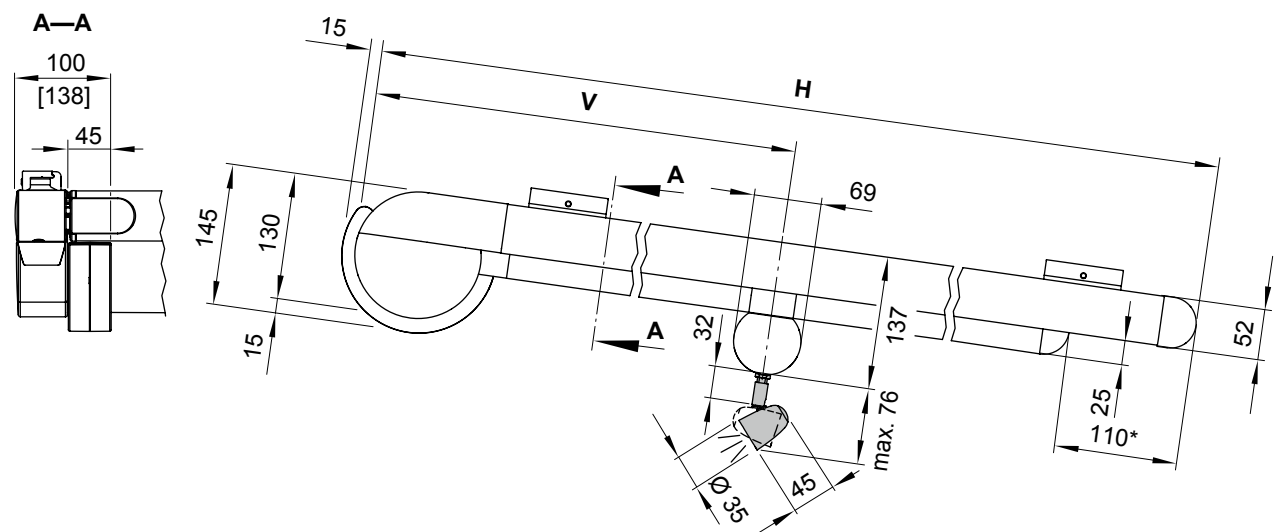
Option 2: LED-Line in the cover support tube, electronic components in the cover support tube

Option 3: LED-Line in the cover support tube and in the guide tracks, electronic components in the cover support tube



Option 4: LED-Line in two cover support tubes, electronic components in the cover support tube

Option 5: LED-Line in two cover support tubes and in the guide tracks, electronic components in the cover support tube



* = 110 mm standard, 36 mm optional

[...] = for shadeplus and lighting

H = **order dimension** = extension

V = lighting distance from back of cassette. Standard: centred ($V = H \div 2$). Optionally this can be stipulated when ordering ($V \text{ min.} = 500 \text{ mm}$, $V \text{ max.} = H - 500 \text{ mm}$)

Y = distance rear cassette edge to center of 1. support tube

Z = distance center of 1. to 2. support tube

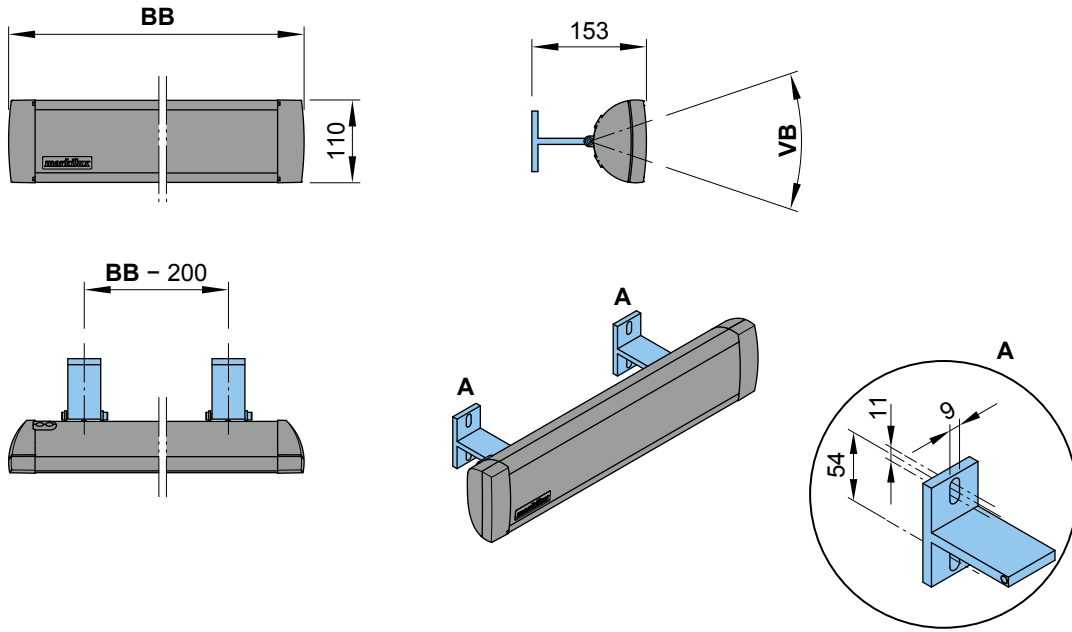
dimensions in mm

01
02
03
04
05
06
07
08
09
10
11
12
13
14
15
16
17
18
19

18

01 **E-box**

02 Overview of dimensions



14 Dimension overview and applications

15 wireless technology

16 Extension **H [cm]**

	433 RTS MHz		868 MHz io	
< 330 cm	≥ 330 cm	< 330 cm	≥ 330 cm	

17 **Lighting options**

LED-Line in the guide tracks with or without cover support wire	E-box M 71850. BB = 500 mm	E-box G 71873. BB = 700 mm	E-box M 71850. BB = 500 mm
---	--	--	--

18

19 for independent use

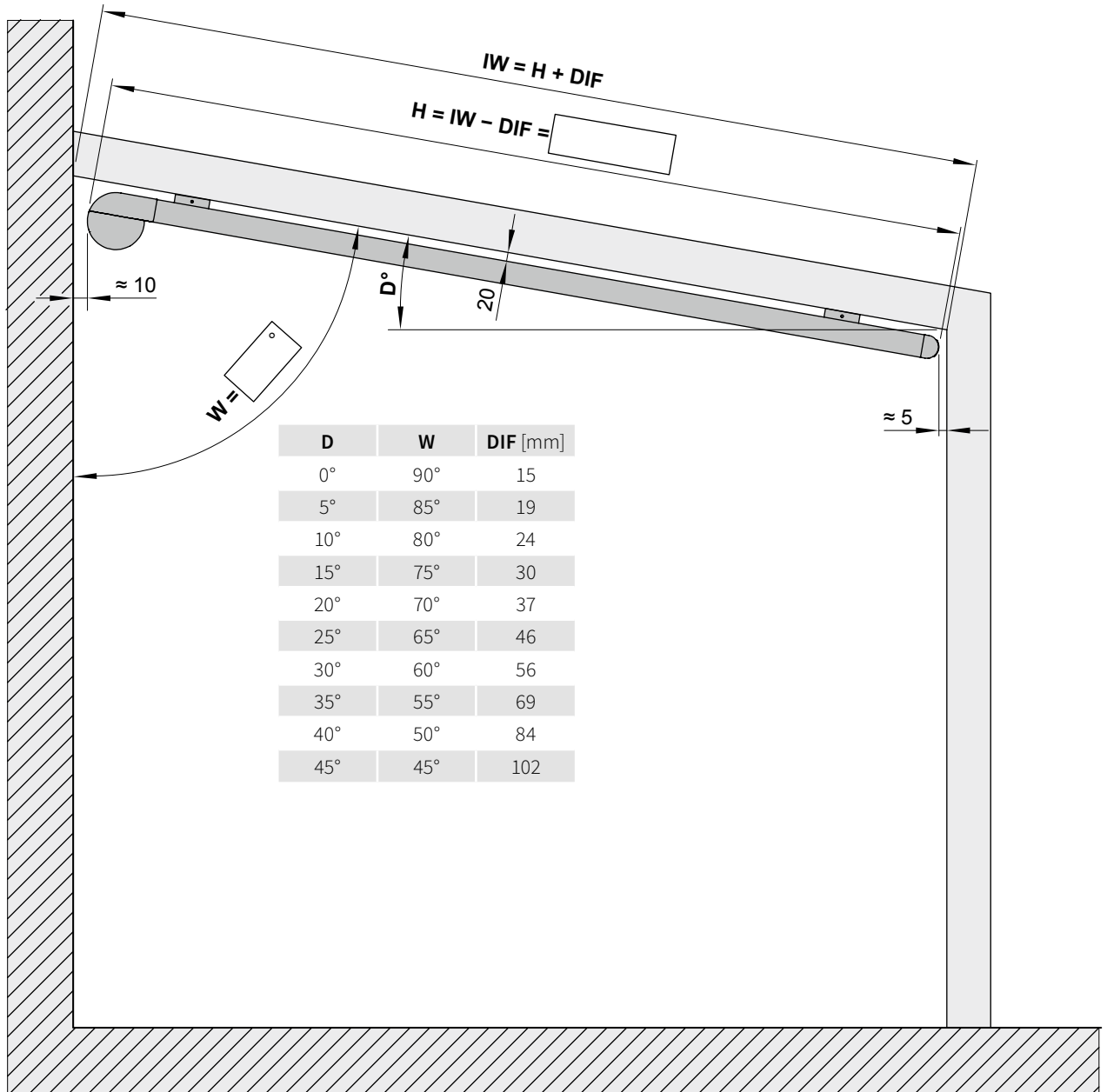
E-box **I**
71851.
BB = to order

BB = order width
VB = adjustment range

dimensions in mm

Dimensions for taking measurements

Awning without lighting



Orders are to be submitted with all the dimensions shown in the diagram!

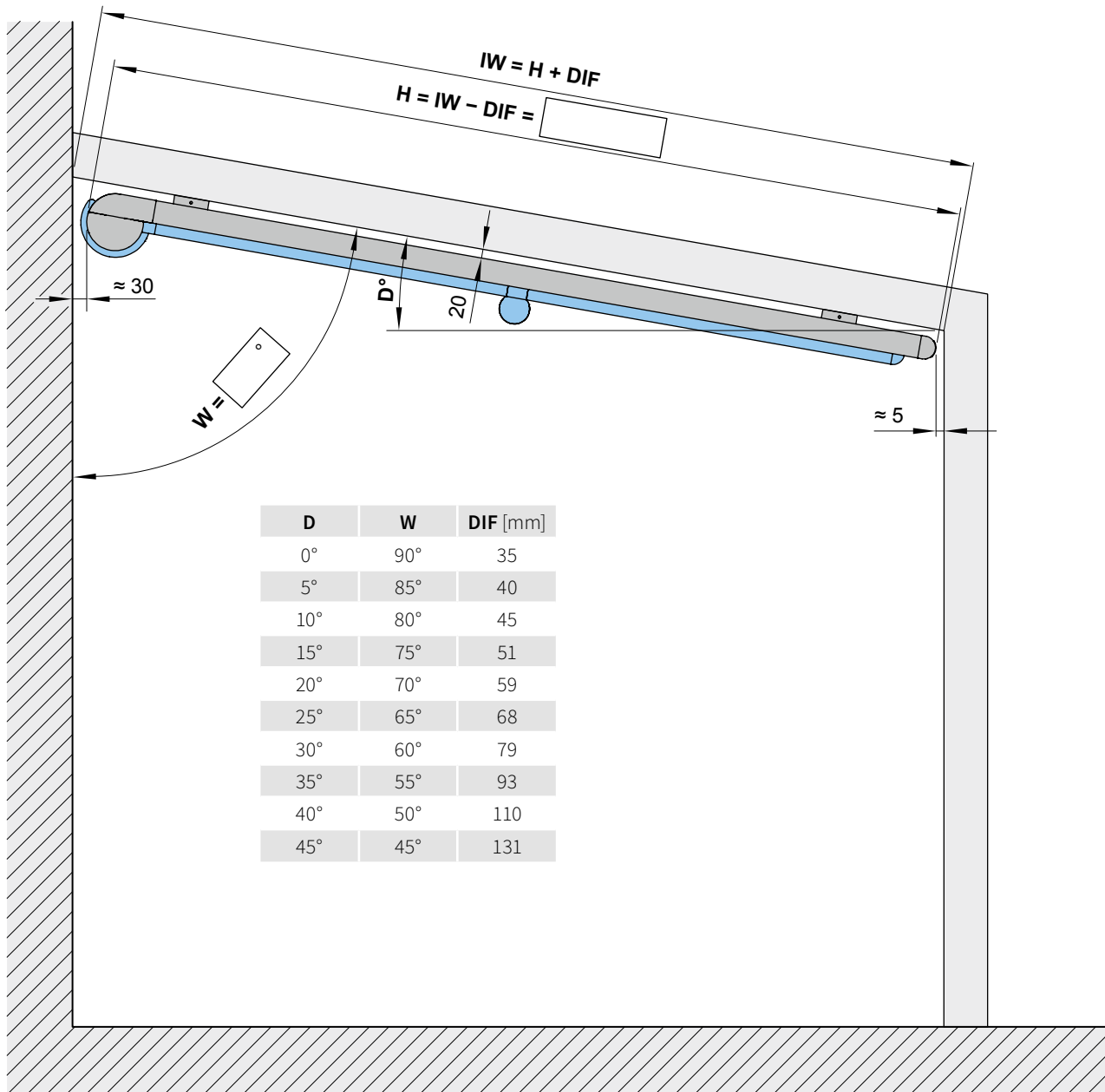
- D** = roof pitch (in °)
- DIF** = difference interior conservatory measurement to extension H
- H** = **order dimension** = nominal extension = $IW - DIF$ (see table)
- IW** = interior conservatory dimension
- W** = awning pitch (in °)

dimensions in mm

01
02
03
04
05
06
07
08
09
10
11
12
13
14
15
16
17
18
19

01 **Dimensions for taking measurements**

02 Awning with lighting



18

Orders are to be submitted with all the dimensions shown in the diagram!

- D = roof pitch (in °)
- DIF = difference interior conservatory measurement to extension H
- H = **order dimension** = nominal extension = IW - DIF (see table)
- IW = interior conservatory dimension
- W = awning pitch (in °)

dimensions in mm