











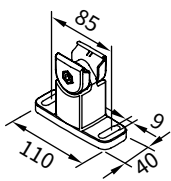
01 **Fixtures, fittings and accessories**

02

03

04

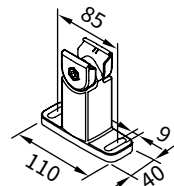
05



track bracket, with adjustable head  
80 mm

fixture type 20

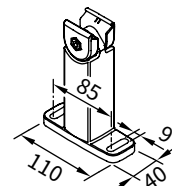
**73624.**



track bracket, with adjustable head

100 mm

**76046.**



track bracket, with adjustable head  
140 mm

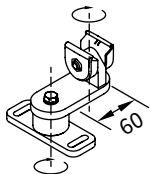
**76048.**

06

07

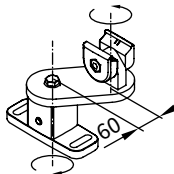
08

09



windmill track bracket  
80 mm

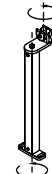
**73629.**



windmill track bracket

100 mm

**76054.**



universal track bracket  
with adjustable head

140-500 mm

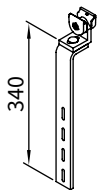
**76053.**

10

11

12

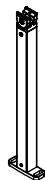
13



flat track bracket  
with adjustable head

for lateral guide track  
fixture

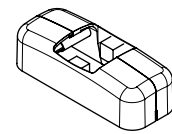
**76049.**



track bracket, with adjustable head

140-500 mm

**76047.**



covering cap  
for square track bracket

standard accessory for  
bracket

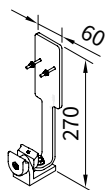
**2 × 76718.**

14

15

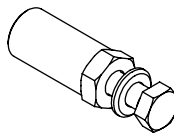
16

17



fixture bracket for light  
and / or wind and/or  
rain sensor

**76050.**



reduction bolt  
M 10 → M 6 / SW 13

pack 10 pcs

**753211**

18

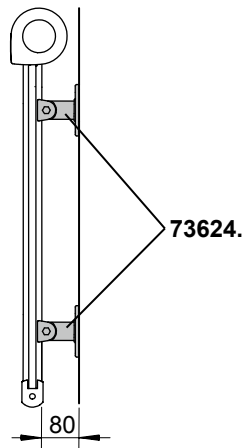
19

## Fixture types

### Overview of dimensions

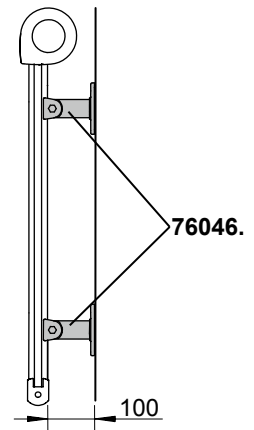
**20**

clearance 80 mm



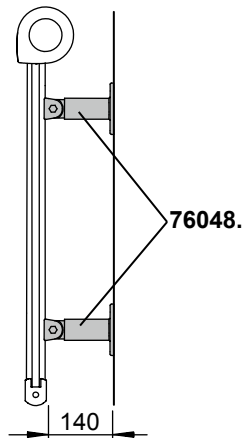
**21**

clearance 100 mm



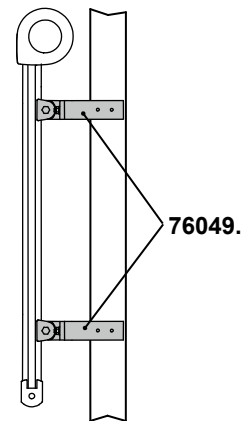
**22**

clearance 140 mm



**30**

Flat track bracket



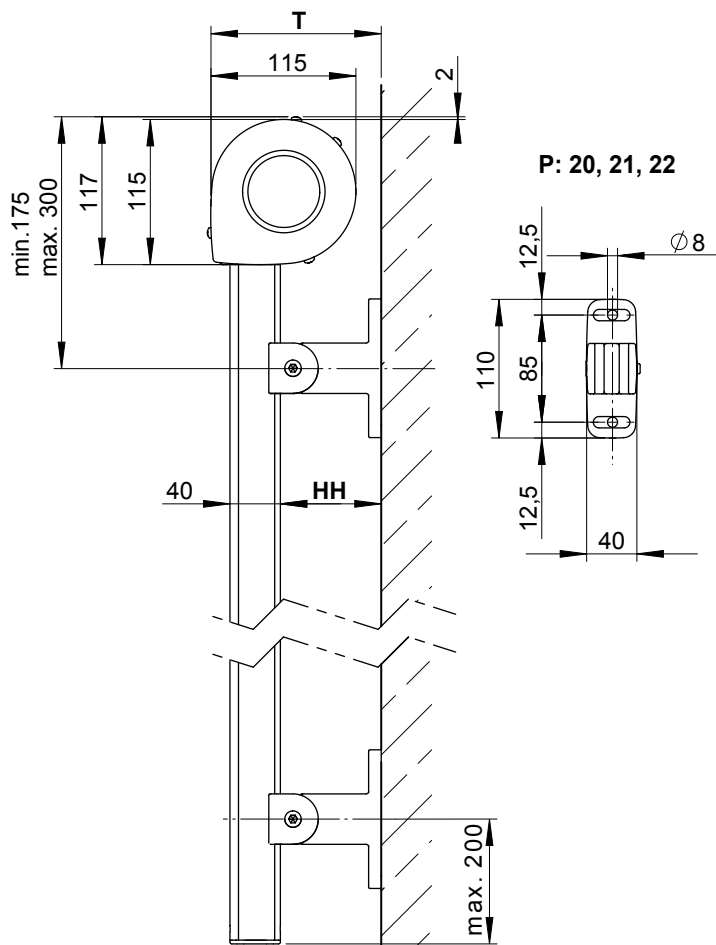
### Individual bracket selection:

See "Fixtures, fittings and accessories". Awning extension > 250 cm, always 3 brackets per guide track.

- 01
- 02
- 03
- 04
- 05
- 06
- 07
- 08
- 09
- 10
- 11**
- 12
- 13
- 14
- 15
- 16
- 17
- 18
- 19

# Fixture types

## Overview of dimensions



11

**Fixture type 20**

**Fixture type 21**

**Fixture type 22**

<b>HT</b>	= bracket	73624.	76046.	76048.
<b>HH</b>	= bracket height	80	100	140
<b>T</b>	= overall height	130	150	190

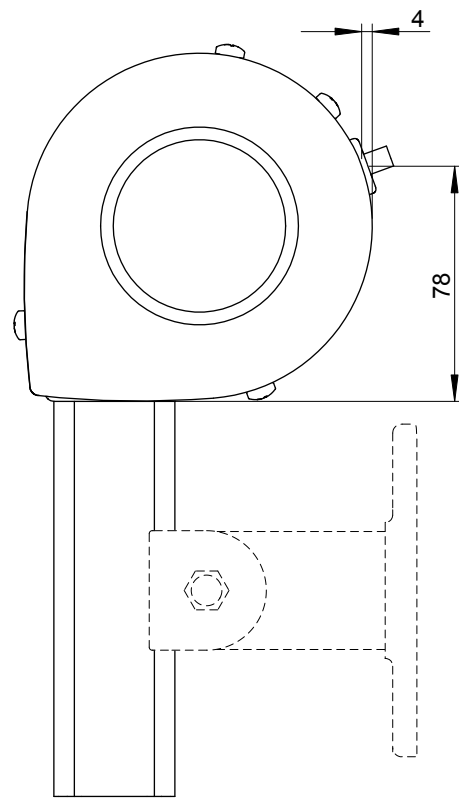
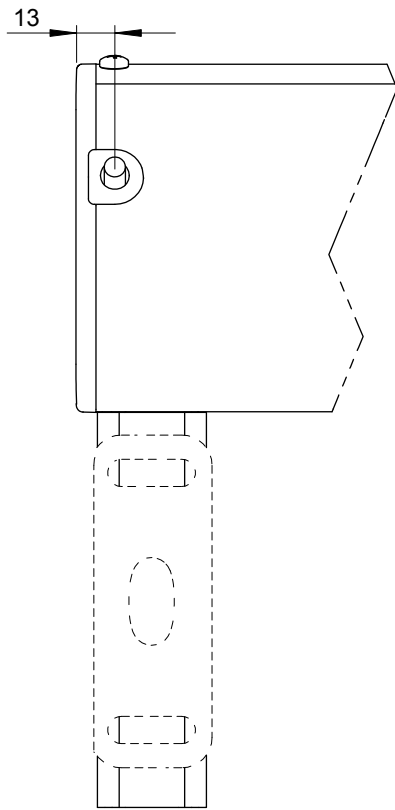
**MA** = blind width / fixture width

**P** = fixture type

**\*** = extension when retracted



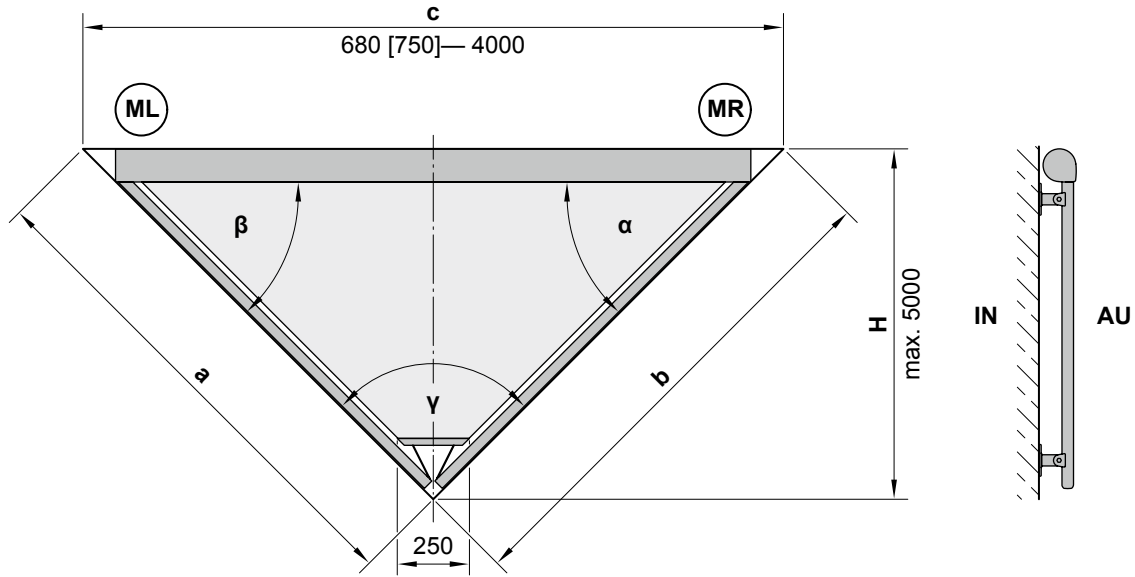
### Motor cable exit point



- 01
- 02
- 03
- 04
- 05
- 06
- 07
- 08
- 09
- 10
- 11**
- 12
- 13
- 14
- 15
- 16
- 17
- 18
- 19

# Dimensions for taking measurements

Symmetrical unit



Dimensions required for placing an order

**Option 1:**

length of all 3 sides

a = \_\_\_\_\_

b = \_\_\_\_\_

c = \_\_\_\_\_

**Option 2:**

length of any 2 sides lengths

a = \_\_\_\_\_

b = \_\_\_\_\_

c = \_\_\_\_\_

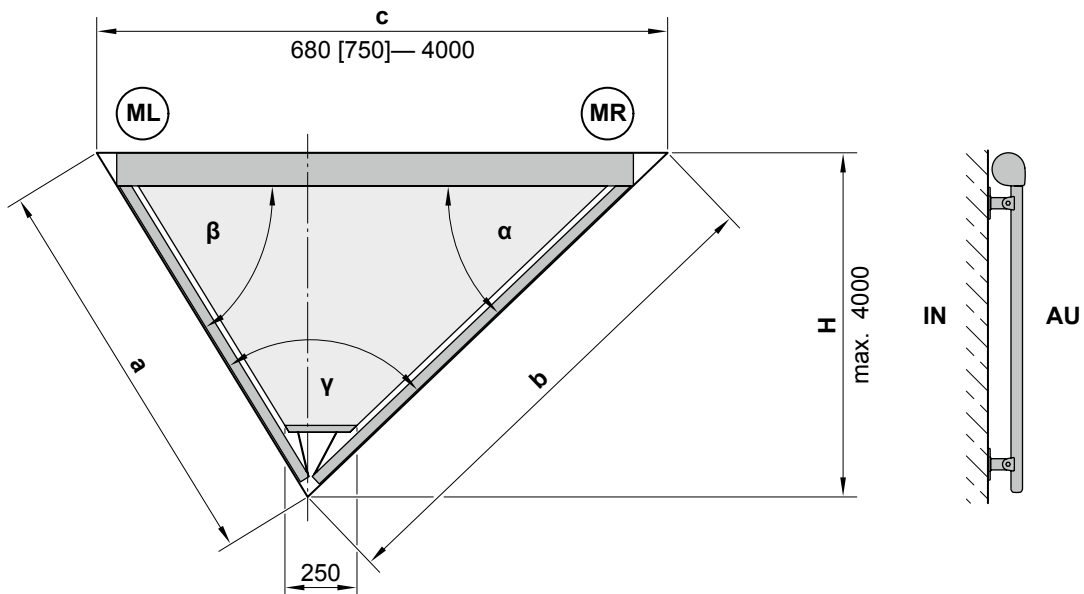
and the size of any 1 angle

α = (45°—75°)

β = (45°—75°)

γ = (30°—90°)

Asymmetrical unit



- a = length of side a
- b = length of side b
- c = length of side c
- α = angle opposite side a
- β = angle opposite side b
- γ = angle opposite side c

- AU = exterior
- H = unit height
- IN = interior
- ML = motor on the left
- MR = motor on the right
- [] = dimensions radio-controlled motor

dimensions in mm