



Pergola awning

markilux pergola compact

The graceful awning system that can be used as sun and wet weather protection for the patio – highly modern design with an appealing, square cassette.



reddot design award
winner 2017

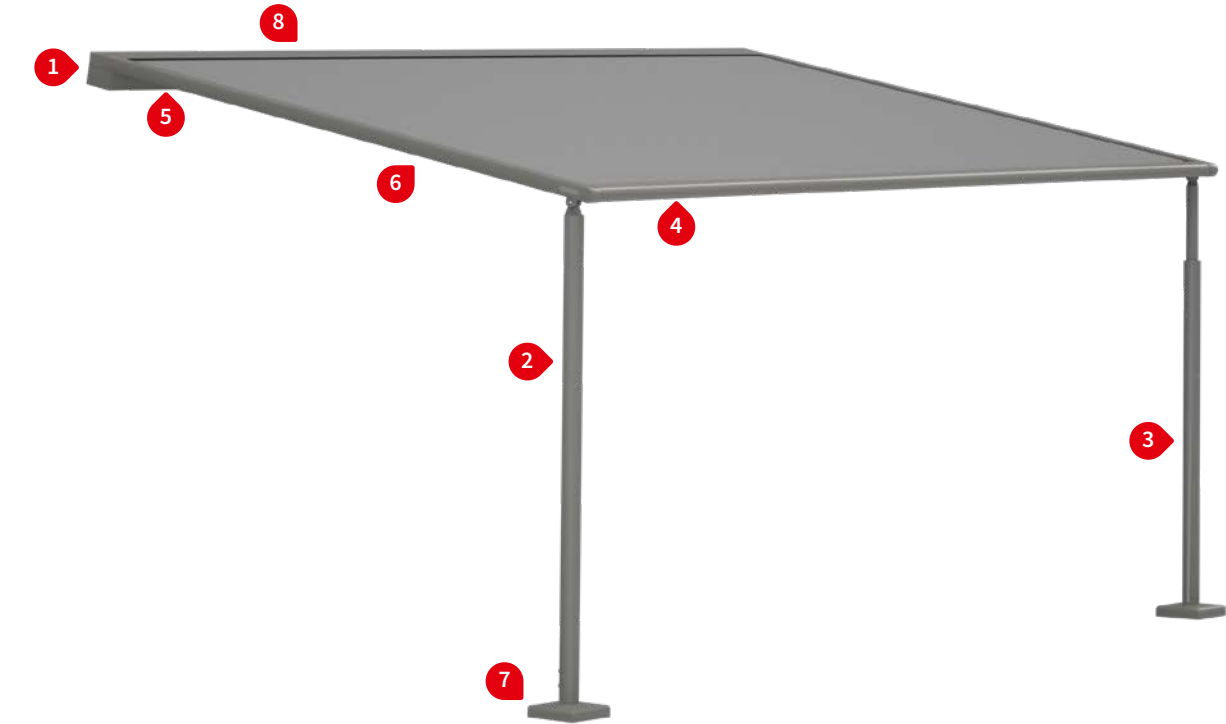


markilux
safe timeless beautiful

Product Characteristics

Wind resistance class 3
Beaufort 6 → 38–48 km/h → 10.5–13.4 m/s → 24–30 mph

01
02
03
04
05
06
07
08
09
10
11
12
13



1) face fixture depicted by way of example



2) manufacture with square or round posts



3) adjustable post¹⁾ manual or motor-driven



4) shadeplus¹⁾, manual operation, during extension



5) LED-Line in the cassette¹⁾



6) combination of LED-Line and LED-Spots¹⁾



7) footplate cover standard



7) support post with stabilisation box¹⁾



8) wall sealing profile¹⁾



1) Optional accessories

Product Characteristics

Description

- awning system with lateral guide tracks resting on posts at the front, making an extension of 4 meters possible and the shading of up to 18 m² with a single awning. Thanks to the tracfix cover guidance system, the sophisticated and reliable tensioning technology and its sturdy construction, the system can be used up to Beaufort 6 (wind resistance class 3).

Special features

- fully encompassing cassette that protects the cover perfectly
- tried-and-tested tensioning system with drive belts and integrated gas pistons – delivers optimum cover tension – in any phase of extension
- with tracfix system, the continuous lateral cover guidance system that leaves no gap between the cover and guide tracks – gives improved wind stability and a cleaner appearance
- various lighting combinations available: LED Line in the guide tracks, LED Line in the cassette or LED Spots attached to the cassette, LED Line in the lighting bar or LED Spots fitted to the lighting bar – individually configurable lighting options which provide a pleasant atmosphere in the evening
- a shadeplus with a height of 210 is optional - integrated vertical sun and privacy protection in the front profile, manually operated
- an optional telescopic post, manually operated, ensures water drainage, even at the low minimum pitch of 8°
- support posts optionally round or square, incl. screw-on footplates or ballast boxes for versatile installation
- can be combined perfectly with the markilux syncra, the vertical roller blinds markilux 776 tracfix, markilux 876 tracfix and the side screen markilux 790

Dimensions

- fixture width 72–450 cm, maximum extension 400 cm
- maximum width x extension: 455.4 × 400 cm
- intermediate sizes are available

Roller tube and lateral bearings

- round roller tube Ø 85 mm with keyway, galvanised steel – excellent stability, ensures near perfect cover performance even at the largest widths
- the roller tube bearing is made of stainless steel

Awning profiles

- extruded aluminium, in façade quality, powder coated
- cassette profile in two pieces, square, height × depth 125 mm × 125 mm
- guide tracks angular, rounded edges, width × depth 52 mm × 52 mm
- front profile rounded at the front, depth × height 110 mm × 52 mm, shadeplus profile depth × height 139 mm × 66 mm

End caps

- the cassette end caps are made of die-cast aluminium, in two parts, powder coated
- the guide track end caps are made of high-quality plastic, powder coated

Fixture brackets and support posts

- extruded aluminium, powder coated
- cassette brackets: face fixture, top fixture, eaves fixture
- posts square 70 × 70 mm or round Ø 70 mm, standard height 250 cm, intermediate heights up to a maximum of 300 cm are available, fixed posts with footplate min. 36 cm and with a ballast box min. 60 cm in height, telescopic posts with footplate min. 157 cm and with ballast box min. 198 cm in height
- screw-on footplate 200 × 200 mm
- footplate cover 212 × 212 mm in one piece, height 48 mm, is made of die-cast aluminium, corners rounded
- a version of the support posts with optional ballast box 600 × 600 mm × 525 mm (w×d×h), for versatile installation is available

N.B! For additional information and configuration options, please refer to the chapters “General Information” and “markilux Optional- Accessories” in the sales manual “Designer Awnings for Conservatories, Glass Canopies and Windows”.

01

02

03

04

05

06

07

08

09

10

11

12

13

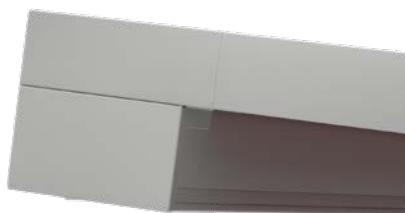
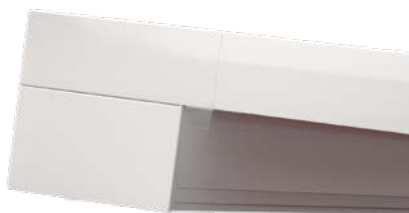
01 **Frame colours**

02 markilux frame colours without surcharge

03 traffic white, RAL 9016

metallic aluminium, RAL 9006

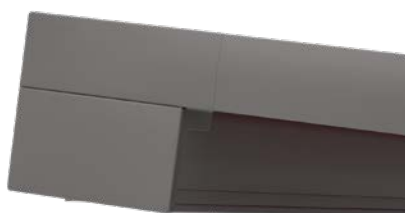
grey brown, similar to RAL 8019



07 off-white textured finish, 5233 ¹⁾

stone grey metallic, 5215 ¹⁾

anthracite metallic, 5204 ¹⁾



12 havana brown textured finish, 5229 ¹⁾



Non-standard powder-coated finish

Bespoke frame colours incur a surcharge – matt, metallic, finely textured and pearl finishes as well as other colour ranges (DB, Tiger etc.) on request. All frame colours are available at a surcharge with enhanced corrosion protection.

Colours may differ slightly from those depicted in both hue and finish.


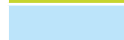
¹⁾ textured finish

Dimensions and configuration options

Single unit

	Awning fixture width						Minimum awning fixture width	
	200 ¹⁾	250	300	350	400	450	Hard-wired motor	Radio-controlled motor
Order dimensions	72	201	251	301	351	401	72	82
Overall Awning width	200	250	300	350	400	450		
	+ 5,4						107 ²⁾	107 ²⁾
H	150 ¹⁾							
	200							
	250							
	300							
	350							
	400							

- 1) = drop valance not available
- 2) = from an extension of 281 cm
- H = **order dimension** = extension

 = optionally available with 20 cm telescopic post
 = optionally available with 30 cm telescopic post

dimensions in cm

The minimum pitch that will ensure water drainage

	extension ≤ 250 cm	extension ≥ 251 ≤ 350 cm	extension ≥ 351 cm
unit with fixed posts, without shadeplus	15°	15°	15°
unit with fixed posts, with shadeplus	18°	18°	18°
unit with telescopic post, without / with shadeplus	8°	9°	10°

Operation

	standard	optional
crank handle	—	—
hard-wired motor	✓	—
silentec motor (optionally with an external io / RTS receiver)	—	—
radio-controlled motor io, 868 MHz	—	✓
radio-controlled motor RTS, 433 MHz	—	✓
868 MHz radio-controlled motor io with manual override	—	—

Coupled awnings

not available

Shadeplus

	standard	optional
height depends on fabric pattern, see table "Shadeplus cover"		
awning fixture width minimum 201 cm – maximum 450 cm		
crank handle	✓	—
hard-wired motor	—	—
radio-controlled motor io, 868 MHz	—	—
radio-controlled motor RTS, 433 MHz	—	—

Optional accessories

adjustable posts, manual or motor-driven
posts with stabilisation boxes
shadeplus, manual
infrared heater 2500 W
infrared heater 2500 W with integrated radio-controlled receiver 868 MHz io
wall sealing profile
LED-Line in the cassette ¹⁾
LED-Spots attached to the cassette ¹⁾
LED-Line attached to the guide tracks
LED-Line in the cover support tube ²⁾
LED-Spots in the cover support tube ²⁾
vertical cassette blind markilux 776 tracfix / 876 tracfix
automatic controls (light, wind, rain)

N.B. Important background information can be found in the chapter "Optional Accessories"

- 1) cannot be combined with each other
- 2) cannot be combined with each other

01
02
03
04
05
06
07
08
09
10
11
12
13

Dimensions and configuration options

Awning cover	fabric pattern no.	standard	optional
sunvas	300..-315..	✓	—
sunsilk	324.. / 325.. / 328.. / 369..	✓	—
sunbow	411..-427..	✓	—
smart art	340..	—	✓
perla FR	371.. / 372..	—	✓
perfortex	331.. / 332..	✓	—
transolair	338..	—	✓
transolair (120 cm)	339..	—	✓
vuscreen Alu	317..	—	✓
Soltis Perform 92	92-..	—	✓

Shadeplus / drop valance with magnetic, articulated crank handle

shadeplus / drop valance cover ¹⁾	fabric pattern no.	standard	optional	Awning fixture width	height	tailored cloth
sunvas	309.. / 310.. / 311..	✓	—	≤ 450	210	QN
sunsilk	324.. / 325..	✓	—	≤ 450	210	QN
sunbow	411.. / 414.. / 421.. / 424..	✓	—	≤ 450	210	QN
transolair	338..	—	✓	≤ 450	210	N
transolair (120 cm)	339..	—	✓	≤ 450	210	QN
vuscreen Alu	317..	—	✓	≤ 450	150	N
Soltis Perform 92	92-..	—	✓	≤ 450	210	QN
Serge 600	272..	—	✓	≤ 450	210	N
perfortex	331.. / 332..	—	—			
perla FR	371.. / 372..	—	—			

1) Shadeplus cover is narrower than the awning cover

N = Seamless

QN = Horizontal seam(s)

Only available in plain seamless fabrics (oversized, fabric width > 120 cm) or in plains with a horizontal joint (fabric width 120 cm)

N.B! Covers made from fabrics 120 cm wide will have a horizontal joint!

As a result, a fabric with a textured or flecked pattern will take on an appearance different from that of the awning cover if made from the same fabric.

markilux shadeplus

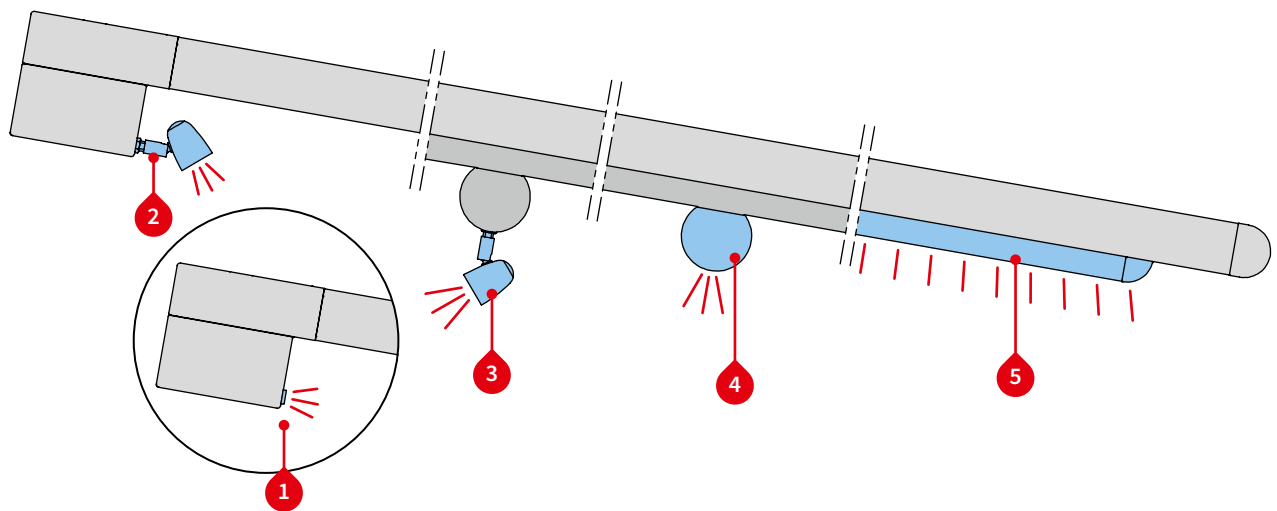
Tips for selecting a shadeplus fabric

Ideally, a shadeplus cover should be made **seamlessly** or with horizontal panels (the cover then has a **horizontal seam**) in order to achieve the best result.

Seamless fabric qualities are: sunvas oversized material and transolair series 338.. Fabric qualities with a horizontal seam are: plain fabrics from the sunsilk, sunvas, sunbow collections and transolair series 339.. as well as from the Soltis Perform 92 series.

Owing to the small winding diameter, the rolling up characteristics and the resulting visual appearance of the cover, shadeplus covers made with vertical seams are not recommended.

Lighting options



01
02
03
04
05
06
07
08
09
10
11
12
13

Lighting options

- 1** LED-Line in the cassette ¹⁾
- 2** LED-Spots attached to the cassette ¹⁾
- 3** LED-Spots in the cover support tube ²⁾
- 4** LED-Line in the cover support tube ²⁾
- 5** LED-Line attached to the guide tracks

For combination possibilities please view section "Dimension overview lighting options"

- 1)** cannot be combined with each other
- 2)** cannot be combined with each other

Controls

	standard	optional
on/off switch	—	✓
radio-controlled dimmer io 868 MHz	✓	—
radio-controlled dimmer RTS 433 MHz	—	✓

1 including **4** including **5** LED-Line in the cassette / in the cover support tube / attached to the guide tracks

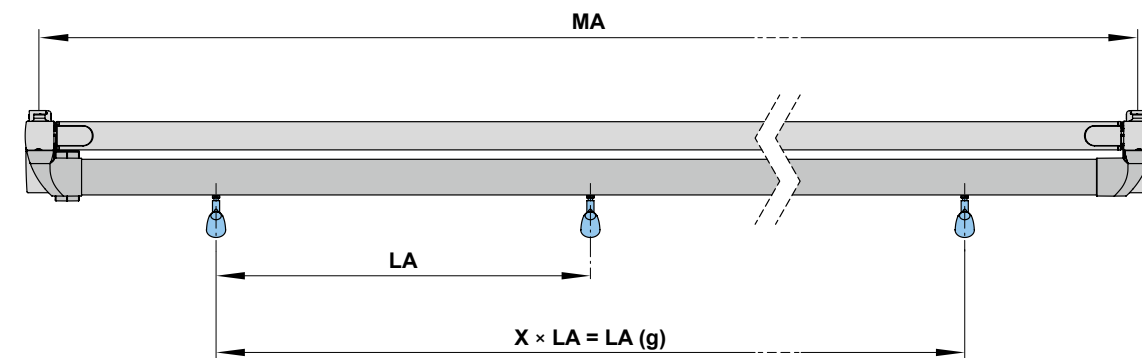
Technical specification

operating voltage	230 V, 50 Hz
power output per metre	10 W
light source	LED (12 V)
number of LEDs	120 units / m
number of transformers	1 unit
light temperature	warm white
IP protection class	IP 44
service life	approx. 15.000 h

01
02
03
04
05
06
07
08
09
10
11
12
13

Distribution of the LED-Spots

2 and 3 in the cassette and in the cover support tube



Awning fixture width	no. of spots	LA	LA (g)
150-250	3	65	130
251-300	3	98	196
301-350	3	98	196
351-400	4	98	294
401-450	4	98	294

2 including 3 LED-Spots attached to the cassette or cover support tube

Technical specification

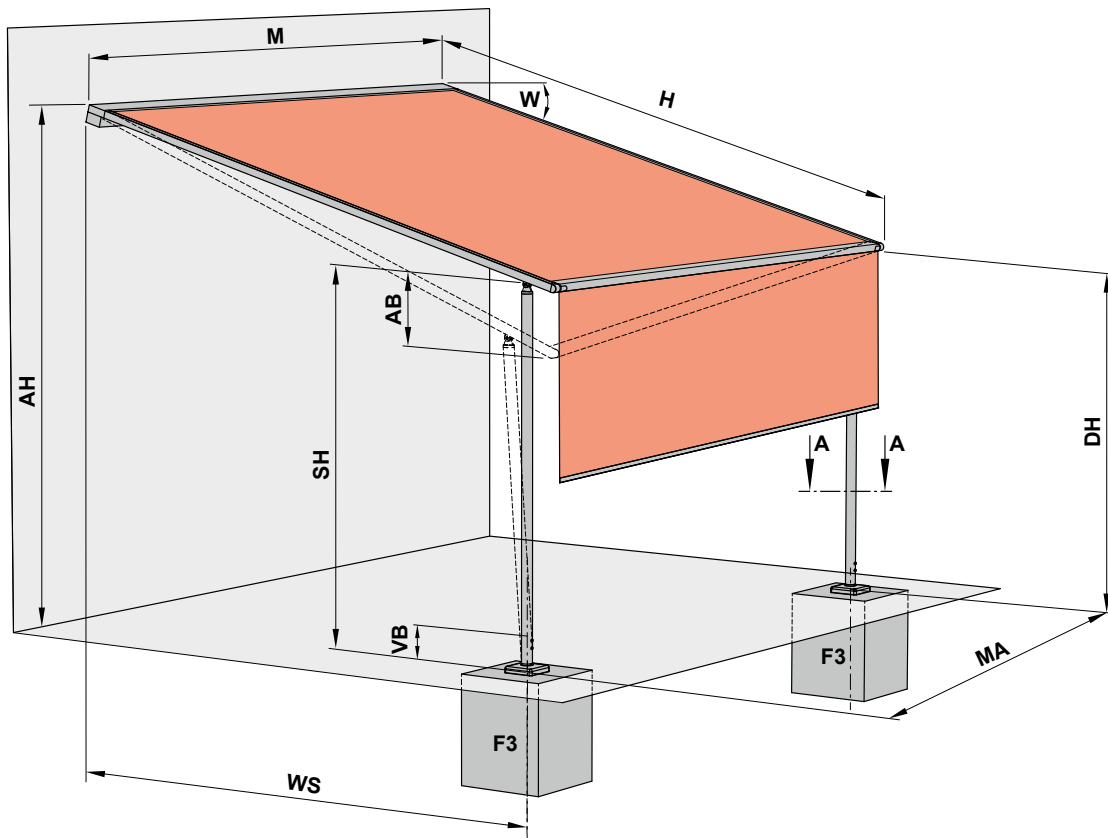
operating voltage	230 V, 50 Hz
power output of one LED spotlight	5 W
light source	LED (12 V)
number of transformers	1 unit
light temperature	warm white
IP protection class	IP 44
service life	approx. 20,000 hours

- LA = distance between the spots
- LA (g) = distance between the spotlights (total)
- MA = **order dimension**= awning fixture width = fixture width

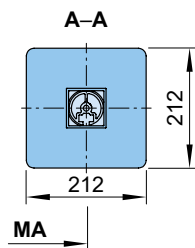
dimensions in cm

Overview of dimensions

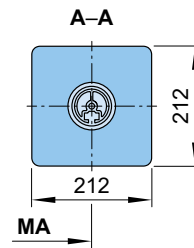
Support post fixture to a concrete footing



Square posts



Round posts



- AB** = telescopic range of a post 200 mm or 300 mm, optionally on the left / right, see "Dimensions and configuration option"
- AH** = fixture height
- DH** = headroom
- F3** = concrete footing
- H** = **order dimension** = extension
- M** = overall awning width = **MA** + 54 mm

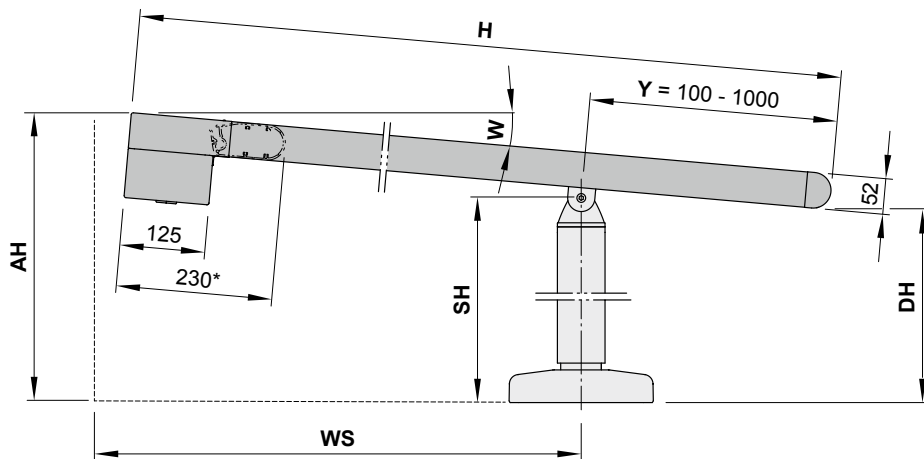
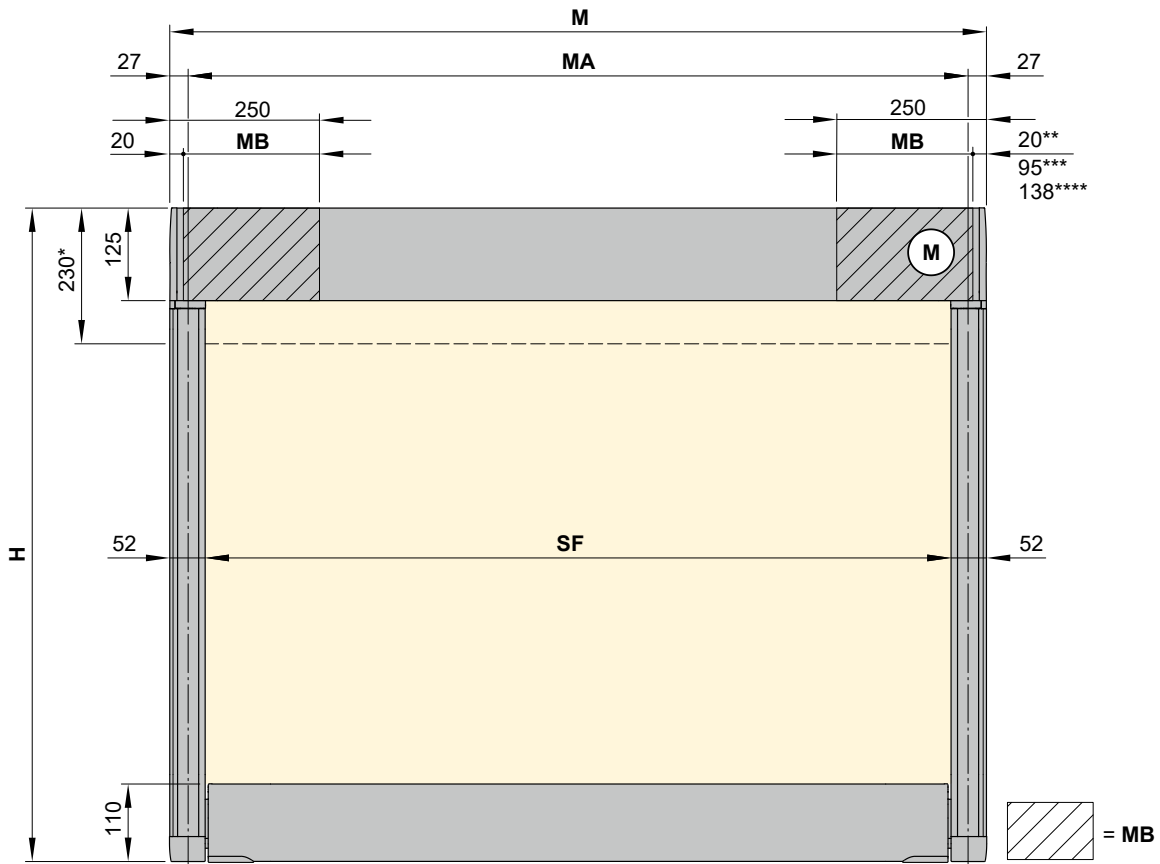
- MA** = **order dimension** = awning fixture width
- SH** = **order dimension** = support post height, standard height 2500 mm (special heights on request)
- VB** = height adjustment at the base of both the front support posts during installation approx. 100 mm
- W** = pitch setting = 5°-35°
- WS** = distance from wall ↔ support post centre

dimensions in mm

- 01
- 02
- 03**
- 04
- 05
- 06
- 07
- 08
- 09
- 10
- 11
- 12
- 13

Overview of dimensions

Single unit



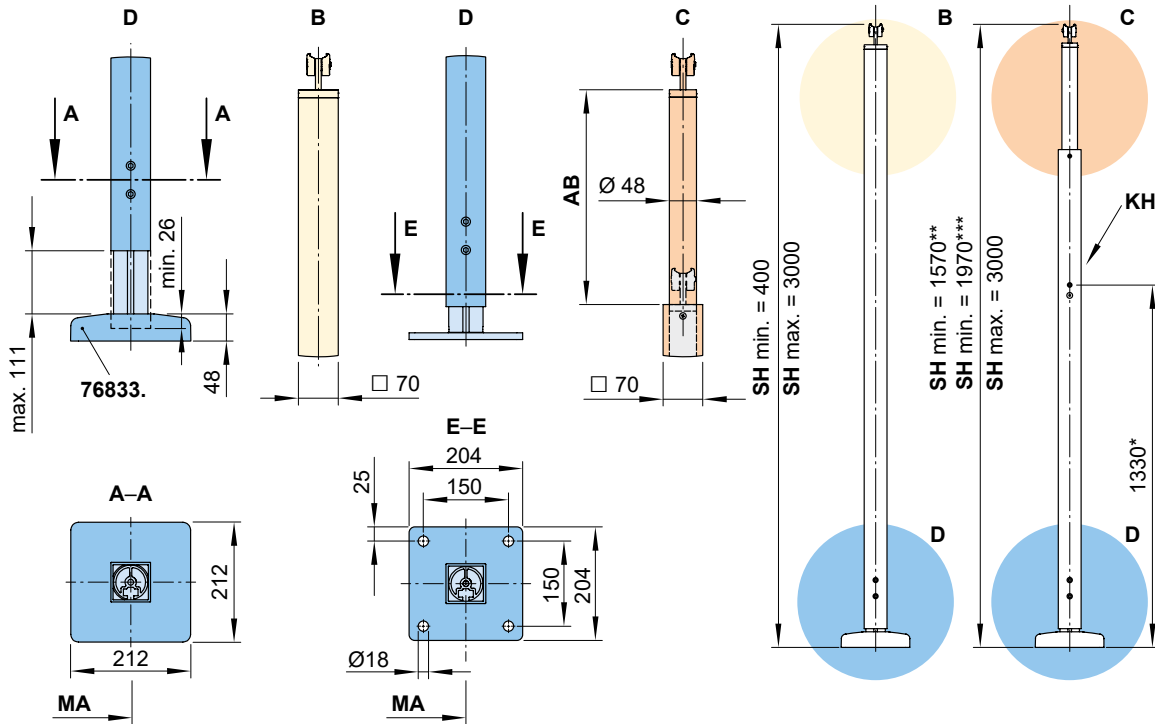
- * = extension when retracted
- * = dimensions for rear cable exit on motor side (standard)
- *** = dimensions in case of lighting
- **** = dimensions for cable duct in case of lighting
- AH = fixture height
- DH = headroom
- H = **order dimension** = extension
- M = overall blind width = MA + 54 mm
- (M) = operation side, motor drive, for an example right

- MA = **order dimension** = awning fixture width
- MB = bracket fixture range
- SH = **order dimension** = support post height, standard height 2500 mm (special heights on request)
- SF = visible cover
- W = pitch setting = 5°-35°
- WS = distance from wall ↔ support post centre
- Y = **order dimension** = distance from post centre to leading edge of front profile

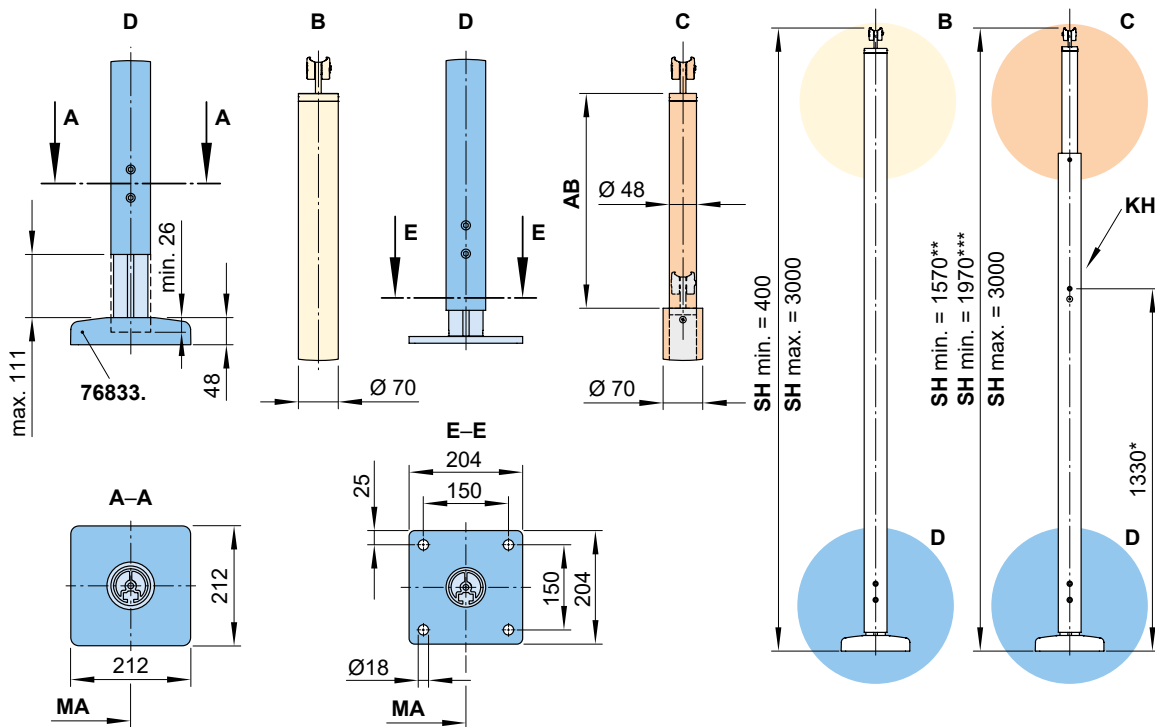
dimensions in mm

Post dimensions

Square support post with footplate (not adjustable / adjustable)



Round support post with footplate (not adjustable / adjustable)



* = dimensions at the standard height

*** = dimensions at manual operation

** = dimensions at motor operation

AB = adjustment range of a post 200, 300 or 400.

For more detailed information please refer to "Dimensions and configuration options"

B = support post without manual adjustment option

C = support post with manual adjustment option

D = height adjustment at the base of both of the front support posts during installation approximately 100 mm

76833. = footplate cover post

KH = winch handle socket

MA = **order dimension** = awning fixture width = fixture width

SH = **order dimension** = support post height, standard height 2500 mm (special heights on request) dimensions in mm

01
02
03
04
05
06
07
08
09
10
11
12
13

01 **Footplate cover**

76833.

02

03

04

05

06

07

08

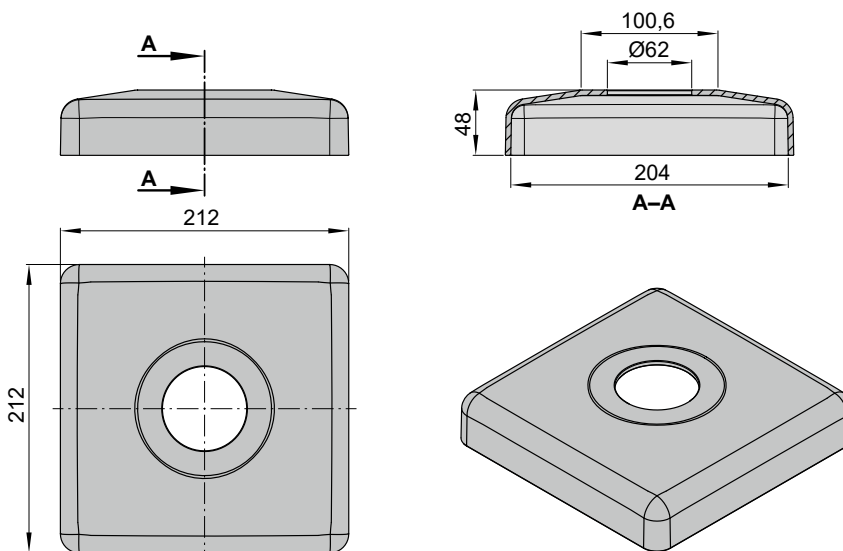
09

10

11

12

13



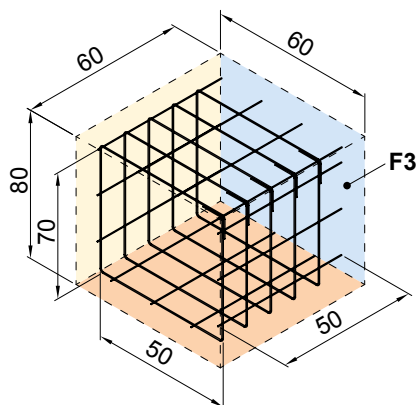
dimensions in mm

Concrete foundations

To be supplied on site:

Concrete foundations in compressive strength C25/30 (previously B25) with reinforcing mesh cage made of 6 pcs steel rebar Ø 6 mm.

F3

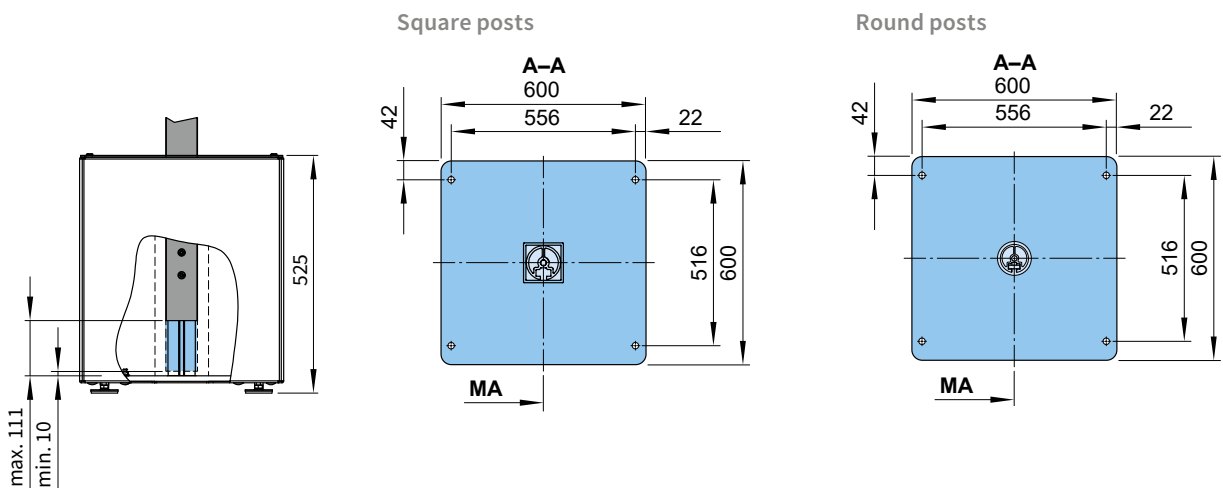
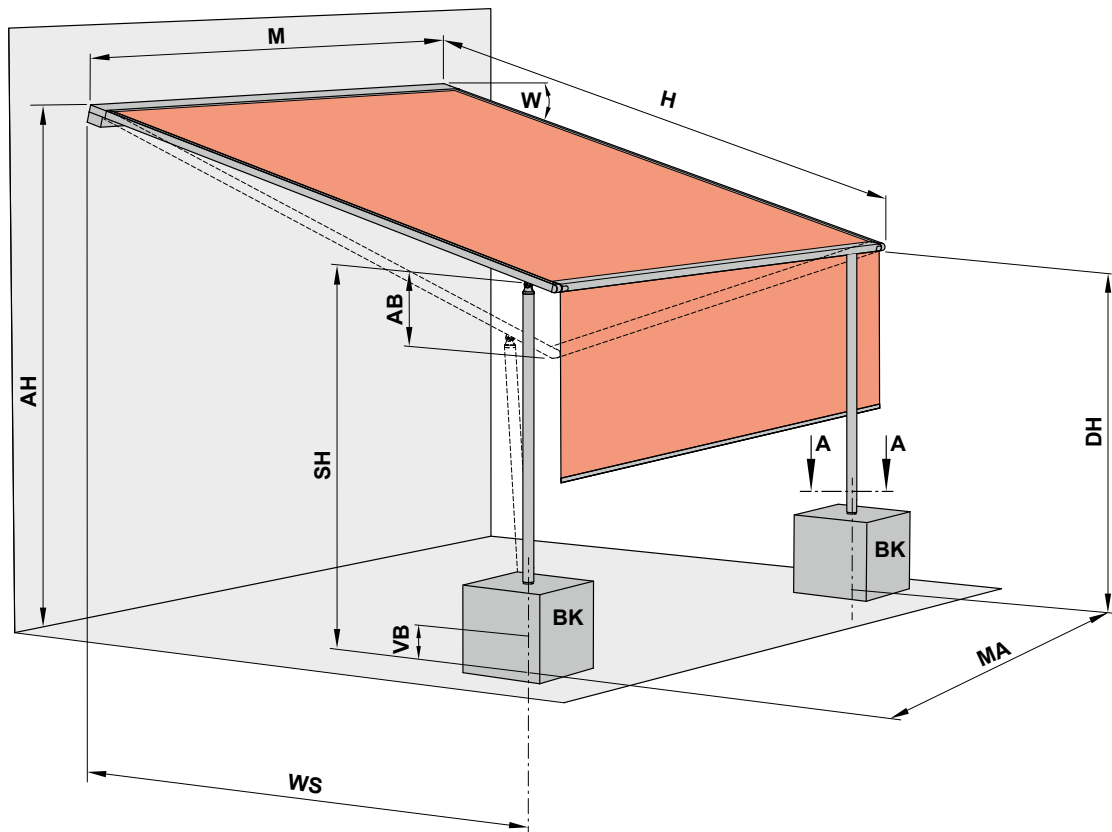


The footplates **F3** are to be fitted to the concrete footings using Fischer marine-grade stainless steel anchor bolts FAZ 10/30 aus A4 and washers certified to DIN 9021 (or equivalent).

dimensions in cm

Overview of dimensions

Posts with stabilisation boxes



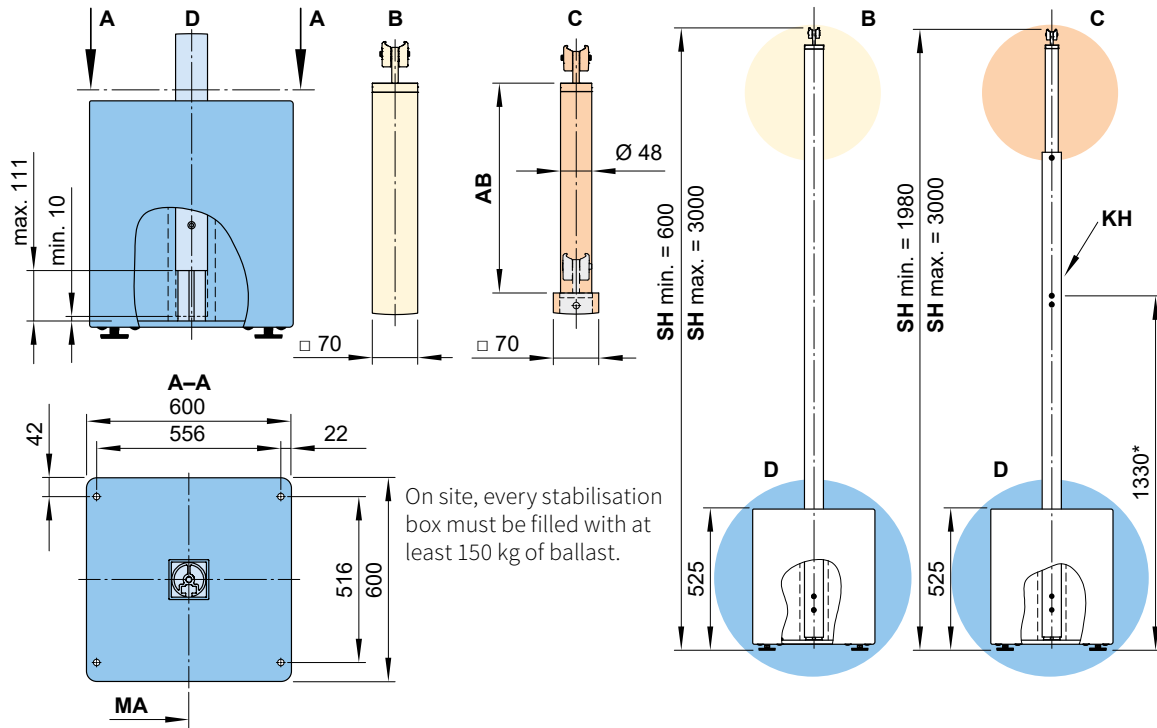
On site, every stabilisation box must be filled with at least 150 kg of ballast.

- | | | | |
|-----------|--|-----------|--|
| AB | = telescopic range of a post 200 mm or 300 mm, optionally on the left / right, see “Dimensions and configuration option” | MA | = order dimension = awning fixture width = fixture width |
| AH | = fixture height | SH | = order dimension = post height (bespoke heights on request, see “Post dimensions”) |
| BK | = stabilisation box | VB | = height adjustment at the base of both the front support posts during installation approx. 100 mm |
| DH | = headroom | W | = pitch setting = 5°–35° |
| H | = order dimension = extension | WS | = distance from wall ↔ support post centre |
| M | = overall blind width = MA + 54 mm | | dimensions in mm |

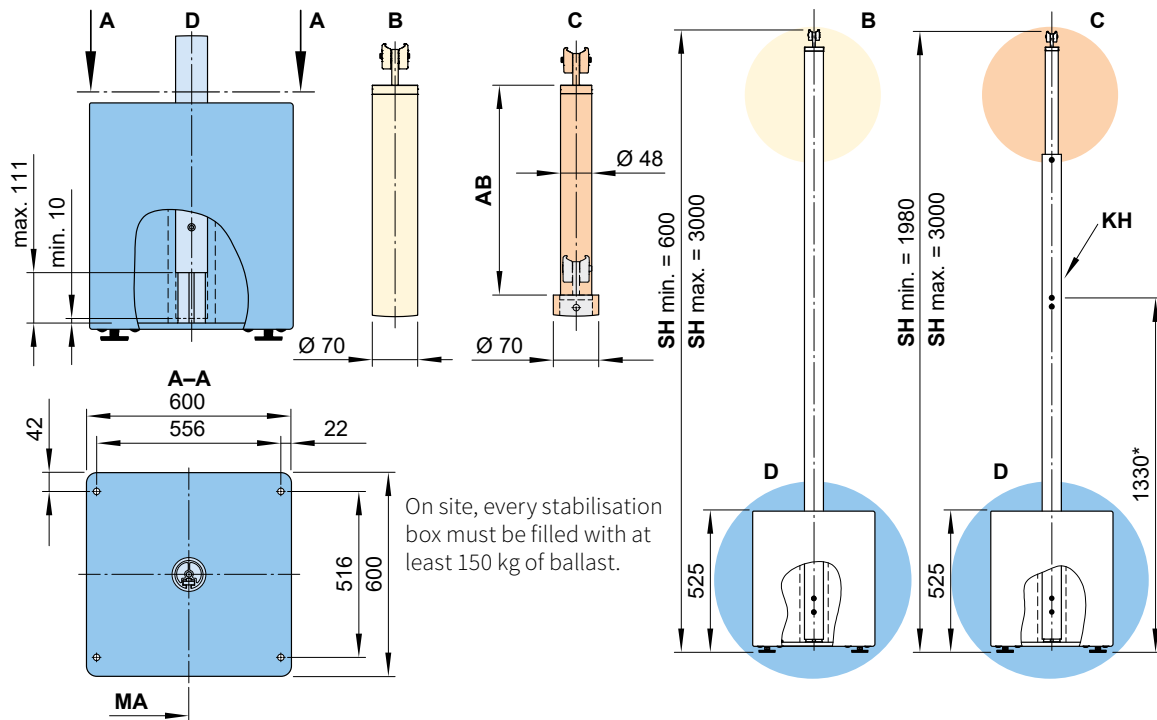
01
02
03
04
05
06
07
08
09
10
11
12
13

Post dimensions

Square support post with stabilisation box (not adjustable / adjustable)



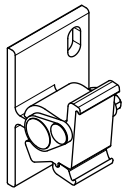
Round support post with stabilisation box (not adjustable / adjustable)



- * = dimensions at the standard height
 - AB** = adjustment range of a post 200, 300 or 400. For more detailed information please refer to "Dimensions and configuration options"
 - B** = support post without manual adjustment option
 - C** = support post with manual adjustment option
 - D** = height adjustment at the base of both of the front support posts during installation approx. 100 mm
 - KH** = winch handle socket
 - MA** = **order dimension** = blind fixture width = fixture width
 - SH** = **order dimension** = support post height, standard height 2500 mm (special heights on request)
- dimensions in mm

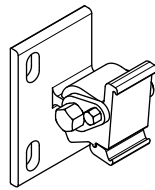
Fixtures, fittings and accessories

01
02
03
04
05
06
07
08
09
10
11
12
13



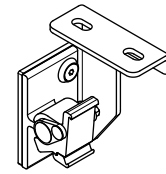
face fixture cassette
bracket, left
pitch adjustment
range 5°–35°

71153.



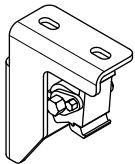
face fixture cassette
bracket, right
pitch adjustment
range 5°–35°

71154.



top fixture bracket
cassette, left
pitch adjustment
range 5°–35°

71157.



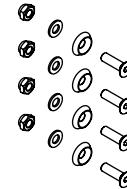
top fixture bracket
cassette, right
pitch adjustment
range 5°–35°

71158.



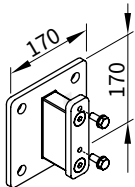
eaves fixture bracket

77010.



accessories for two
eaves fixture brackets
77010.

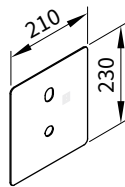
767281



stand-off bracket
for face-fixture bracket
71153. und 71154.
length min. 80 mm up to
max. 300 mm

77956.

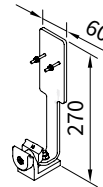
incl. insulating element



cover plate for
installation with stand-
off bracket 77956. in
the case of external
insulation

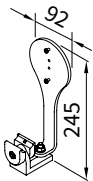
71844.

210 × 230 mm



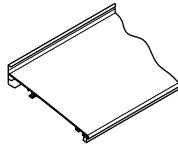
fixture bracket for light
and / or wind and/or
rain sensor

76050.



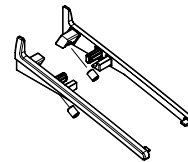
bracket for sun and/or
wind sensor io

76723.



wall sealing profile
incl. brush seal
by the metre

76385. and 704241.



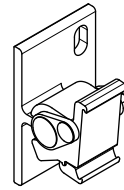
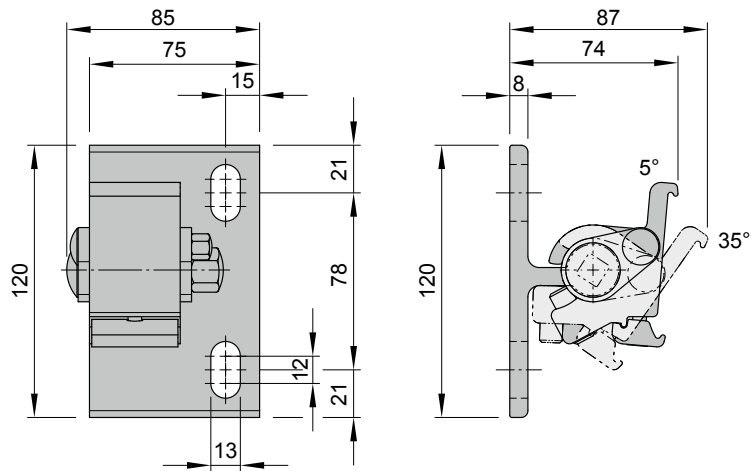
side cover profile
for wall sealing profile
left and right

60919. and 60920.

01
02
03
04
05
06
07
08
09
10
11
12
13

Face fixture

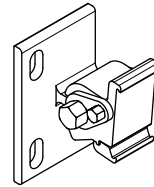
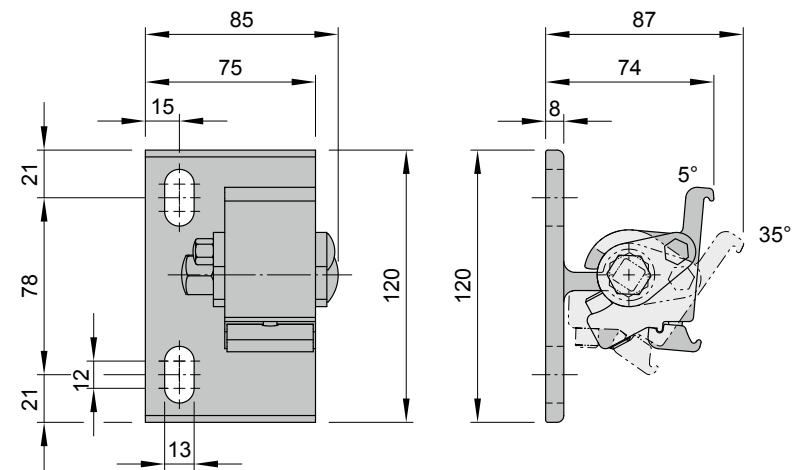
Face fixture cassette bracket, left



face fixture cassette bracket, left
pitch adjustment
range 5°–35°

71153.

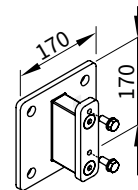
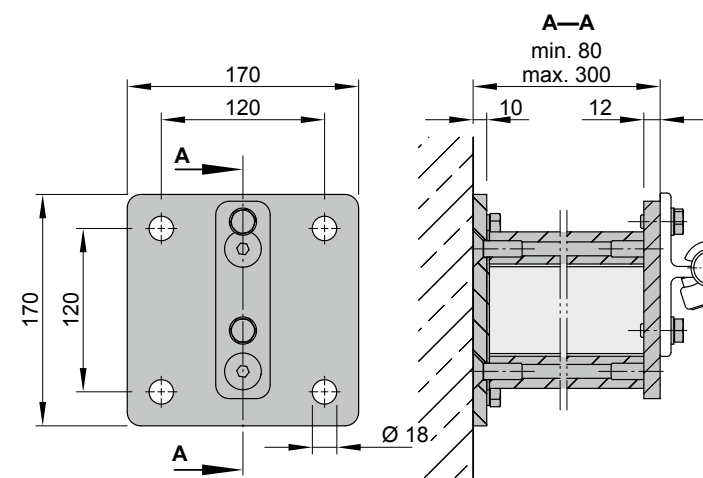
Face fixture cassette bracket, right



face fixture cassette bracket, right
pitch adjustment
range 5°–35°

71154.

Face fixture using stand-off brackets



stand-off bracket
for face-fixture bracket
71153. und 71154.
length min. 80 mm up to
max. 300 mm

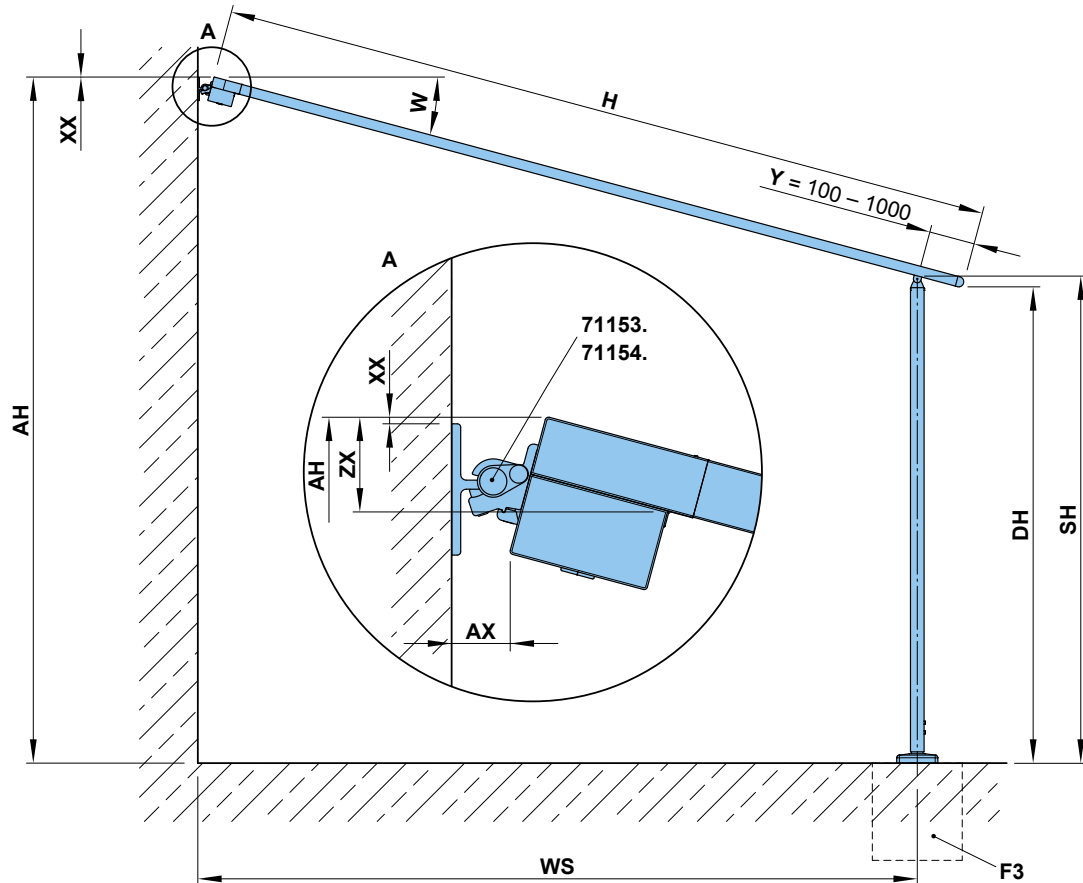
incl. insulating element

77956.

dimensions in mm

Face fixture

Dimension overview support post with footplate



W	AX	XX	ZX
5°	62	9	64
10°	57	6	74
15°	52	-2	84
20°	46	-3	93
25°	41	-8	101
30°	35	-13	109
35°	30	-18	115

71153. = face fixture cassette bracket, left

71154. = face fixture cassette bracket, right

AH = fixture height = $SH + ZX + \sin W \times (H - Y)$

AX = distance from wall \leftrightarrow cassette (see table)

DH = headroom = $SH - \sin W \times Y$

F3 = concrete footing

H = **order dimension** = extension

SH = **order dimension** = post height = $AH - ZX - \sin W \times (H - Y)$

W = pitch (measured from the horizontal)

WS = distance from wall \leftrightarrow support post centre = $\cos W \times (H - Y) + AX$

Y = **order dimension** = distance from post centre to leading edge of front profile. Dimensions: min. 100 bis max. 1000 mm (standard)

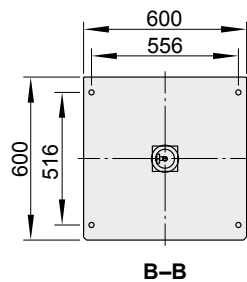
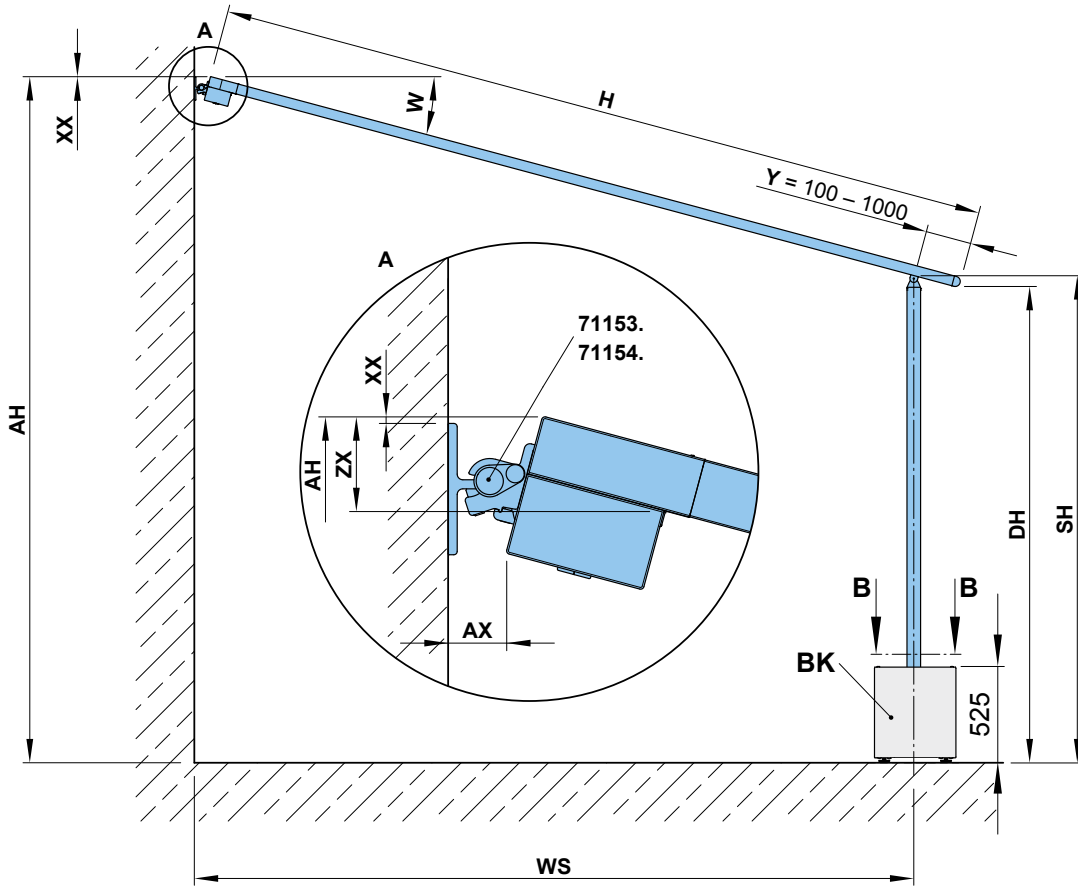
XX = distance from the top edge of the fixture bracket to the top edge of the cassette (see table)

ZX = distance upper edge cassette – bottom edge of guide track (see table)

dimensions in mm

Face fixture

Dimension overview support post with stabilisation box



On site, every stabilisation box must be filled with at least 150 kg of ballast.

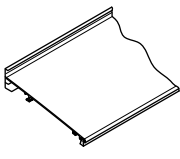
W	AX	XX	ZX
5°	62	9	64
10°	57	6	74
15°	52	-2	84
20°	46	-3	93
25°	41	-8	101
30°	35	-13	109
35°	30	-18	115

- 71153.** = face fixture bracket cassette, pitch adjustment 5°-35°, left
- 71154.** = face fixture bracket cassette, pitch adjustment 5°-35°, right
- AH** = headroom = $SH + ZX + \sin W \times (H - Y)$
- AX** = distance from wall \leftrightarrow cassette (see table)
- BK** = stabilisation box
- DH** = headroom = $SH - \sin W \times Y$
- H** = **order dimension** = extension
- SH** = **order dimension** = post height = $AH - ZX - \sin W \times (H - Y)$
- W** = pitch (measured from the horizontal)
- WS** = distance from wall \leftrightarrow support post centre = $\cos W \times (H - Y) + AX$
- Y** = **order dimension** = distance from post centre to leading edge of front profile. Dimensions: min. 100 bis max. 1000 mm (standard)
- XX** = distance from the top edge of the fixture bracket to the top edge of the cassette (see table)
- ZX** = distance upper edge cassette - bottom edge of guide track (see table)

dimensions in mm

Dimension overview with wall sealing profile

Face fixture, various pitch positions



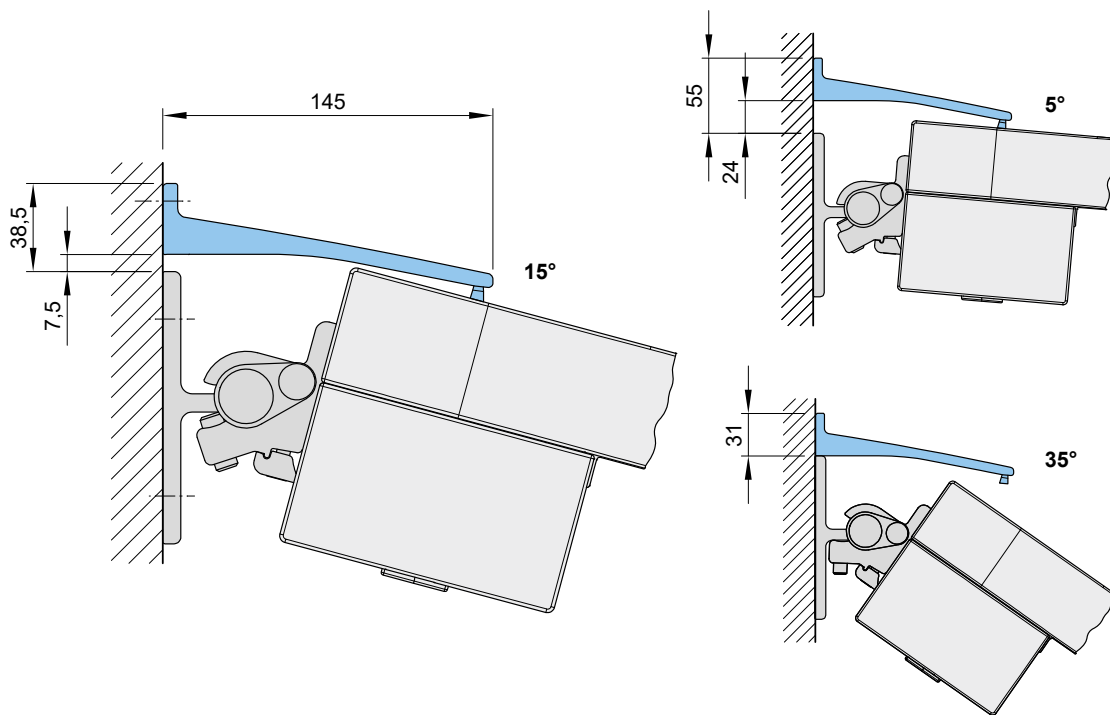
wall sealing profile
incl. brush seal
by the metre

76385. and 704241.



side cover profile
for wall sealing profile
left and right

60919. and 60920.



76385. = wall sealing profile (standard width = awning fixture width (MA) + 46 mm)

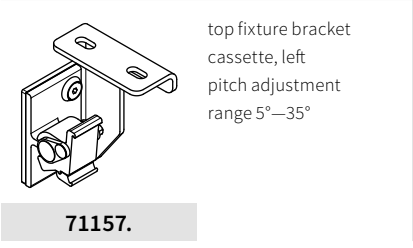
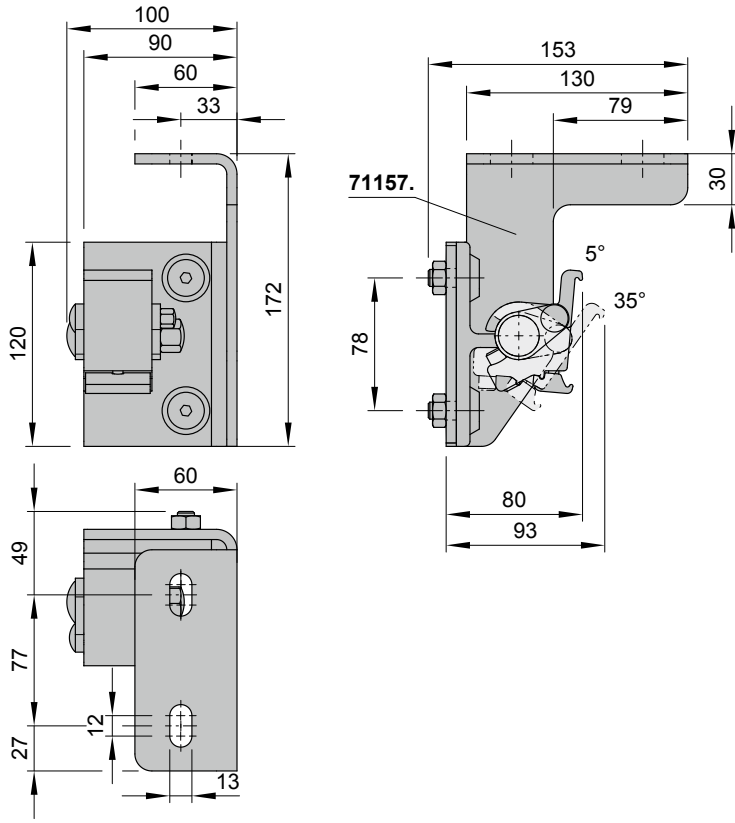
dimensions in mm

- 01
- 02
- 03**
- 04
- 05
- 06
- 07
- 08
- 09
- 10
- 11
- 12
- 13

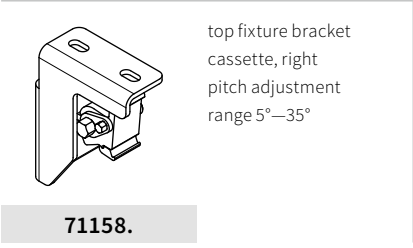
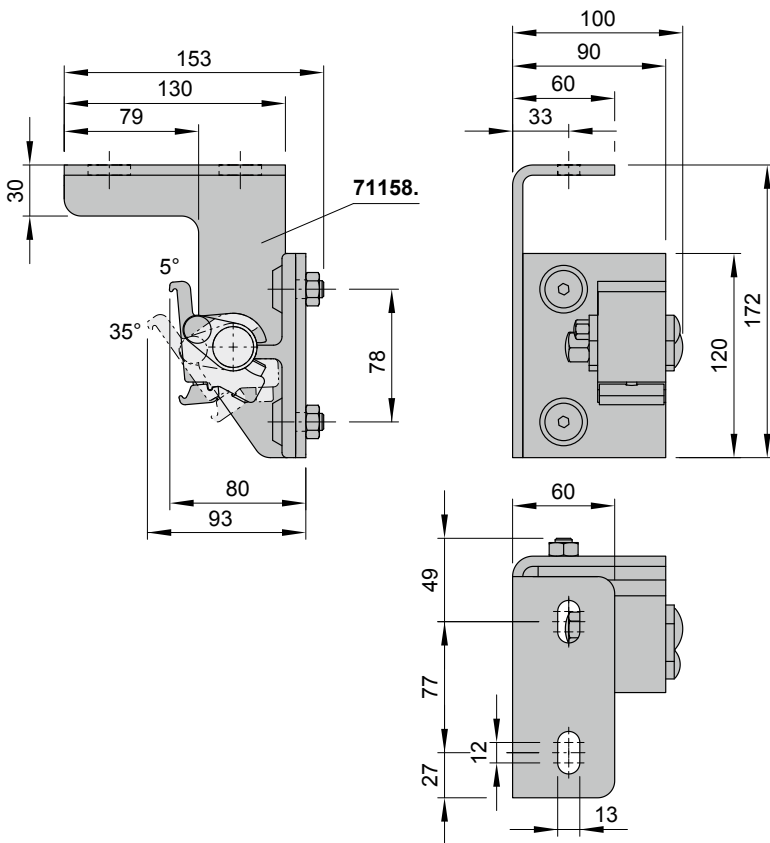
01
02
03
04
05
06
07
08
09
10
11
12
13

Top fixture

Top fixture bracket cassette, left



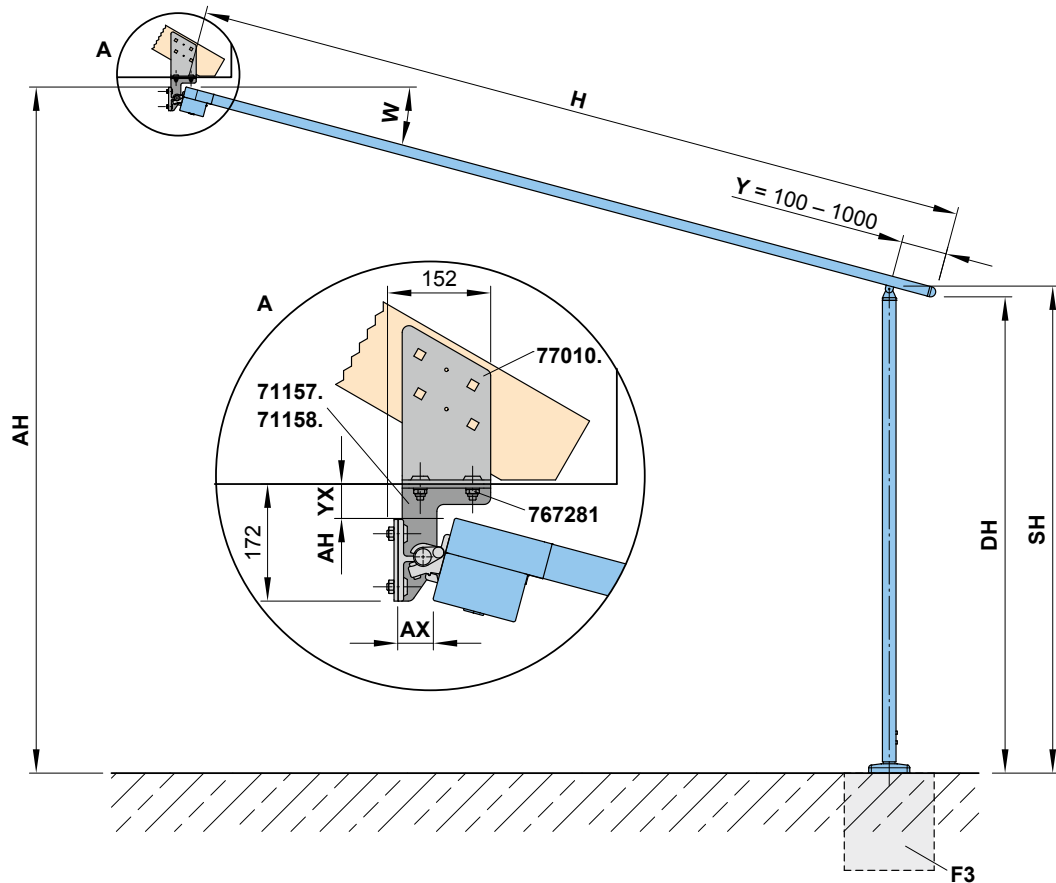
Top fixture bracket cassette, right



dimensions in mm

Top and eaves fixture

Dimension overview support post with footplate



W	AX	YX
5°	62	40
10°	57	43
15°	52	51
20°	46	52
25°	41	57
30°	35	62
35°	30	67

- 767281** = accessories for two eaves fixture brackets (**77010.**)
- 77010.** = eaves fixture bracket
- 71157.** = top fixture bracket cassette, pitch adjustment 5°–35°, left
- 71158.** = top fixture bracket cassette, pitch adjustment 5°–35°, right
- AH** = headroom = $SH + ZX + \sin W \times (H - Y)$
- AX** = distance from wall ↔ cassette (see table)
- DH** = headroom = $SH - \sin W \times Y$
- F3** = concrete footing
- H** = **order dimension** = extension
- SH** = **order dimension** = support post height, standard height 2500 mm;
(special heights on request) = $AH - ZX - \sin W \times (H - Y)$
- W** = pitch (measured from the horizontal)
- Y** = **order dimension** = distance from post centre to leading edge of front profile. Dimensions: min. 100 bis max. 1000 mm (standard)
- AX** = distance from wall ↔ cassette (see table)

dimensions in mm

01
02
03
04
05
06
07
08
09
10
11
12
13

01
02
03
04
05
06
07
08
09
10
11
12
13

Eaves fixture

Eaves fixture bracket (left, by way of example)

eaves fixture bracket

77010.

top fixture bracket cassette, left
pitch adjustment range 5°–35°

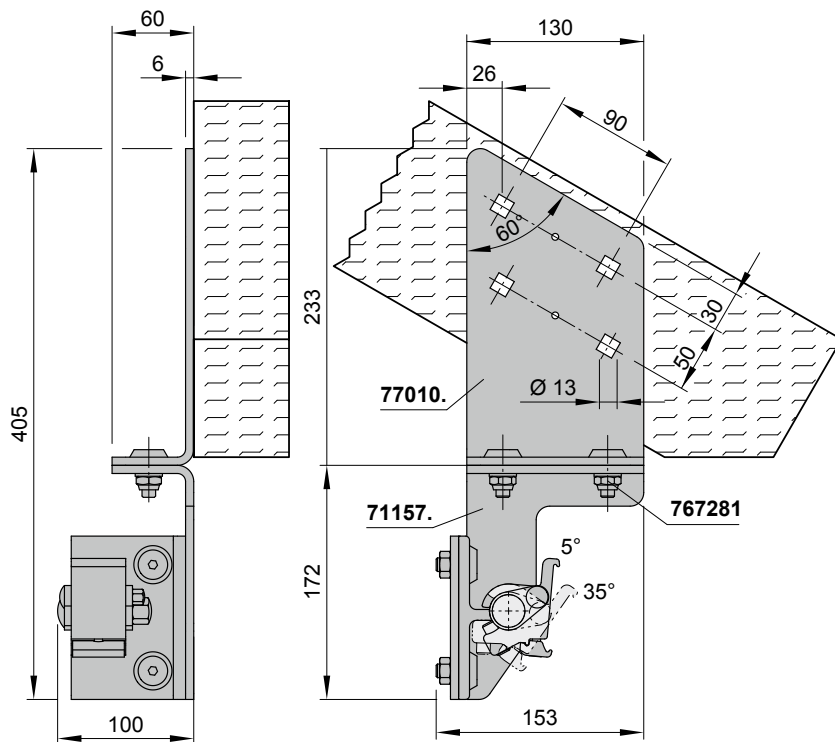
71157.

top fixture bracket cassette, right
pitch adjustment range 5°–35°

71158.

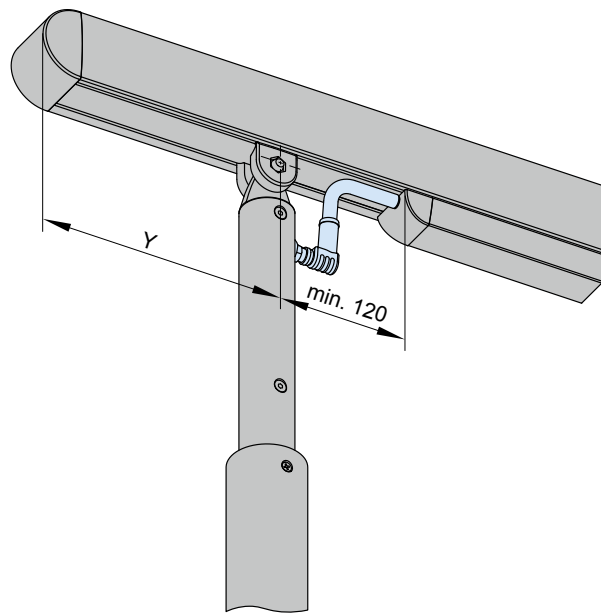
accessories for two eaves fixture brackets 77010.

767281



dimensions in mm

Telescopic, motor-driven post



- minimum post height: 1970 mm
- motor cable, black
- the LED-Line profiles are always fitted to all guide tracks of the markilux pergola to give a harmonious look
- the awning may only be retracted or extended if the front profile is horizontal, in other words, the post must not be in the lowered position
- the shadeplus (optional) may only be operated when the post is not in the lowered position. It may only be operated when the front profile is horizontal

Controls

	standard	optional
hard-wired motor	✓	—
radio receiver Somfy Slim Plug io (8271254)	—	✓
radio receiver Universal Slim Receiver RTS Plug (8272148)	—	✓

Technical details Hard-wired motor

power supply	230 V AC
power output	110 W
protection class	IP 44

Note: In the case of a motorised post, the difference in measurement from the end of the profile cable duct / LED-Line to end of extension = $Y + 120$ mm = depending on the Y value between 22 cm and 112 cm (in the case of the LED-Line and standard post, the difference in measurement is = $Y + 50$ mm = depending on the Y value between 15 cm and 105 cm, please also take a look at Dimension overview lighting options).

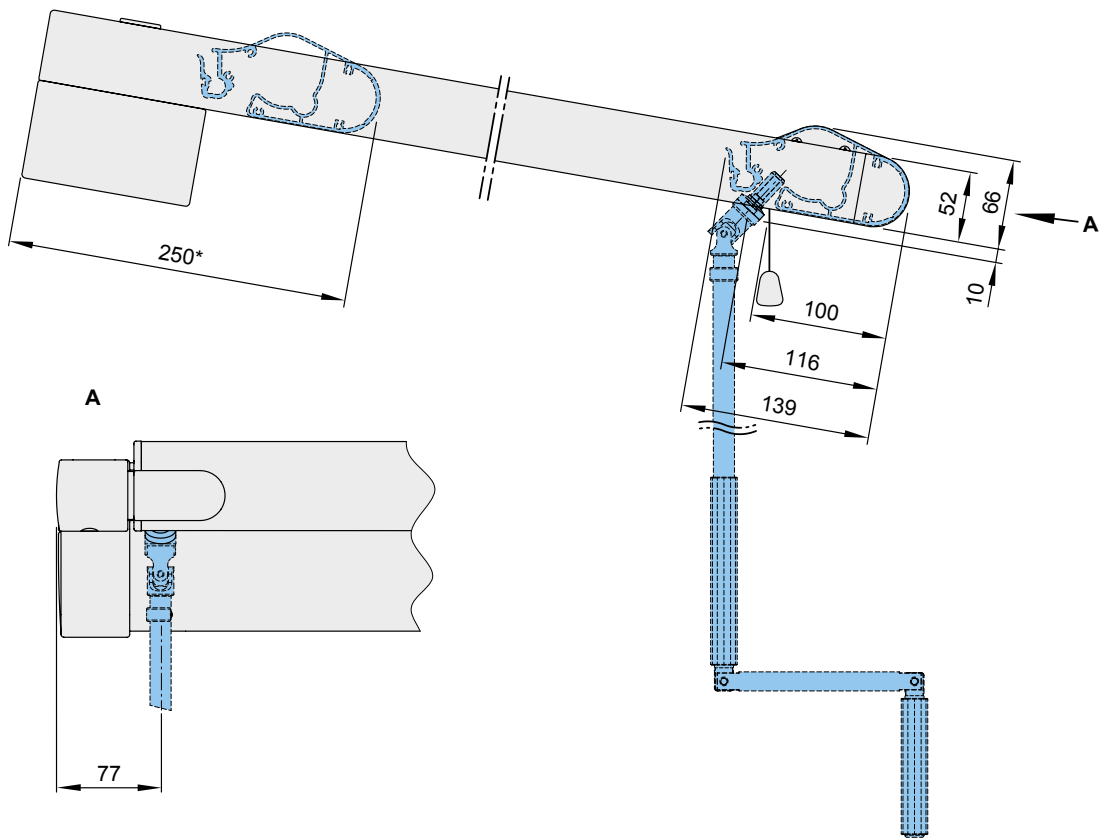
Y = **order dimension** = distance from post centre to leading edge of front profile.
Dimensions: min. 100 bis max. 1000 mm (standard)

dimensions in mm

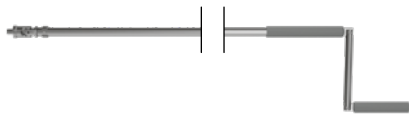
01
02
03
04
05
06
07
08
09
10
11
12
13

Dimension overview, shadeplus

Magnetic gearbox operation ¹⁾



markilux foldable crank handle

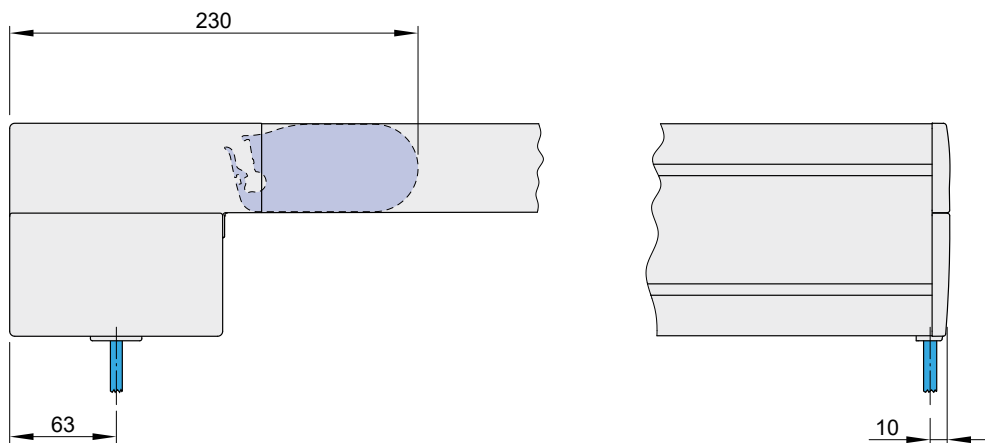


with magnetic gearbox attachment for manual operation of the drop valance
 Lengths: standard 120 cm, optional 160 cm, from 160 cm up to 280 cm on request
 Order no. **74271**.

* = extension when retracted

Please note! The shadeplus (optional) may only be operated when the post is not in the lowered position. It may only be operated when the front profile is horizontal.

Motor cable exit point ¹⁾

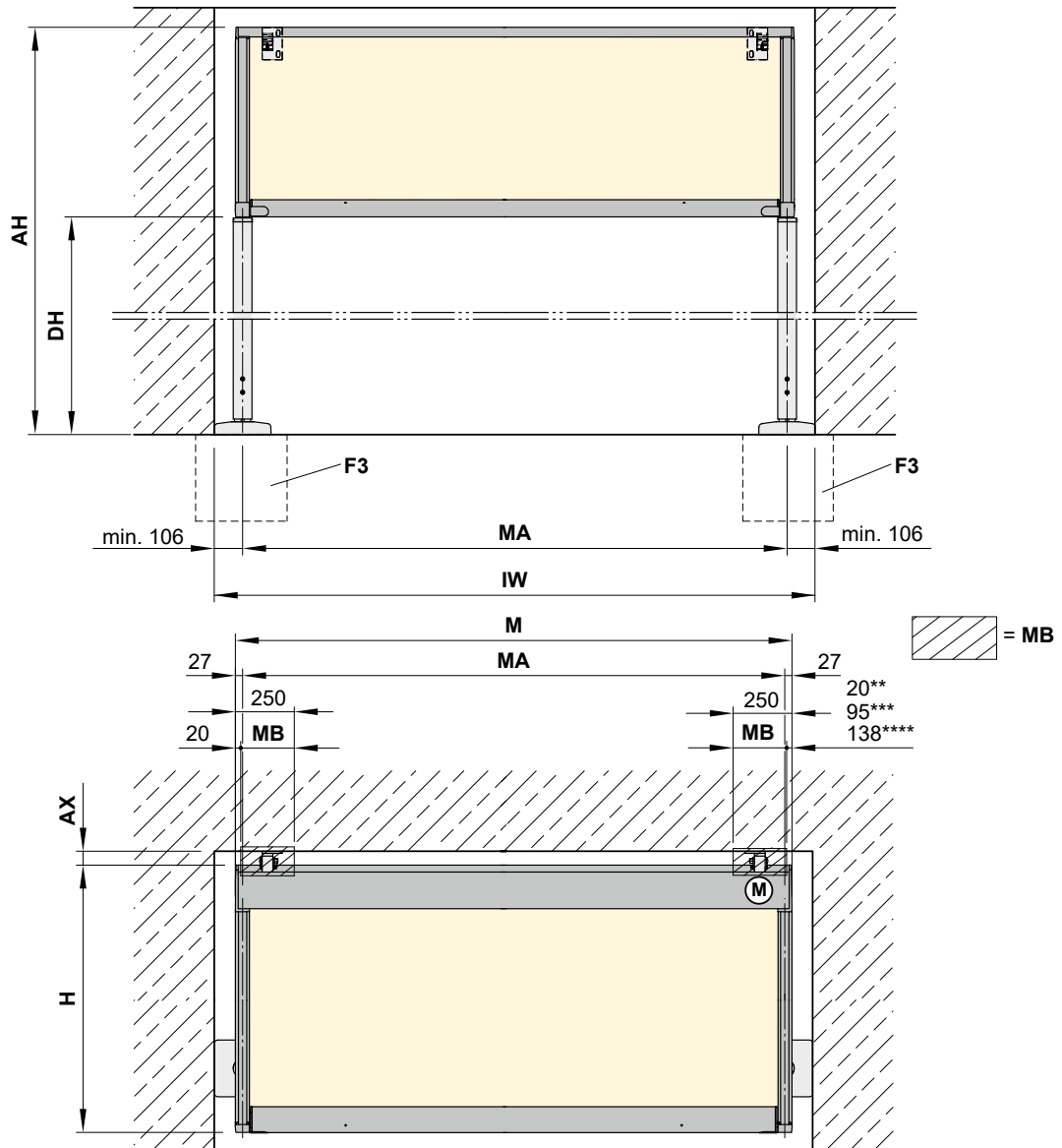


¹⁾ depending on the operation side, left or right

dimensions in mm

Overview of dimensions

Reveal fixture



N.B.! In the case of reveal fixture a distance of at least 106 mm must be left free on each side of the awning.

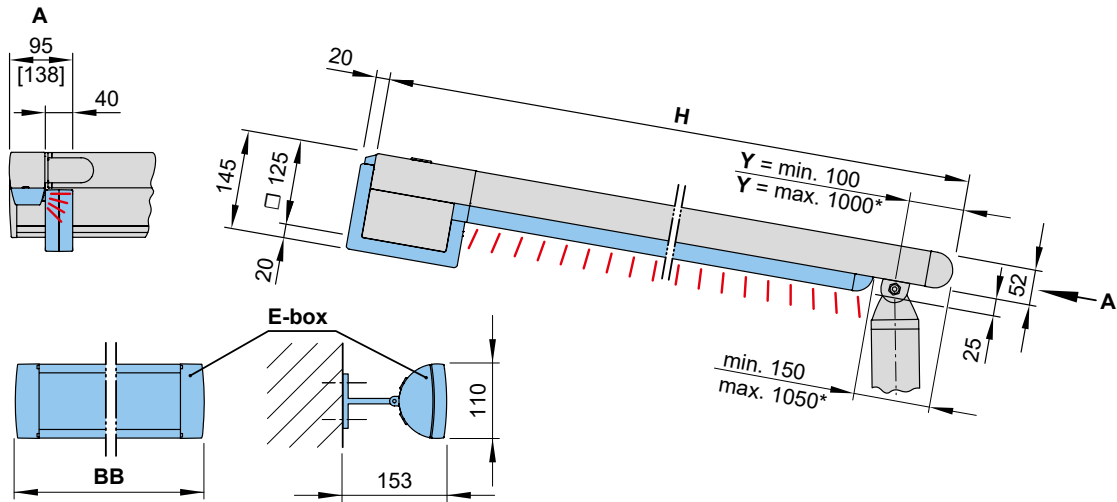
- ** = dimensions for bottom cable exit on motor side (optional)
- *** = dimensions in case of lighting
- **** = dimensions for cable duct in case of lighting
- AH = fixture height
- AX = distance from wall ↔ cassette
- DH = headroom
- F3 = concrete footing
- H = **order dimension** = extension
- M = overall blind width = MA + 54 mm
- (M) = operation side, motor drive, for an example right
- MA = **order dimension** = awning fixture width = fixture width
- MB = bracket fixture range
- IW = inside wall

dimensions in mm

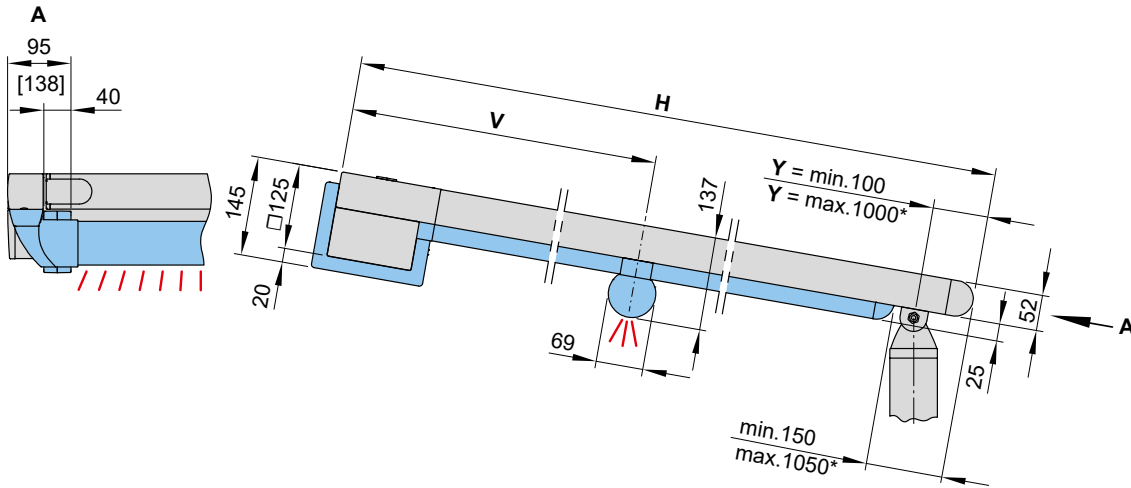
01
02
03
04
05
06
07
08
09
10
11
12
13

Dimension overview with the various lighting options

Option 1: LED-Line in the guide tracks, electronic components in an E-box



Option 2: LED-Line in the cover support tube, electronic components in the cover support tube

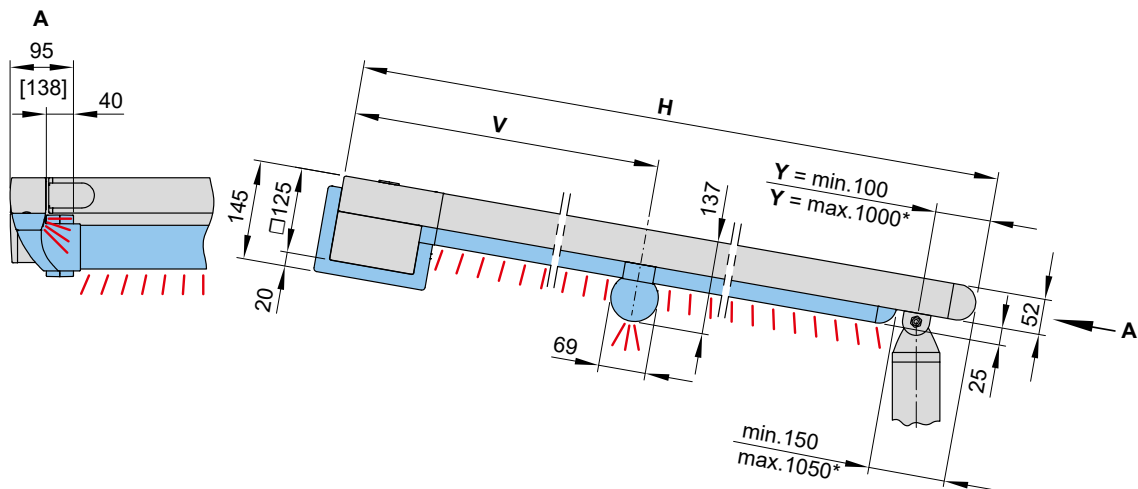


- * = standard dimension
- [...] = dimension in the case of lighting and shadeplus / drop valance
- BB = order width
- E-box = see "E-box"
- H = **order dimension** = extension
- T = indent dimension LED-Line
- V = distance from the rear of the cassette to the centre of the cover support tube.
Standard: centred ($V = H \div 2$) / optional: ($V \text{ min.} = 500 \text{ mm}$, $V \text{ max.} = H - 500 \text{ mm}$).
- Y = **order dimension** = distance from post centre to leading edge of front profile.
Dimensions: min. 100 bis max. 1000 mm (standard)

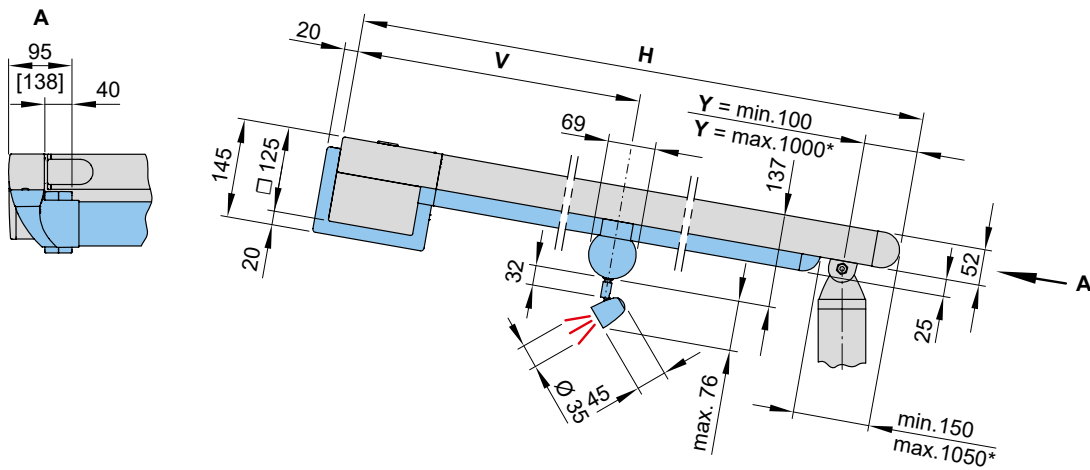
dimensions in mm

Dimension overview with the various lighting options

Option 3: LED-Line in the cover support tube and in the guide tracks, electronic components in the cover support tube



Option 4: LED-Spots in the cover support tube, electronic components in the cover support tube



* = standard dimension

[...] = dimension in the case of lighting and shadeplus / drop valance

H = order dimension = extension

T = indent dimension LED-Line

V = distance from the rear of the cassette to the centre of the cover support tube.

Standard: centred ($V = H \div 2$) / optional: ($V \text{ min.} = 500 \text{ mm. } V \text{ max.} = H - 500 \text{ mm}$)

Y = order dimension = distance from post centre to leading edge of front profile.

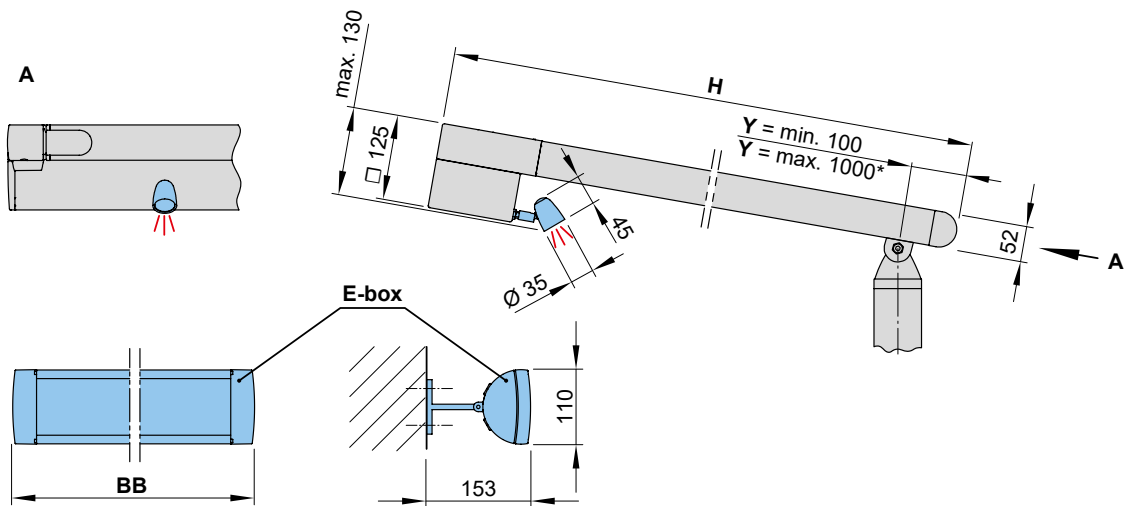
Dimensions: min. 100 bis max. 1000 mm (standard)

Z = distance center of 1. to 2. support tube

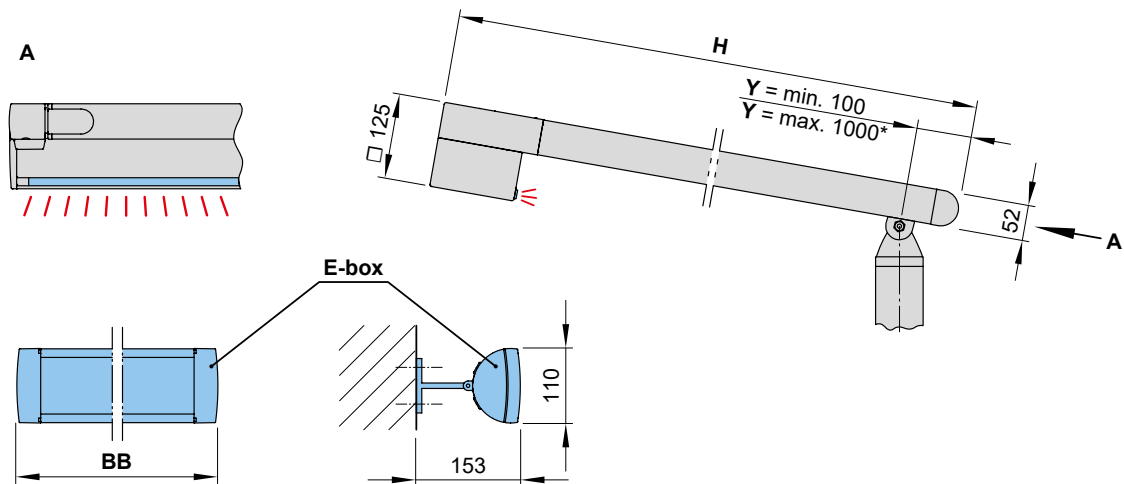
dimensions in mm

Dimension overview with the various lighting options

Option 6: LED-Spots in the cassette (can be combined at will with options 1-5), electronic components in an E box or in the cover support tube



Option 7: LED-Line in the cassette (can be combined at will with options 1-5), electronic components in an E box or in the cover support tube



- * = standard dimension
- BB = order width
- E-box = see "E-box"
- H = **order dimension** = extension
- Y = **order dimension** = distance from post centre to leading edge of front profile.
Dimensions: min. 100 bis max. 1000 mm (standard)

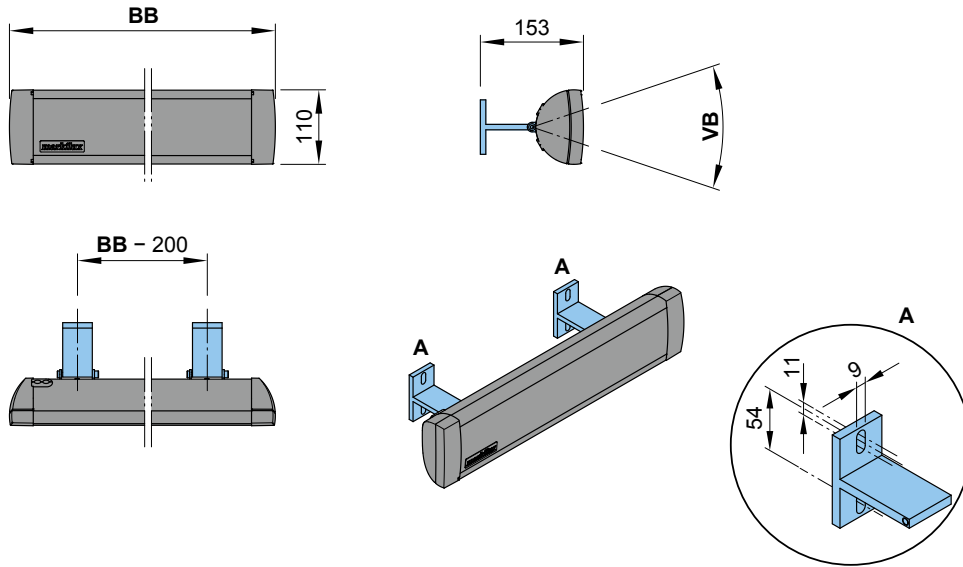
dimensions in mm

01
02
03
04
05
06
07
08
09
10
11
12
13

01
02
03
04
05
06
07
08
09
10
11
12
13

E-box

Overview of dimensions



Dimension overview and applications

Wireless technology

Extension H [cm]

RTS 433 MHz		868 MHz io	
< 330 cm	≥ 330 cm	< 330 cm	≥ 330 cm

Lighting options

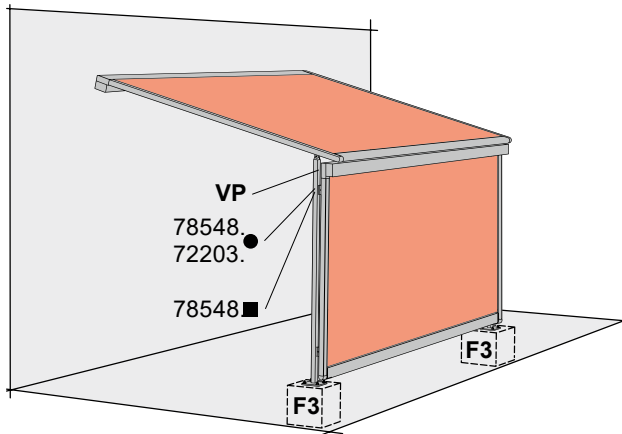
LED-Line attached to the guide tracks	E-box M 71850. BB = 500 mm	E-box G 71873. BB = 700 mm	E-box M 71850. BB = 500 mm
LED-Spots attached to the cassette or LED-Line recessed into the cassette	E-box M 71850. BB = 500 mm		
LED-Line below the guide tracks and LED spots attached to or LED-Line recessed into the cassette	E-box G 71873. BB = 700 mm	E-box L 71874. BB = 1200 mm	
individual use	E-box I 71851. BB = to order		

BB = order width
VB = adjustment range

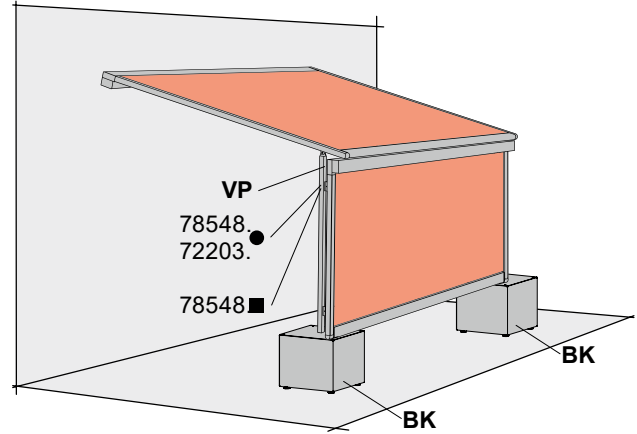
dimensions in mm

Combination options

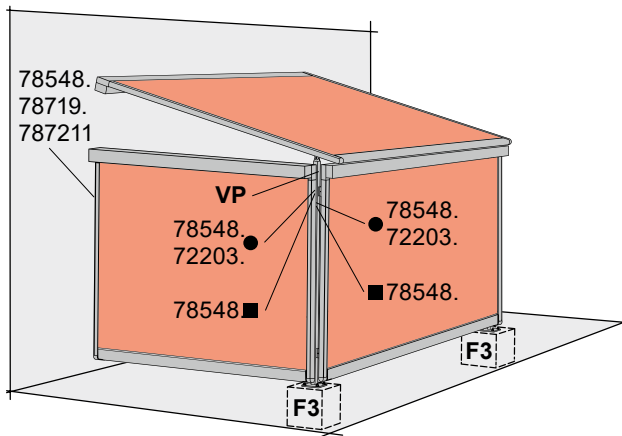
Example with markilux 776 tracfix / 876 tracfix (optionally with panorama window)



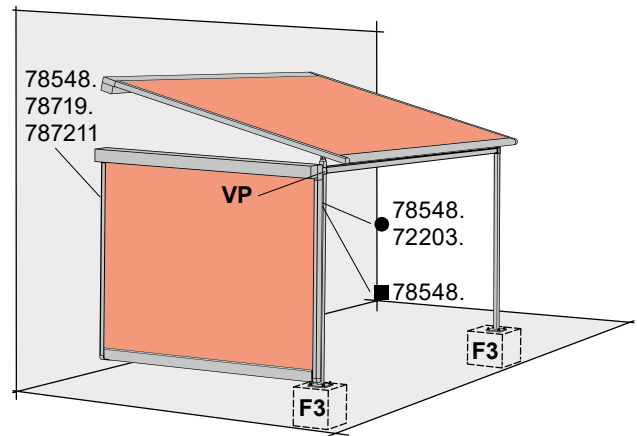
Vertical cassette blind at the front



Vertical cassette blind at the front, support posts with stabilisation boxes



Installation of a vertical cassette blind both to the side



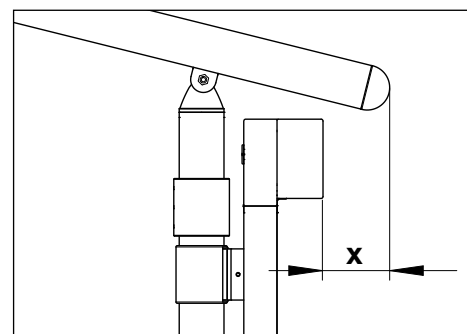
Installation of a vertical cassette blind at the side and obligatory cross member between support posts

N.B! A vertical roller blind may only be installed at the side or the front if a stabilizing profile (VP) has been fitted. A front vertical cassette blind must always be mounted under the guide tracks (see fig. 1)

The combination of markilux pergola compact with vertical cassette blinds is only permitted if two fixed posts are used.

Combination Possibilities

- markilux 790 at the side (cover optionally with angled top edge)
- markilux 790 at the front between support posts
- markilux pergola compact fitted to the markilux syncra
- additional combinations may be possible on request.



Picture 1)

72203. = post fixture guide track (round post)

78548. = flat track bracket

78719. = additional angled bracket for the bearing, gearbox and motor sides

787211 = accessories for two angled brackets

BK = stabilisation boxes (600 × 600 × 525 mm)

F3 = concrete footing

VP = cross member

● = round post

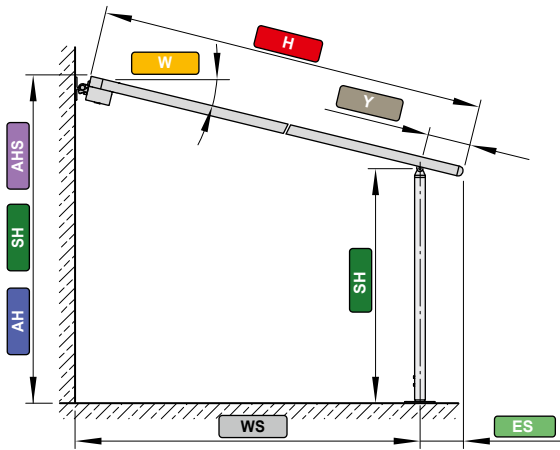
■ = square post

01
02
03
04
05
06
07
08
09
10
11
12
13

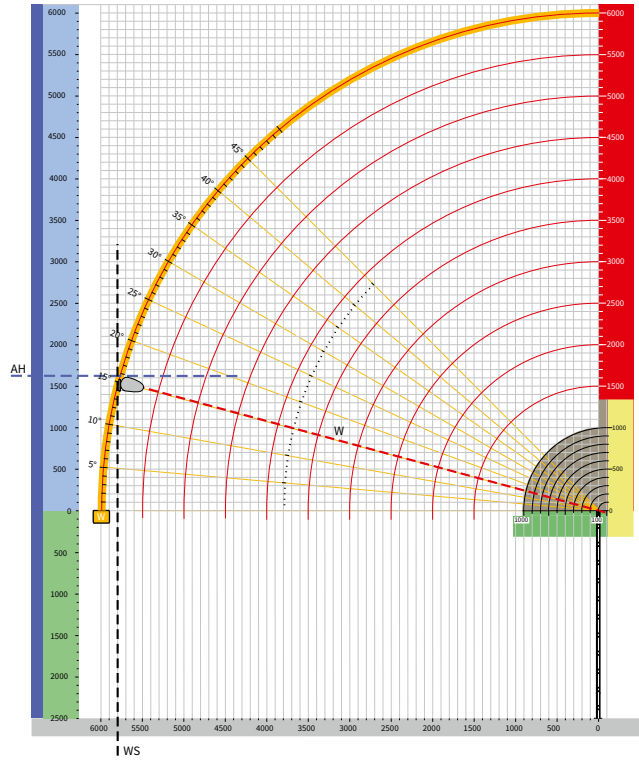
Calculation of the approximate fixture height, examples

Example 1: front support posts pushed as far forward as possible, $Y = 100 \text{ mm}$

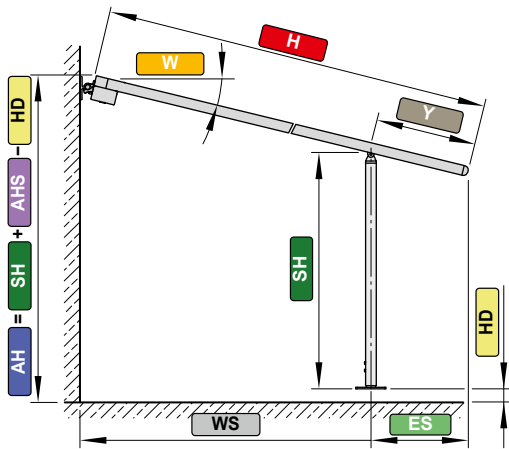
01
02
03
04
05
06
07
08
09
10
11
12
13



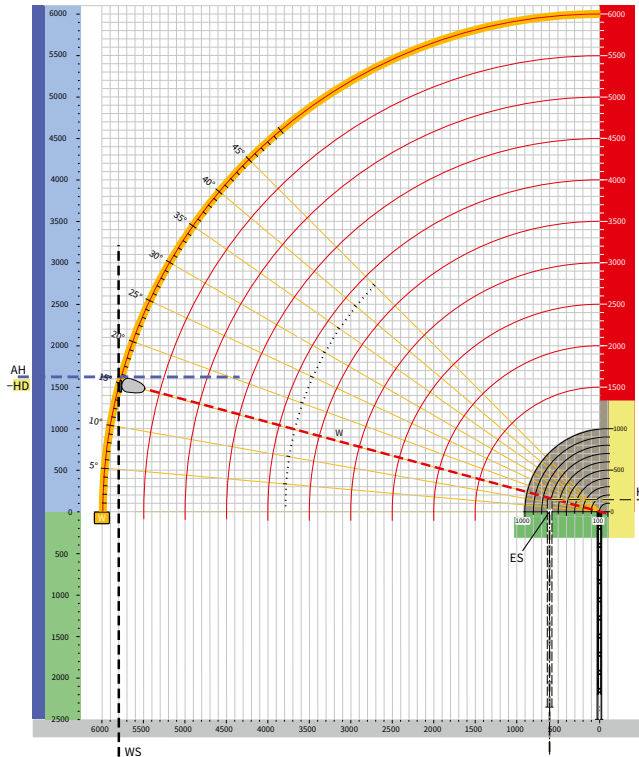
- ES = 100
- W = 15°
- H = 6000
- WS = 5800
- Y = 100
- SH = 2500
- AHS = 1620
- AH = SH + AHS = 2500 + 1620 = 4120



Example 2: front support posts pushed back, $100 \text{ mm} \leq Y \leq 1000 \text{ mm}$



- ES = 700
- W = 15°
- H = 6000
- WS = 5200
- Y = 700
- HD = 130
- SH = 2500
- AHS = 1620
- AH = SH + AHS - HD = 2500 + 1620 - 130 = 3990



- ES = centre of post to the leading edge of the front profile
- W = pitch
- H = extension

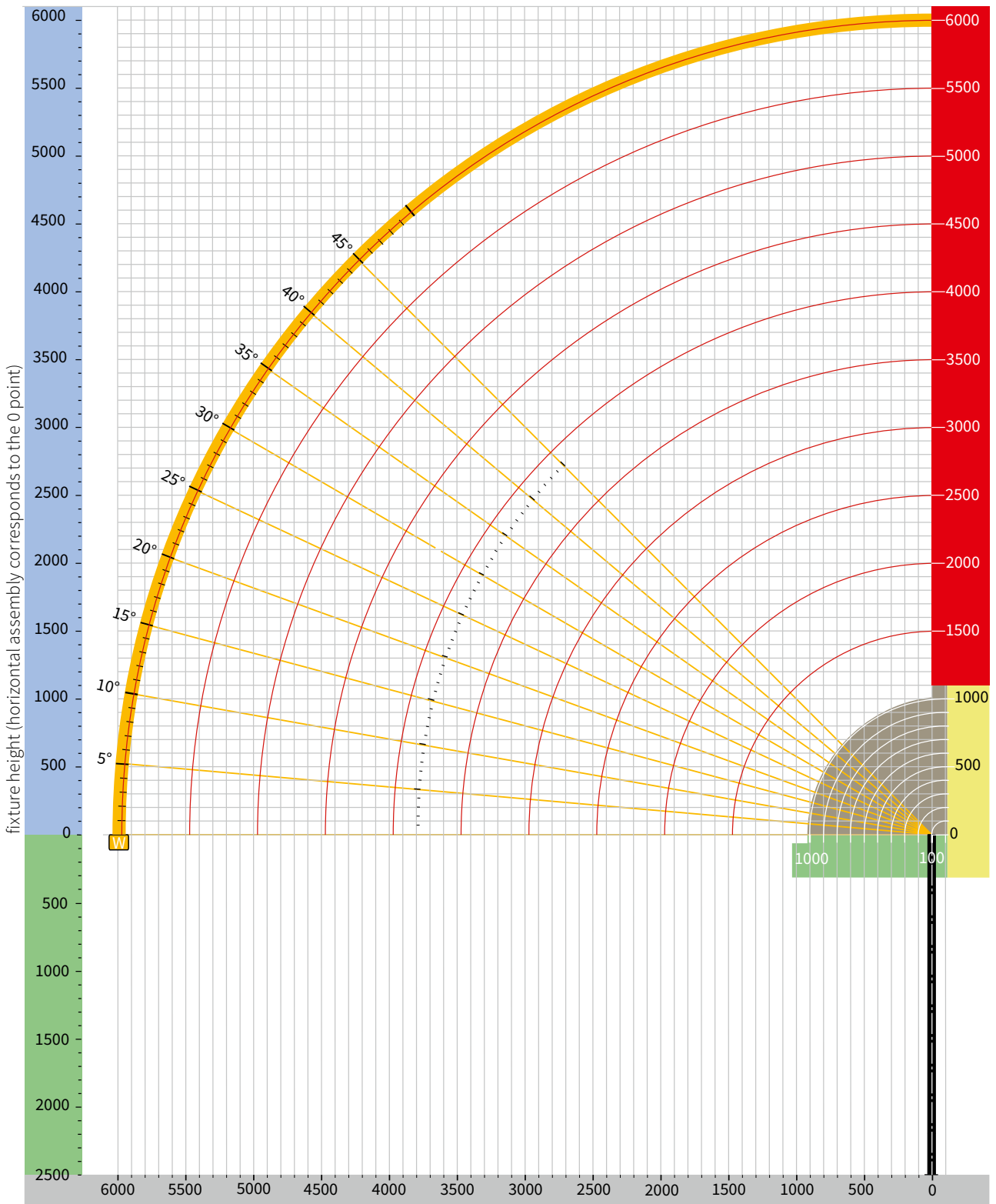
- WS = measurement from the wall to post
- Y = distance from post centre to leading edge of front profile
- HD = difference from the fixture height

- SH = support post height 2500 mm
- AHS = fixture height from the top edge of the post
- AH = installation height

dimensions in mm

Calculation of the approximate fixture height

Drawing template



- 01
- 02
- 03**
- 04
- 05
- 06
- 07
- 08
- 09
- 10
- 11
- 12
- 13

N.B! An on-line tool to calculate the installation measurements can be found in the protected area of the website, pro.markilux.com.

dimensions in mm

01

02

03

04

05

06

07

08

09

10

11

12

13