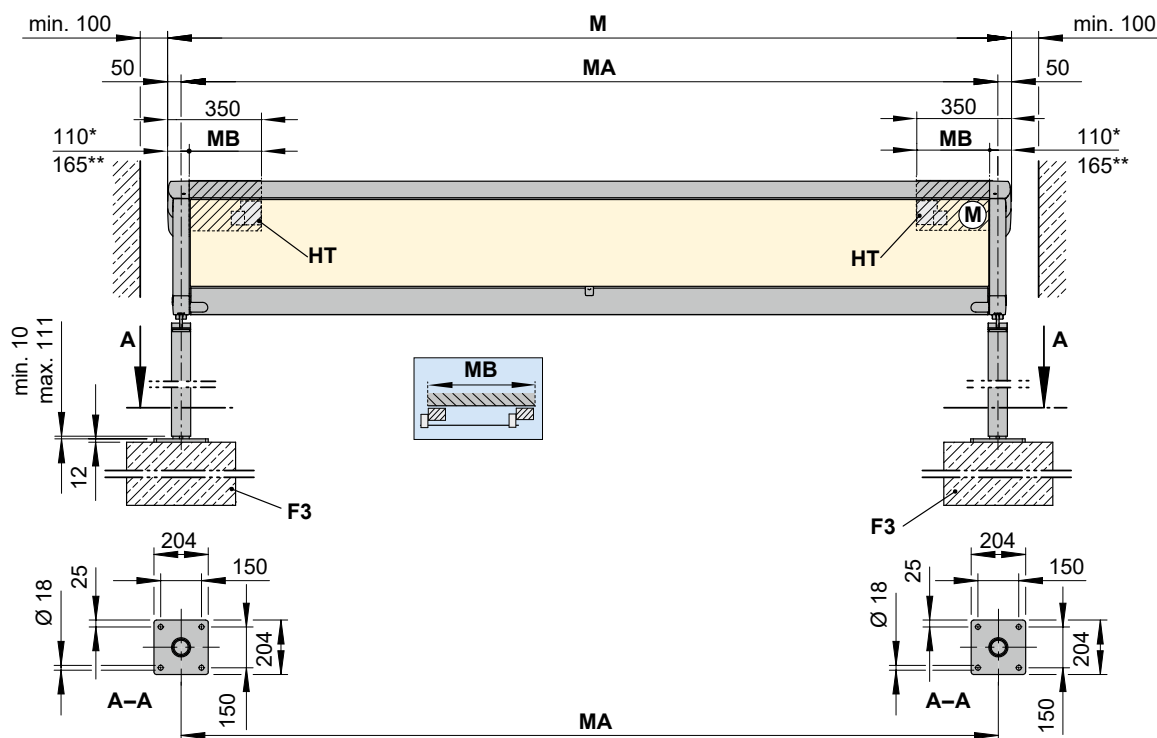


Overview of dimensions

Reveal fixture



N.B.! In the case of reveal fixture a distance of at least 100 mm must be left free on each side of the awning.

- * = dimensions fixture range
- ** = dimensions fixture range for cable duct in case of lighting
- F3 = concrete foundation. Please refer to the section "Concrete foundations"
- HT = bracket
- Ⓜ = overall awning width = MA + 10 cm
- M = operation side, motor drive
- MA = **order dimension**= awning fixture width = fixture width
- MB = bracket fixture range

dimensions in mm

01
02
 03
 04
 05
 06
 07
 08
 09
 10
 11
 12
 13

01

Overview of dimensions

02

Reveal fixture of a coupled unit

03

04

05

06

07

08

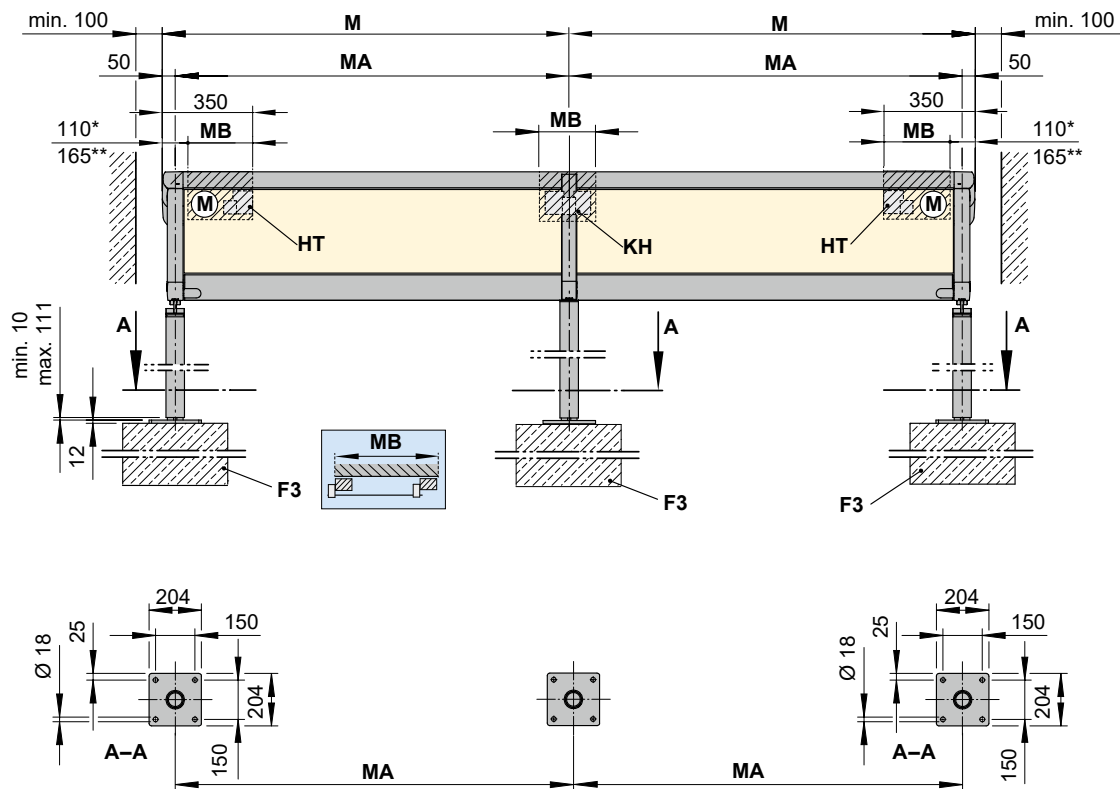
09

10

11

12

13

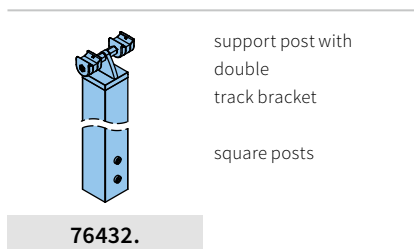
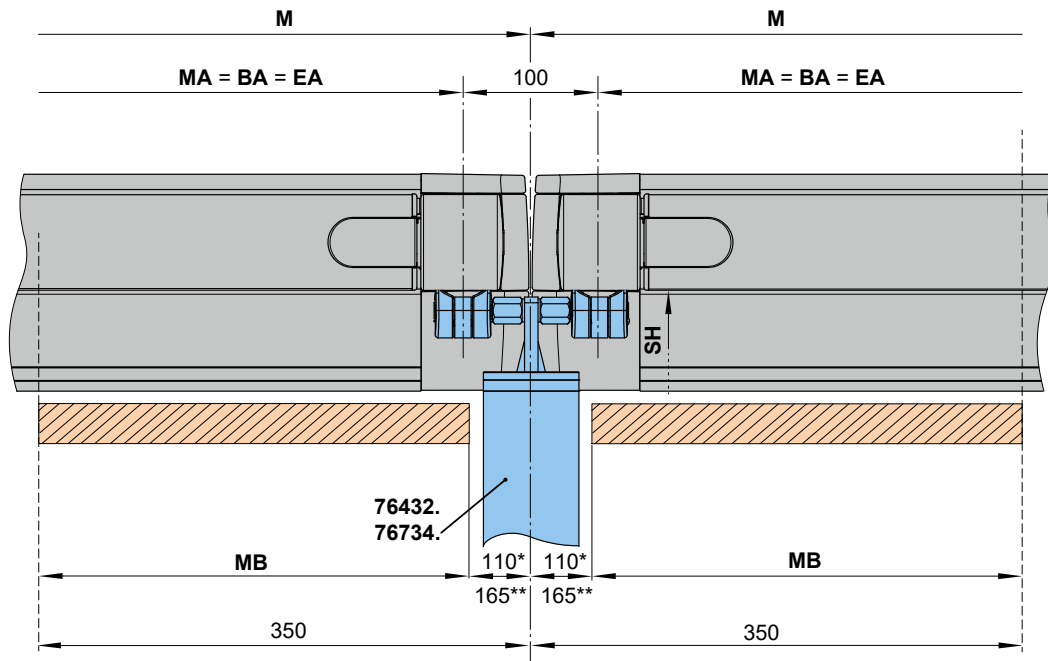


N.B.! In the case of reveal fixture a distance of at least 100 mm must be left free on each side of the awning.

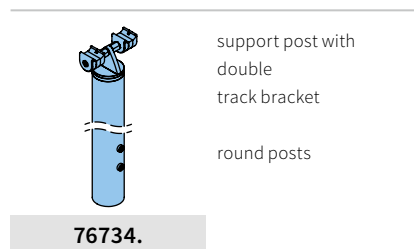
- * = dimensions fixture range
- ** = dimensions fixture range for cable duct in case of lighting
- F3** = concrete foundation. Please refer to the section "Concrete foundations"
- HT** = bracket
- KH** = coupling bracket
- M** = overall awning width = $MA + 10$ cm
- (M)** = operation side, motor drive
- MA** = **order dimension** = awning fixture width = fixture width
- MB** = bracket fixture range

dimensions in mm

Overview of dimensions, double track bracket for single units

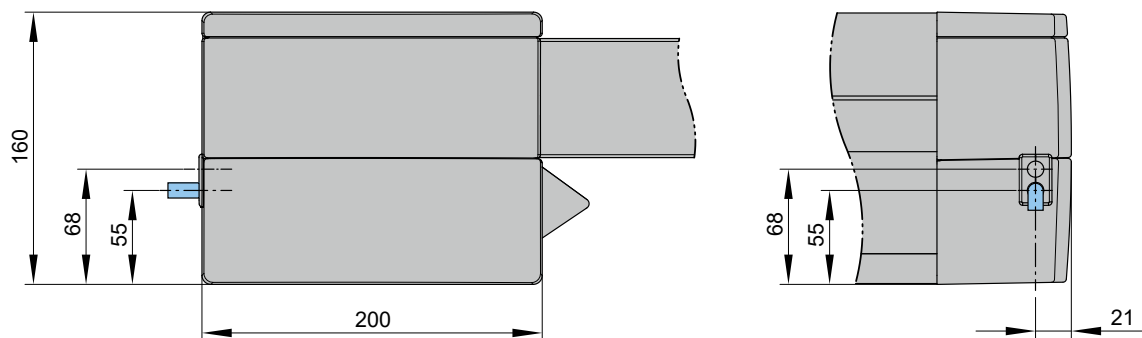


support post with double track bracket
square posts



support post with double track bracket
round posts

Motor cable exit point ¹⁾



1) depending on the operation side, left or right

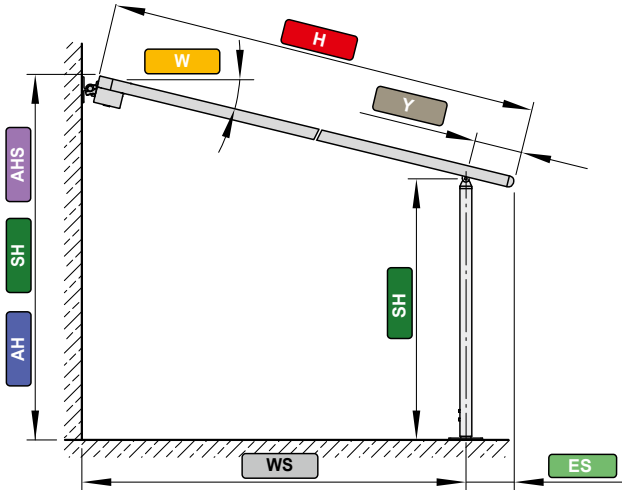
- 76734. = support post round with double track bracket
- 76432. = support post round with double track bracket
- * = dimensions fixture range
- ** = dimensions fixture range for cable duct in case of lighting
- BA = width between fixture points
- EA = single unit
- M = overall awning width = MA + 10 cm
- MA = **order dimension** = awning fixture width = fixture width
- MB = bracket fixture range
- SH = support post height

dimensions in mm

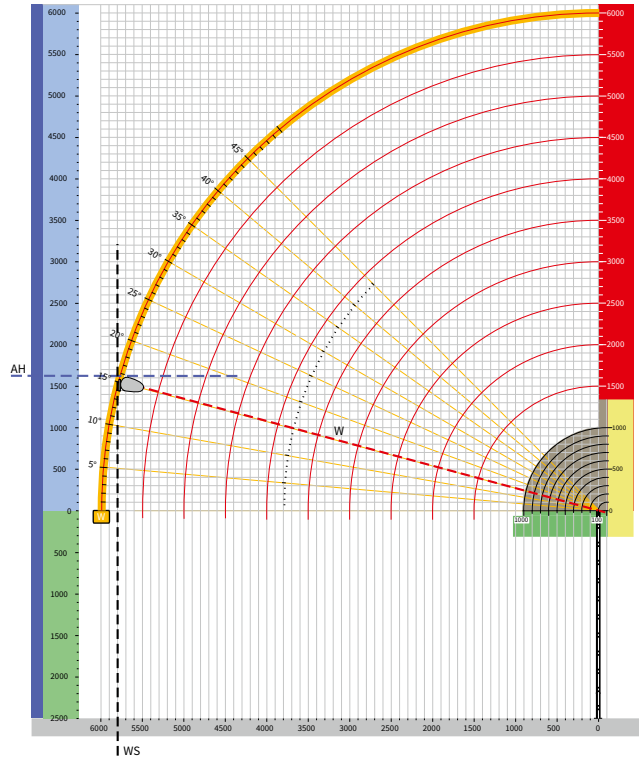
01
02
03
04
05
06
07
08
09
10
11
12
13

01 Calculation of the approximate fixture height, examples

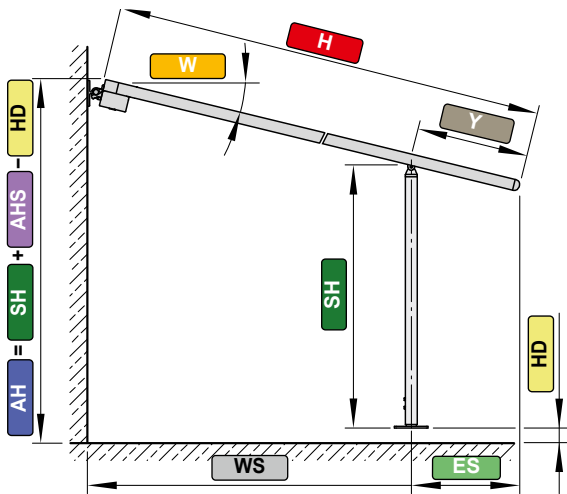
02 Example 1: front support posts pushed as far forward as possible, $Y = 100 \text{ mm}$



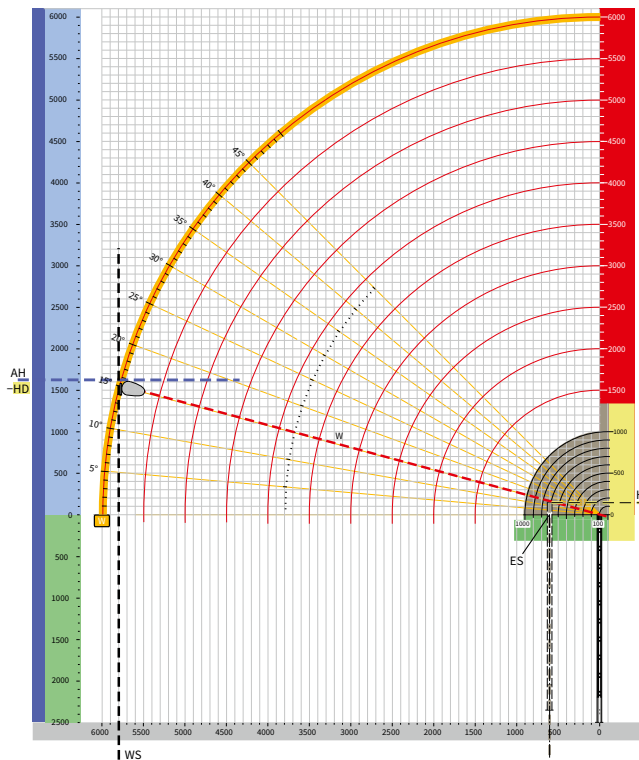
- ES = 100
- W = 15°
- H = 6000
- WS = 5800
- Y = 100
- SH = 2500
- AHS = 1620
- AH = SH + AHS = 2500 + 1620 = 4120



13 Example 2: front support posts pushed back, $100 \text{ mm} \leq Y \leq 1000 \text{ mm}$



- ES = 700
- W = 15°
- H = 6000
- WS = 5200
- Y = 700
- HD = 130
- SH = 2500
- AHS = 1620
- AH = SH + AHS - HD = 2500 + 1620 - 130 = 3990

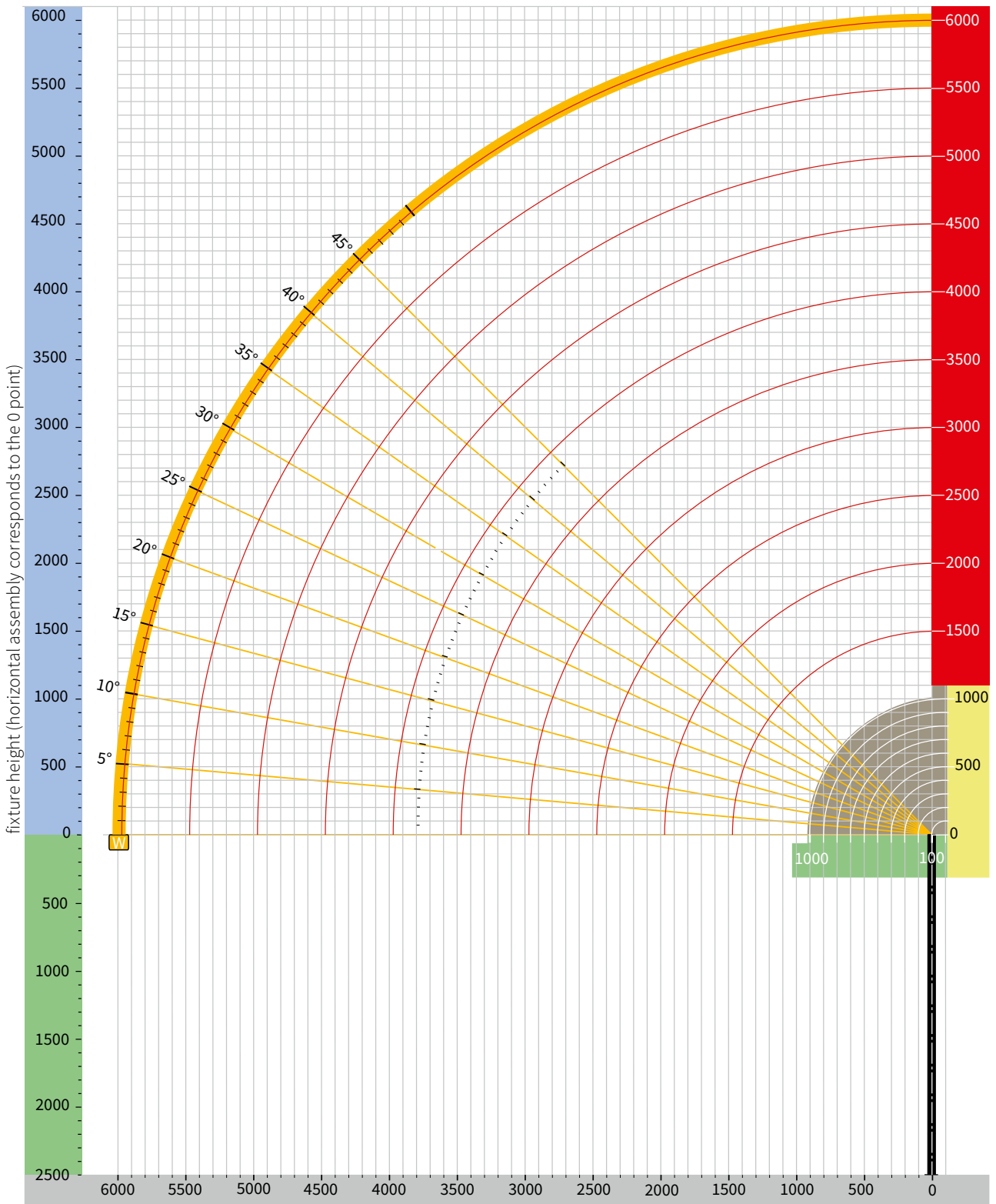


- ES = centre of support post to the \leftrightarrow leading edge of the front profile
- W = pitch
- H = extension
- WS = measurement from the wall \leftrightarrow support post
- Y = distance front support posts can be moved back
- HD = difference from the fixture height
- SH = support post height 2500 mm
- AHS = fixture height from the top edge of the support post
- AH = installation height

dimensions in mm

Calculation of the approximate fixture height

Drawing template



- 01
- 02**
- 03
- 04
- 05
- 06
- 07
- 08
- 09
- 10
- 11
- 12
- 13

N.B! An on-line tool to calculate the installation measurements can be found in the protected area of the website, pro.markilux.com.

dimensions in mm

01

02

03

04

05

06

07

08

09

10

11

12

13