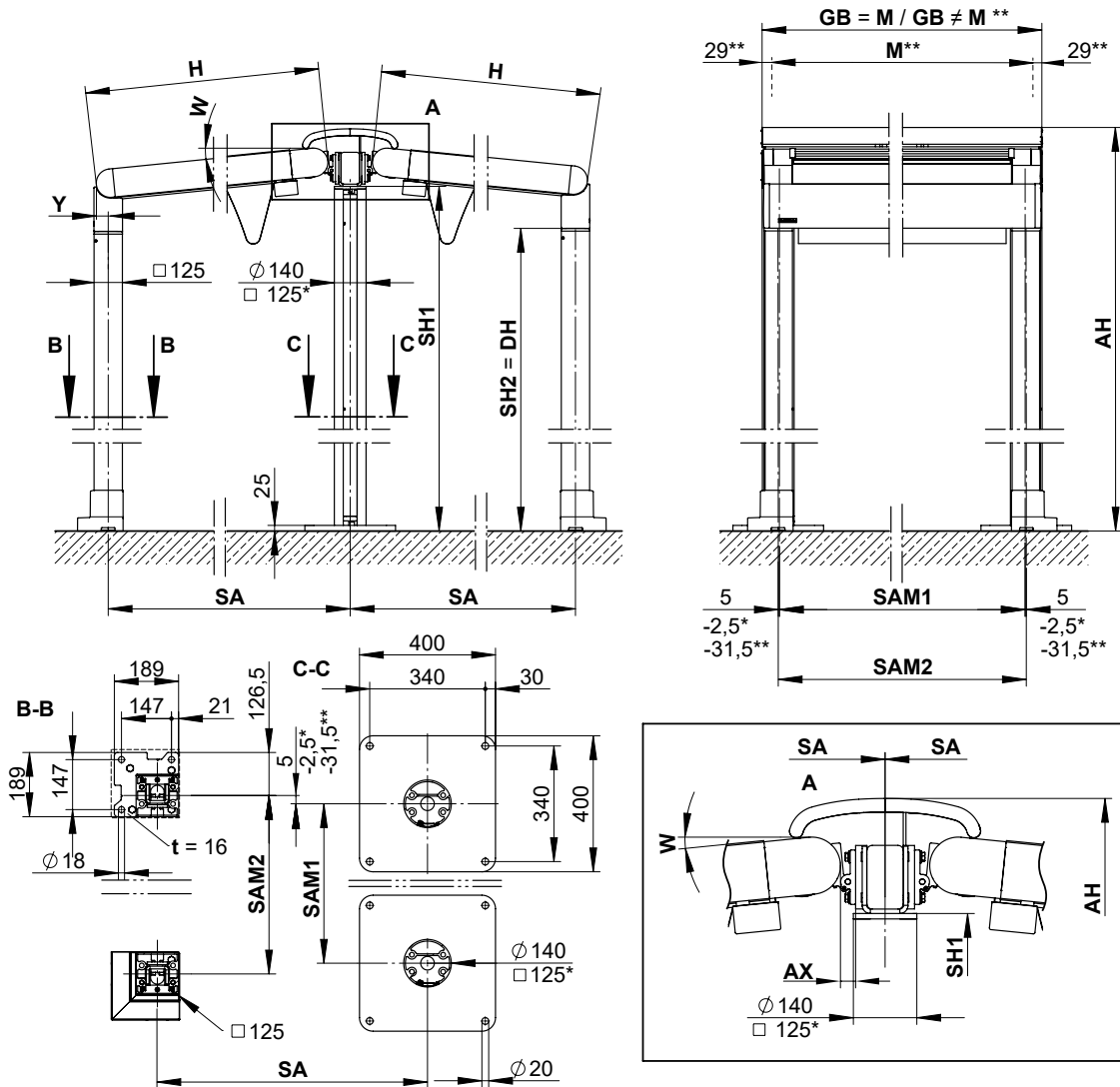


Overview of dimensions

markilux syncra fix with pergola stretch, 1 field



- AH** = unit height
- AX** = calculation value for SA
- DH** = headroom
- GB** = **order dimension** = overall width of the unit = awning width
- H** = extension
- M** = **order dimension** = overall awning width
- SA** = distance post markilux pergola stretch – post markilux syncra
- SAM1** = post separation, centre to centre, of the markilux syncra

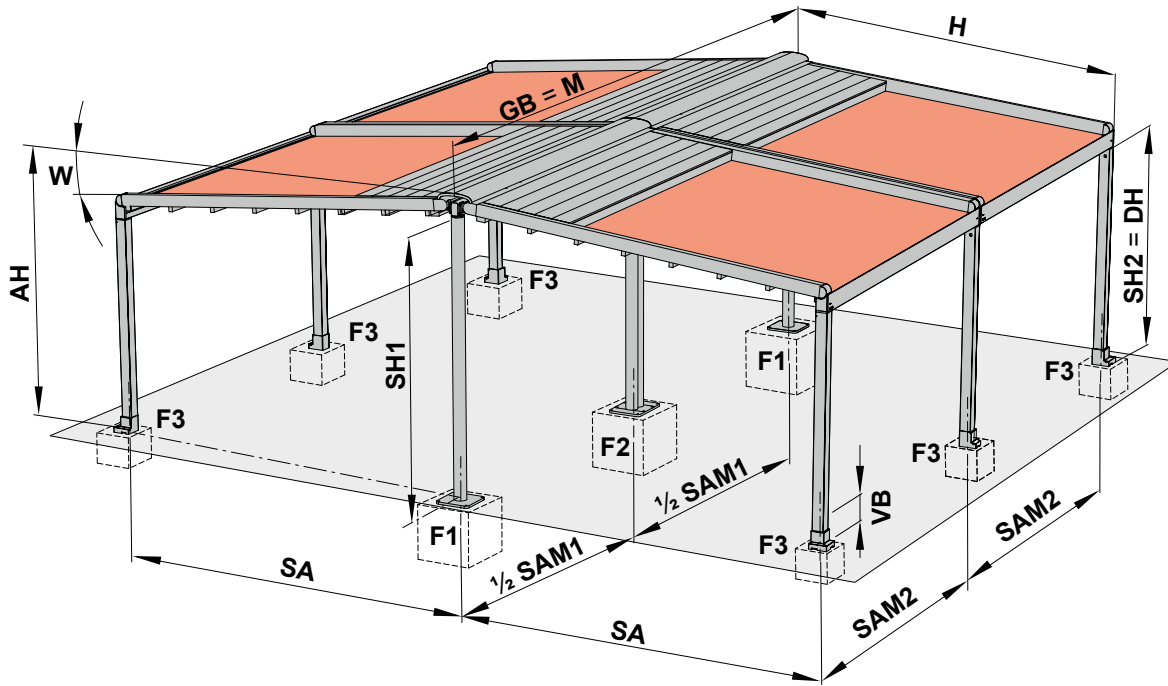
- SAM2** = post separation, centre to centre, of the markilux pergola stretch
- SH1** = post height of the markilux syncra
- SH2** = post height of the markilux pergola stretch
- t** = thickness of the base plate
- W** = awning pitch 5°–25°, factory set at 15°
- Y** = calculation value for SA
- *** = dimensions for a square post
- **** = dimensions only for square posts and pergola stretch with crossbeam and markilux format triangle

dimensions in mm

01
02
03
04
05
06
07
08
09
10
11
12
13

Overview of dimensions

markilux syncra fix with pergola stretch, multi-field unit



$$SA = \cos W \times (H - Y) + AX + 65 \text{ mm}$$

| AH | SH1 | SAM1 | SAM1* | SH2 | 2x SAM2 | 2x SAM2* | W | AX | Y |
|------|------|---------|---------|------|-----------|----------|-----|----|----|
| 3450 | 3200 | M - 140 | M - 125 | 2500 | SAM1 - 10 | SAM1 + 5 | 5° | 34 | 52 |
| | | | | | | | 10° | 37 | 52 |
| | | | | | | | 15° | 41 | 51 |
| | | | | | | | 20° | 44 | 49 |
| | | | | | | | 25° | 47 | 47 |

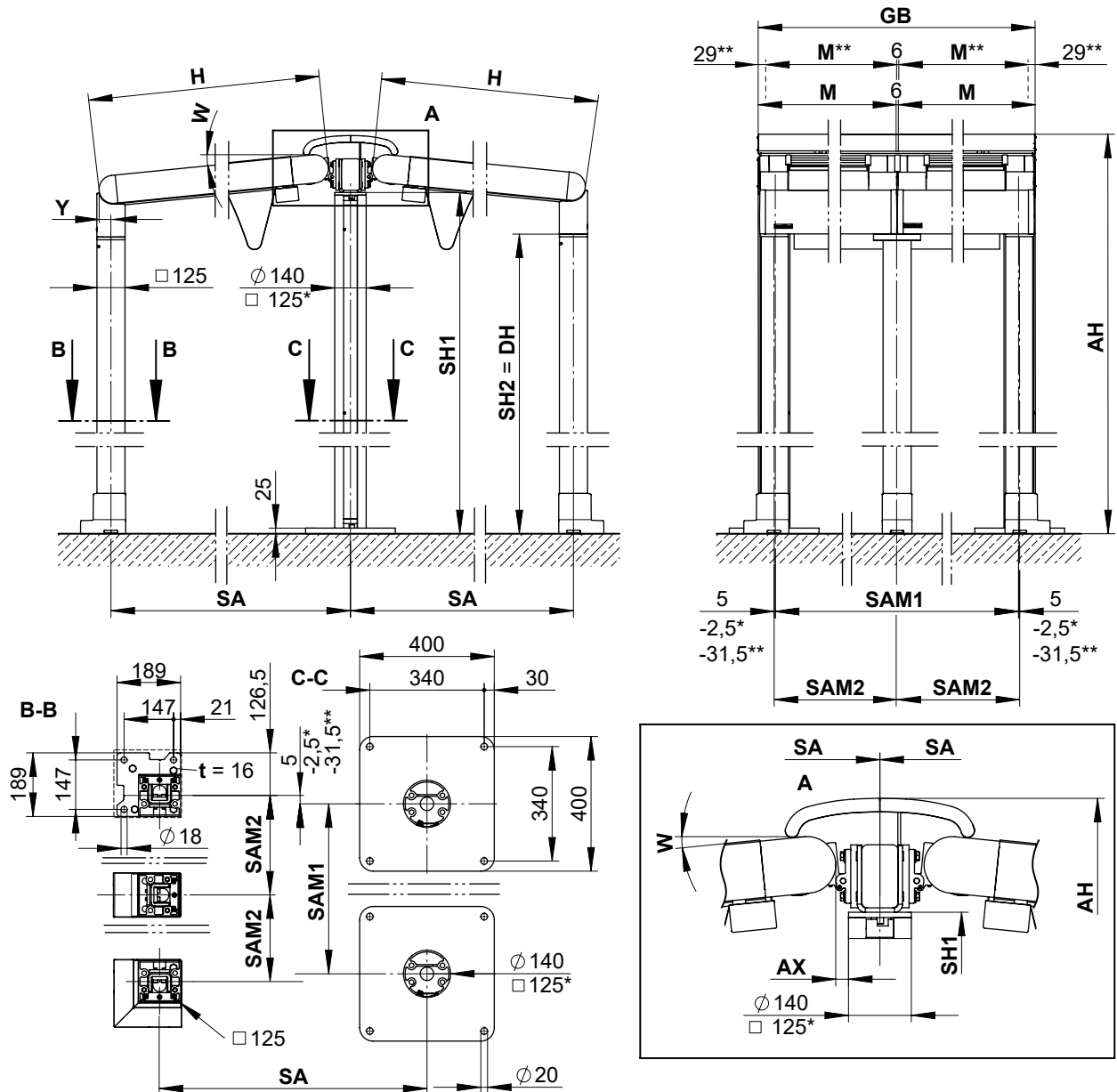
- AH** = unit height
- AX** = calculation value for SA
- DH** = headroom
- F1/F2** = concrete foundation. Please refer to the section "Concrete foundations"
- F3** = concrete foundation
- GB** = **order dimension** = overall width of the unit = awning width
- H** = extension
- M** = **order dimension** = overall awning width
- SA** = distance post markilux pergola stretch - post markilux syncra

- SAM1** = post separation, centre to centre, of the markilux syncra
- SAM2** = post separation, centre to centre, of the markilux pergola stretch
- SH1** = post height of the markilux syncra
- SH2** = post height of the markilux pergola stretch
- t** = thickness of the base plate
- VB** = height adjustment min. 3 mm up to max. 15 mm
- W** = awning pitch 5°-25°, factory set at 15°
- Y** = calculation value for SA
- *** = dimensions for a square post

dimensions in mm

Overview of dimensions

markilux syncra fix with pergola stretch, multi-field unit



- AH = unit height
- AX = calculation value for SA
- DH = headroom
- GB = **order dimension** = overall width of the unit = awning width
- H = extension
- M = **order dimension** = overall awning width
- SA = distance post markilux pergola stretch – post markilux syncra
- SAM1 = post separation, centre to centre, of the markilux syncra

- SAM2 = post separation, centre to centre, of the markilux pergola stretch
- SH1 = post height of the markilux syncra
- SH2 = post height of the markilux pergola stretch
- t = thickness of the base plate
- Y = calculation value for SA
- * = dimensions for a square post
- ** = dimensions only for square posts and pergola stretch with crossbeam and markilux format triangle

dimensions in mm

01
02
03
04
05
06
07
08
09
10
11
12
13

01 **Overview of dimensions**

markilux syncra flex

02 Stabilisation box square post

Stabilisation box round post

03

04

05

06

07

08

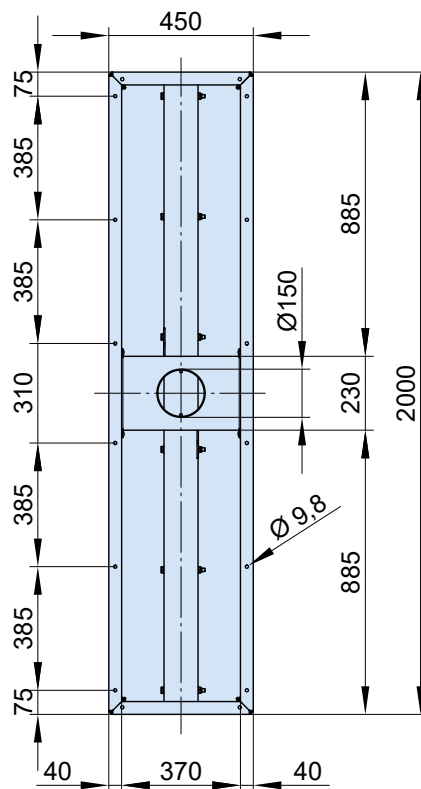
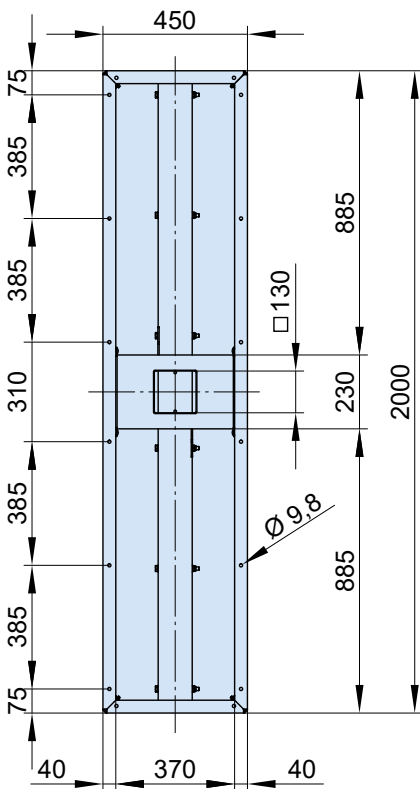
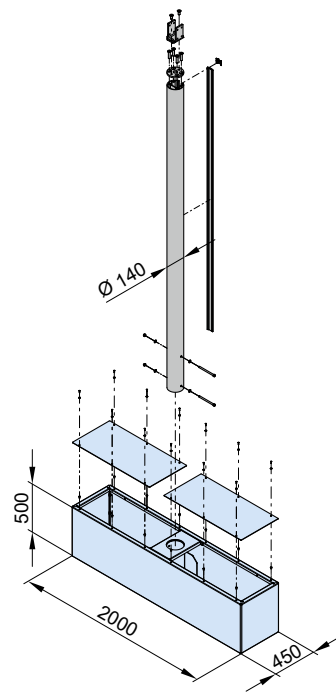
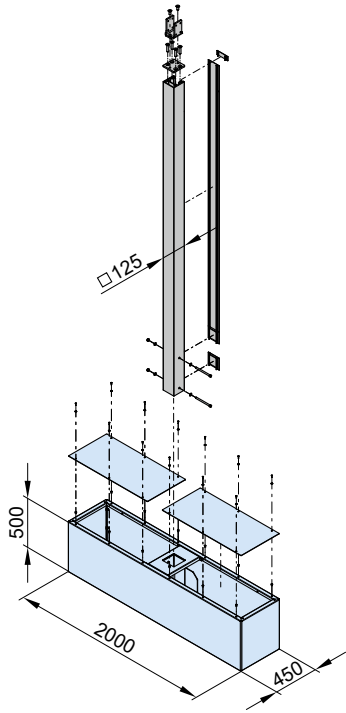
09

10

11

12

13



dimensions in mm