



Underglass awning

markilux 679 tracfix

The square underglass awning for large areas.

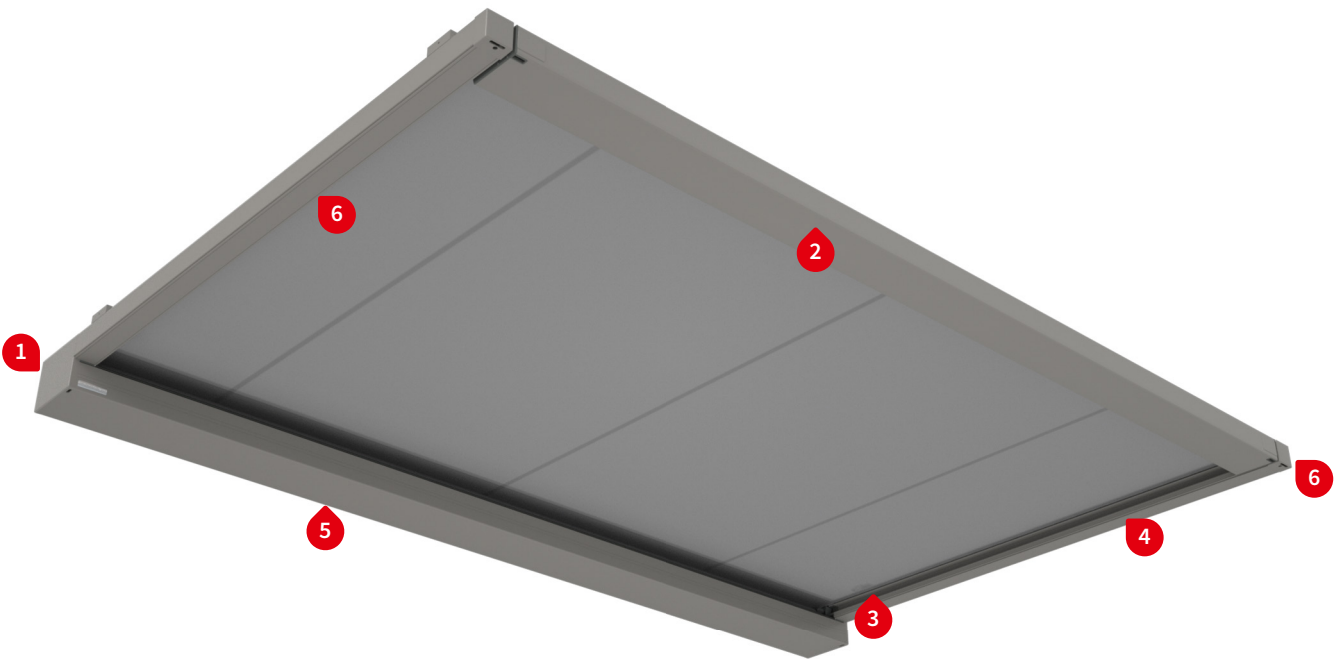


markilux
safe timeless beautiful

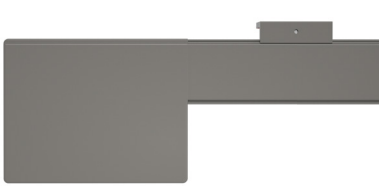
Product characteristics

Wind resistance class 3
Beaufort 6 → 38–48 km/h → 10.5–13.4 m/s → 24–30 mph

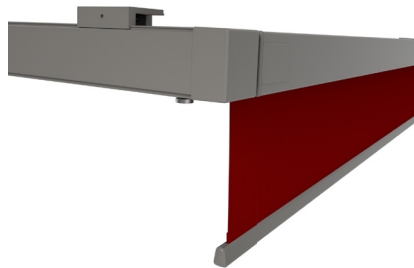
01
02
03
04
05
06
07
08



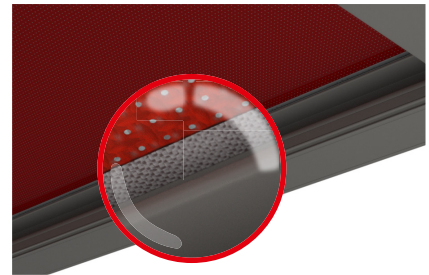
1 side view: motor drive, flat track bracket



2 shadeplus during extension



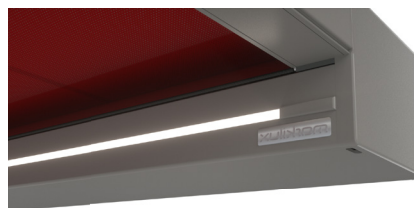
3 tracfix cover guidance – no gap between cover and track¹⁾



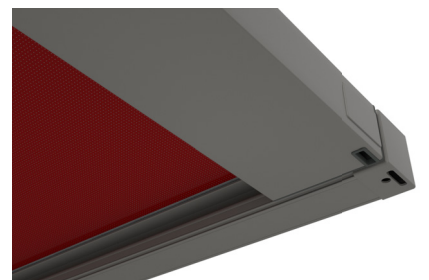
4 LED-Line in the guide track¹⁾



5 LED-Line in the cassette¹⁾



6 harmonious appearance of the front profile and guide tracks



1) Optional accessories

Product characteristics

Description

- Awning system with lateral guide tracks, tracfix cover guidance system and ingenious tensioning system, offers a projection of up to 6 metres and maximum 30 m² shading with one unit

Special features

- fully encompassing cassette that protects the cover perfectly
- tried-and-tested tensioning system with drive belts and integrated gas pistons – delivers optimum cover tension – in any phase of extension
- with tracfix system, the continuous lateral cover guidance system that leaves no gap between the cover and guide tracks
- various lighting combinations available: light strip LED-Line RGB-WW in the cassette, LED-Line RGB-WW in the guide tracks – fully integrated, individual lighting options for a pleasant atmosphere in the evening
- option of shadeplus – integrated vertical protection against the sun and inquisitive glances in the front profile, with manual operation
- systematic angular design with clean lines ensures screwless look with minimum view of technical details

Dimensions

- single unit: 122–600 cm in width, maximum extension 600 cm (depending on the width)
- maximum dimensions width × extension: 500 × 600 cm / 550 × 550 cm / 600 × 500 cm
- intermediate sizes are available

Roller tube and lateral bearings

- round roller tube Ø95 mm with keyway, galvanised steel – excellent stability, ensures near perfect cover performance even at the largest widths
- bearing die-cast aluminium cloth shaft

Awning profiles

- extruded aluminium, in façade quality, powder coated
- cassette profile in two pieces, square, height × depth 160 mm × 205 mm
- guide tracks angular, 70 mm × 72 mm
- front profile angular, 155 mm × 71 mm

End caps

- the cassette end caps made of die-cast aluminium, powder coated
- guide track end caps made of die-cast aluminium, powder coated

Fixture brackets

- extruded aluminium, powder coated
- cassette is self-supporting on guide tracks
- brackets for the guide tracks: flat track brackets, spacer plates, additional angular bracket for lateral face fixture
- standard bracket height: 20 mm
- other accessories are available

01

02

03

04

05

06

07

08

01 **Frame colours**

02 markilux frame colours without surcharge

03 traffic white, RAL 9016



metallic aluminium, RAL 9006



grey brown, similar to RAL 8019

04 05 06 07 off-white textured finish, 5233 ¹⁾stone grey metallic, 5215 ¹⁾anthracite metallic, 5204 ¹⁾

08

havana brown textured finish, 5229 ¹⁾**Non-standard powder-coated finish**

Bespoke frame colours incur a surcharge – matt, metallic, finely textured and pearl finishes as well as other colour ranges (DB, Tiger etc.) on request. All frame colours are available at a surcharge with enhanced corrosion protection.

Colours may differ slightly from those depicted in both hue and finish.

1) textured finish

Dimensions and configuration options

Single unit

		Awning fixture width										Minimum fixture width	
		150	200	250	300	350	400	450	500	550	600	Hard-wired motor	Radio-controlled motor
Order dimensions		122	151	201	251	301	351	401	451	501	551	122	122
		150	200	250	300	350	400	450	500	550	600		
Overall width		+ 7											
H	150												
	200												
	250												
	300												
	350												
	400												
	450												
	500												
	550												
	600												

dimensions in cm

H = projection

- = 2 brackets
- = 3 brackets
- = 3 brackets
1 stainless steel cover support wire

Operation	Standard	optional
crank handle	—	—
hard-wired motor	—	✓
silentec motor (optionally with external radio receiver io / RTS)	—	—
radio-controlled motor io, 868 MHz	✓	—
radio-controlled motor RTS, 433 MHz	—	—

Shadeplus	Standard	optional
height depends on fabric pattern, see table "Shadeplus cover"		
awning fixture width minimum 220 cm – maximum 600 cm		
crank handle	✓	—
hard-wired motor	—	—
radio-controlled motor io, 868 MHz	—	—
radio-controlled motor RTS, 433 MHz	—	—

Coupled awnings

not available

Optional accessories

- shadeplus, manual
- LED-Line RGB-WW in the cassette
- LED-Line RGB-WW in the guide tracks on both sides
- infrared heater 2500 W
- infrared heater 2500 W with integrated radio-controlled receiver 868 MHz io
- automatic controls (light, wind, rain)

For more detailed information, please refer to the chapter "Optional Accessories" in the main catalogue.

01
02
03
04
05
06
07
08

	Awning cover	fabric pattern no.	Standard	optional
01	sunvas	300..-315..	✓	—
02	sunsilk	324.. / 328.. / 369..	✓	—
	sunbow	411..-427..	✓	—
03	smart art	340..	—	✓
	perla FR	371.. / 372..	—	✓
04	perfortex	331.. / 332..	✓	—
	transolair	338..	—	✓
05	transolair (120 cm)	339..	—	✓
	Soltis Perform 92	92-..	—	✓

06

07

08

Shadeplus / drop valance cover ¹⁾	fabric pattern no.	Standard	optional	Awning fixture width	height	tailored cloth
sunvas	309.. / 310.. / 311..	✓	—	≤ 600	230	QN
sunsilk	324..	✓	—	≤ 600	230	QN
sunbow	411.. / 414.. / 421.. / 424..	✓	—	≤ 600	230	QN
transolair	338..	—	✓	≤ 600	230	N
transolair (120 cm)	339..	—	✓	≤ 600	230	QN
vuscreen Alu	317..	—	✓	≤ 600	230	N
Soltis Perform 92	92-..	—	✓	≤ 493	230	QN
glass fibre screen Serge 600	272..	—	✓	≤ 600	230	N
perfortex	331.. / 332..	—	—			
perla FR	371.. / 372..	—	—			

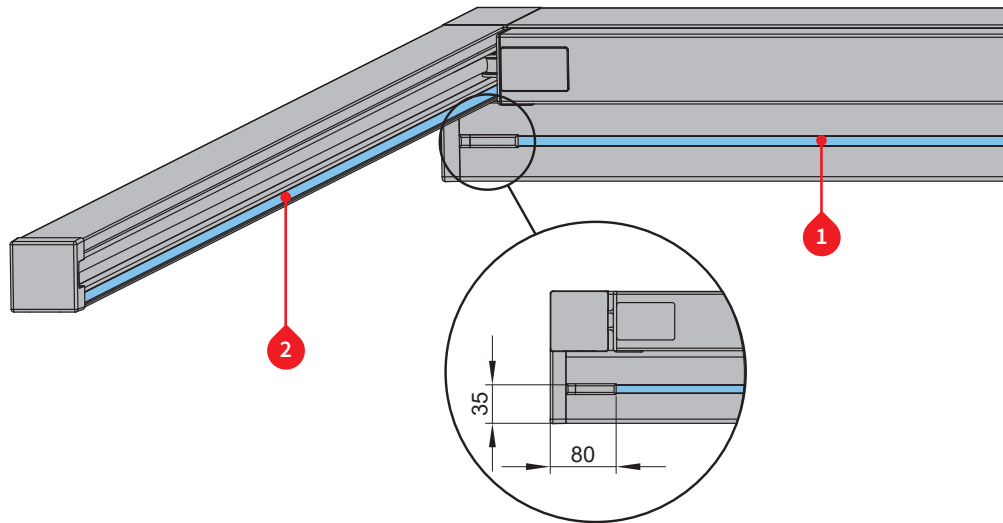
1) Shadeplus cover is narrower than the awning cover

N = Seamless

QN = Horizontal seam(s)

Only available in plain seamless fabrics (oversized, fabric width > 120 cm) or in plains with a horizontal joint (fabric width 120 cm)

Lighting options



01
02
03
04
05
06
07
08

Lighting options

- 1) LED-Line in the cassette ¹⁾
- 2) LED-Line in the guide tracks, on both sides ¹⁾

1) Can be controlled as an individual lighting group

For combination possibilities please view section
"Dimension overview lighting options"

Controls

	standard	optional
radio-controlled io (868 MHz)	—	✓
Zigbee	—	✓

Technical specification

Operating voltage	230 V, 50 Hz
power output per metre	11 W / m
Light source	LED (24 V)
number of LEDs	144 units / m
Number of transformers	1 unit
light temperature	RGB colour light change and warm white
IP protection class	IP 44
Service life	approx. 15.000 h

01 **Fixtures, fittings and accessories**

02

03

04

05

flat track bracket
fixture type 10 and 15

60972.

additional angled
bracket for the
bearing, gearbox and
motor sides
80 × 50 × 80 mm
fixture type 15

78720.

accessories
for two angled brackets
78720.

787211

06

07

08

double track bracket flat
2 single units

62314.

spacer plate
double track bracket
flat
80 × 40 × 15 mm

73742.

bracket for cover sup-
port wire

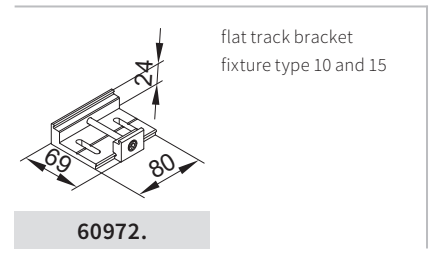
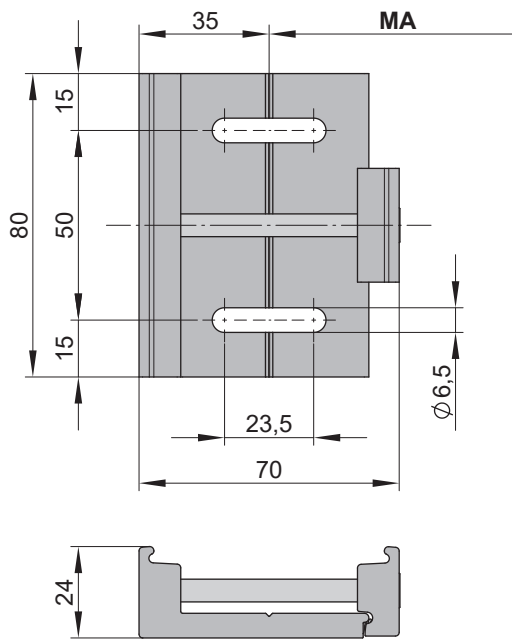
62350.

stainless steel cover
support wire

771401

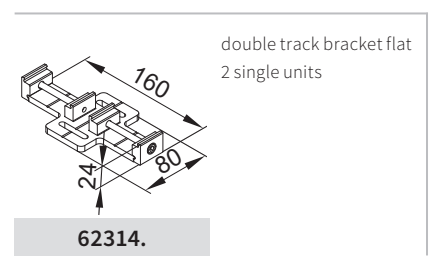
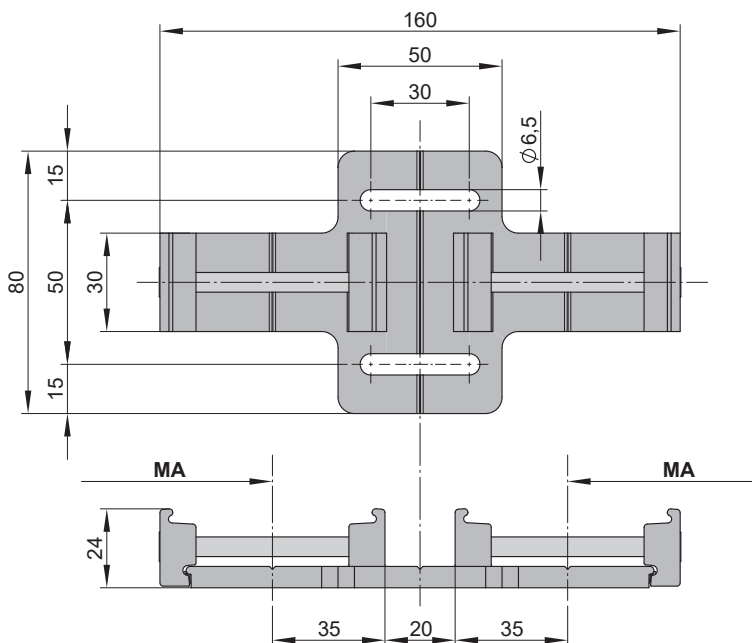
Overview of dimensions

Track bracket



60972.

Double track bracket



62314.

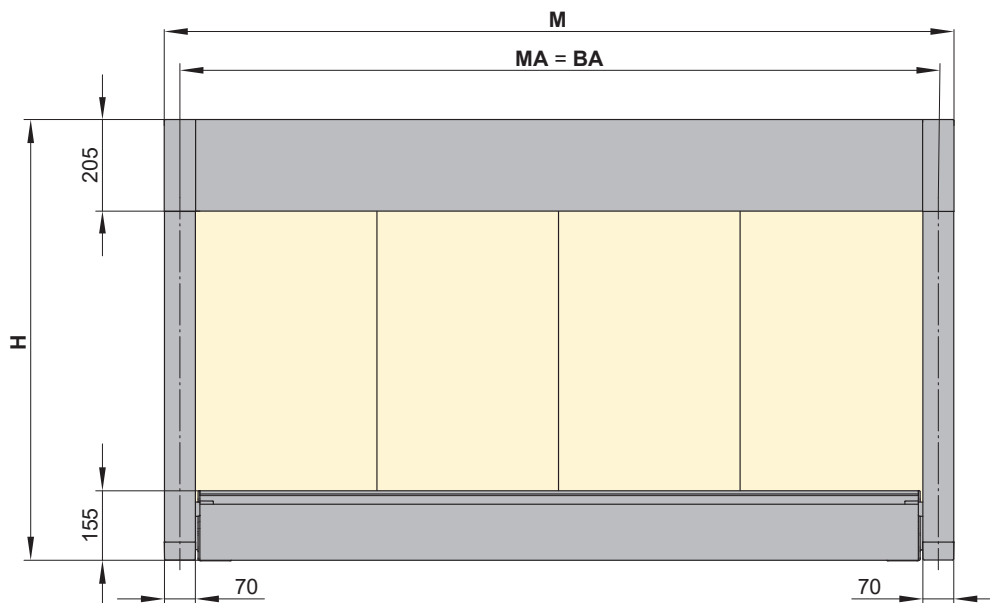
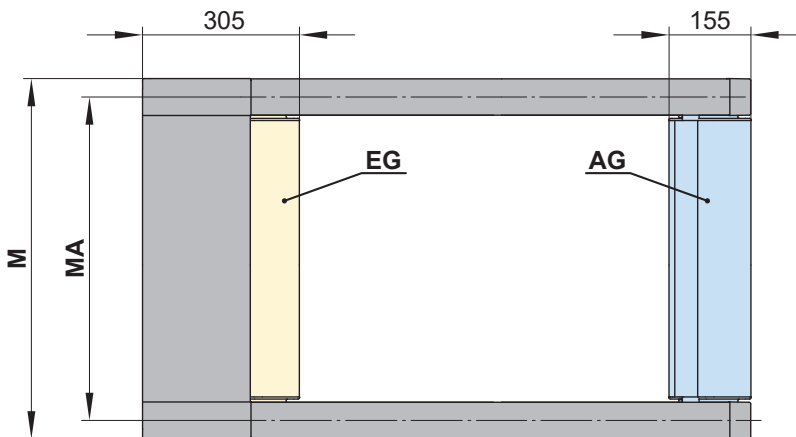
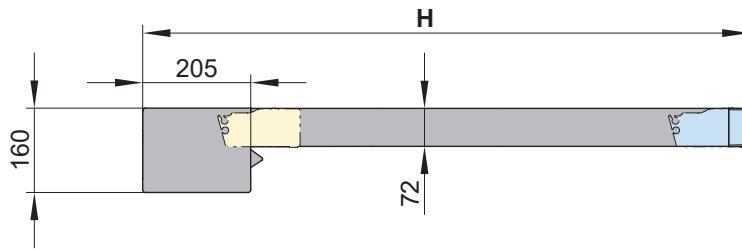
MA = blind fixture width

dimensions in mm

- 01
- 02
- 03
- 04
- 05
- 06
- 07**
- 08

01 Overview of dimensions

02 Single unit

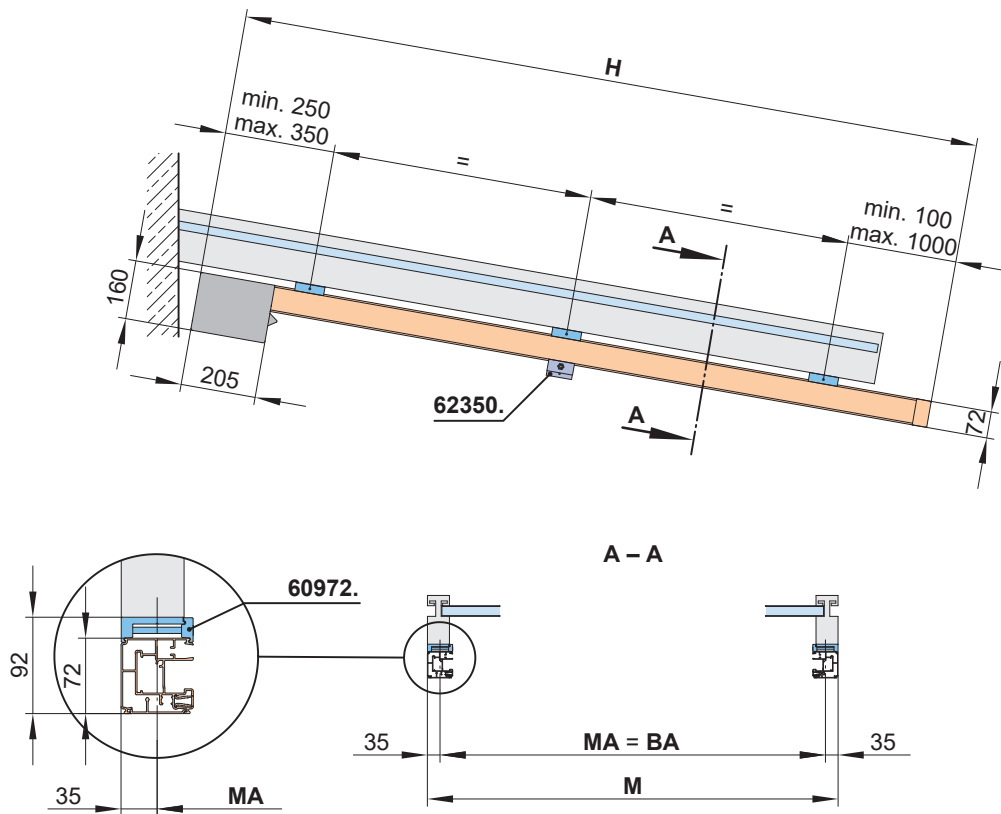


- AG = extended
- BA = width between fixture points
- EG = retracted
- H = projection
- M = overall blind width = MA + 70 mm
- MA = blind fixture width

dimensions in mm

Dimension overview fixture combination 10

01
02
03
04
05
06
07
08



- 60972.** = flat track bracket
- 62350.** = bracket for cover support wire (depending on its size, included in the delivery)
- BA** = width between fixture points
- H** = projection
- M** = awning width
- MA** = blind fixture width

dimensions in mm

01 Dimension overview fixture combination 15

02

03

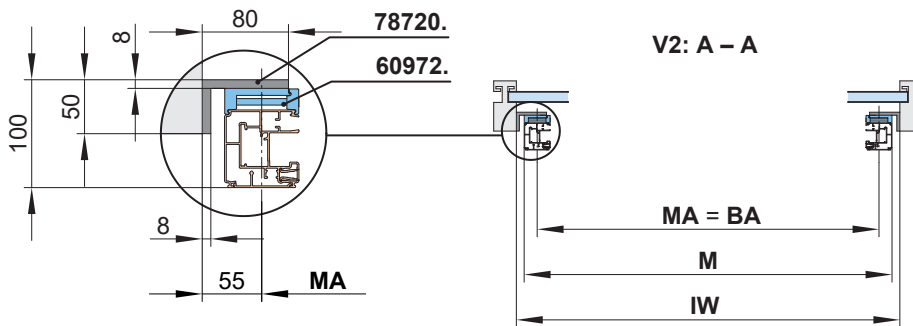
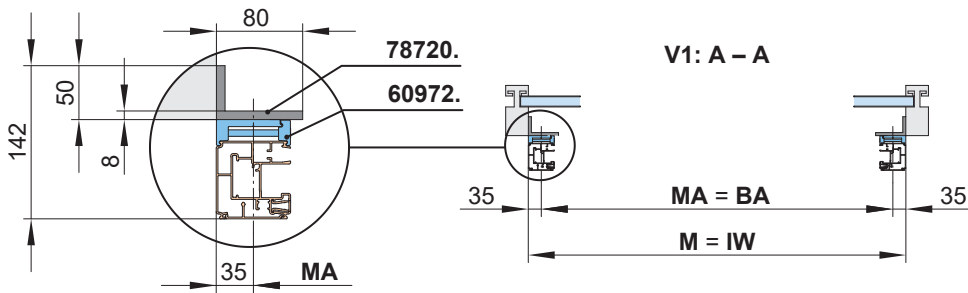
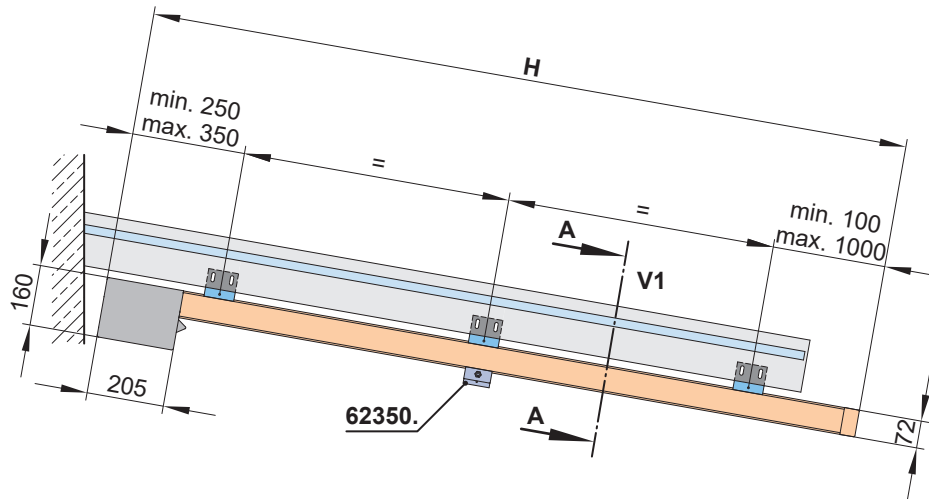
04

05

06

07

08

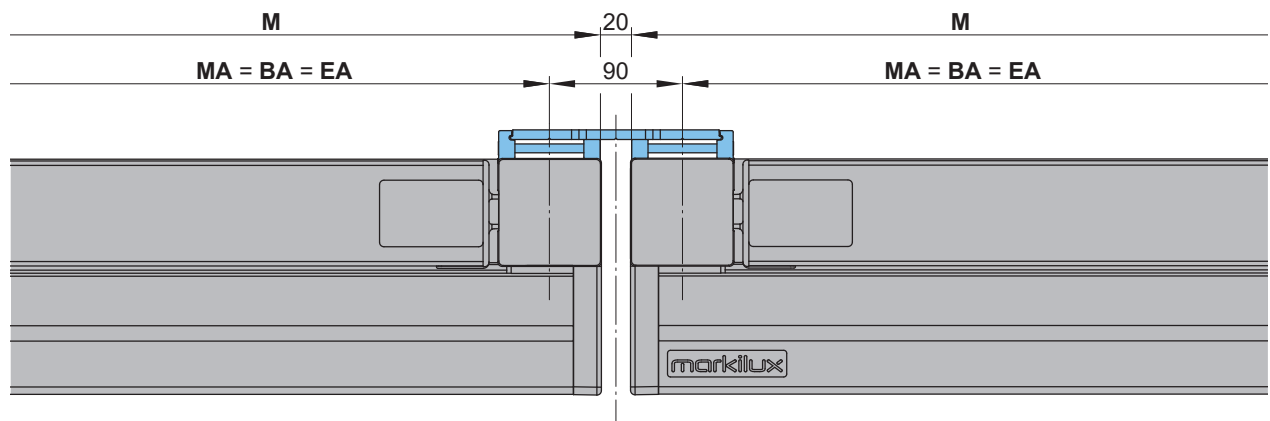


- 60972. = flat track bracket
- 62350. = bracket for cover support wire (depending on its size, included in the delivery)
- 78720. = additional angled bracket
- BA = width between fixture points
- H = projection
- IW = interior conservatory dimension
- M = awning width
- MA = blind fixture width
- V1, V2 = variants

dimensions in mm

Overview of dimensions

Two single units – fixture via double track brackets



01
02
03
04
05
06
07
08

- BA** = width between fixture points
- EA** = single unit
- M** = overall awning width = $MA + 70$ mm
- MA** = blind fixture width

dimensions in mm

01 **Dimension overview, shadeplus**

02 Magnetic gearbox operation

03

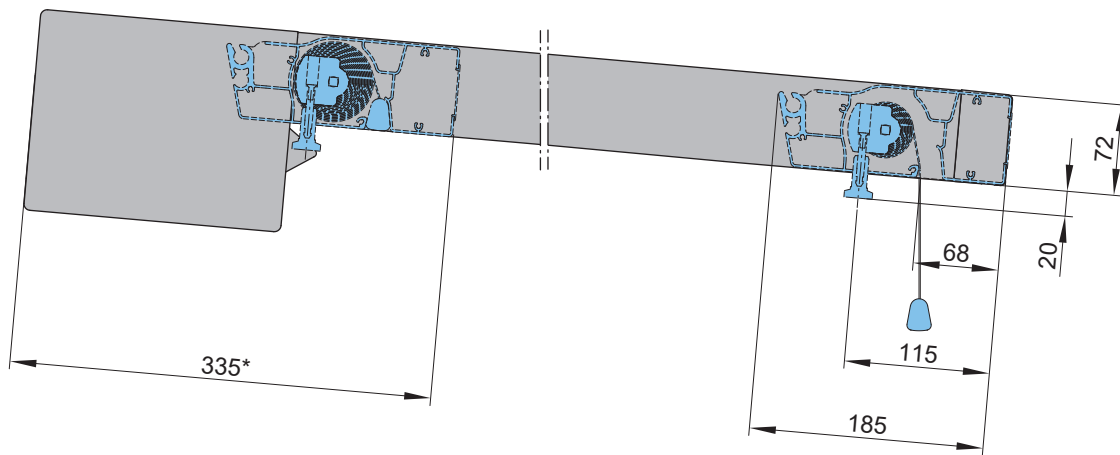
04

05

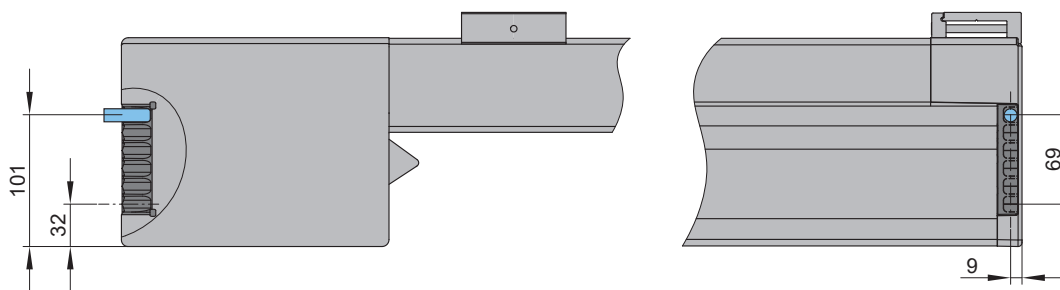
06

07

08



Motor cable exit point ¹⁾



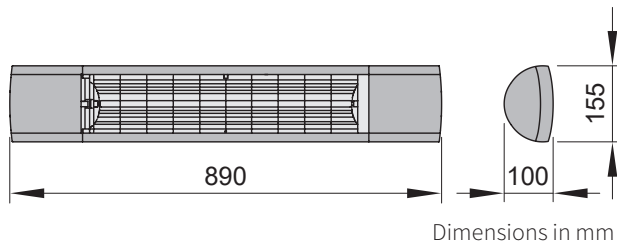
1) depending on the operation side, left or right

* = extension when retracted

dimensions in mm

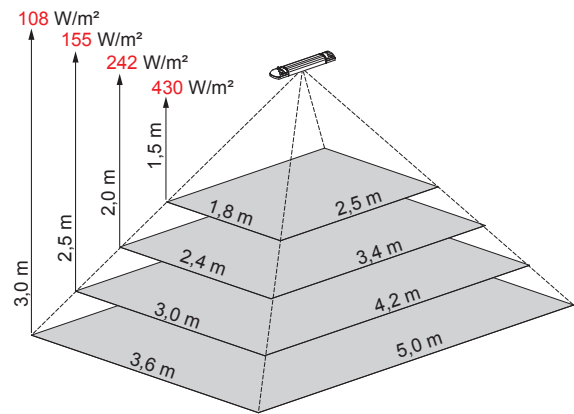
Technical details infrared heater

Overview of dimensions



Technical specification

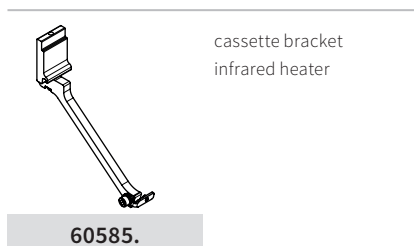
power supply	230 V, 50 Hz, 16 A
power supply wire cross section	H05SS-F2G 3 × 1,5 mm ²
power output (per heater)	2500 Watt
length × depth × height	890 × 100 × 155 mm



Core radiation zone (50 % of the central radiation intensity)

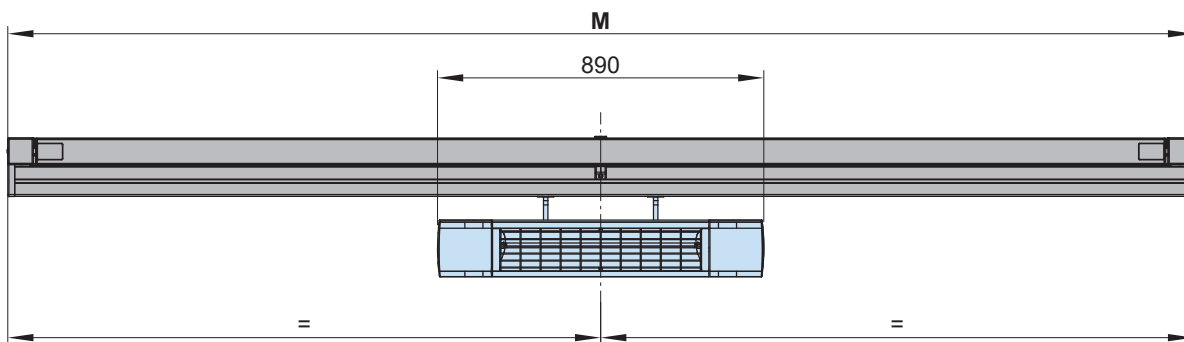
Special features

- soft start function with reduced initial current surge
- cooling fins on the back prevent excessive heating of the mounting surface
- the asymmetrical reflector gives optimum heat distribution
- infrared halogen lamp with “Ultra Low Glare” heating tube technology and pleasant colour temperature
- minimum installation height 1.8 m
- minimum distance to any irradiated object 1 m



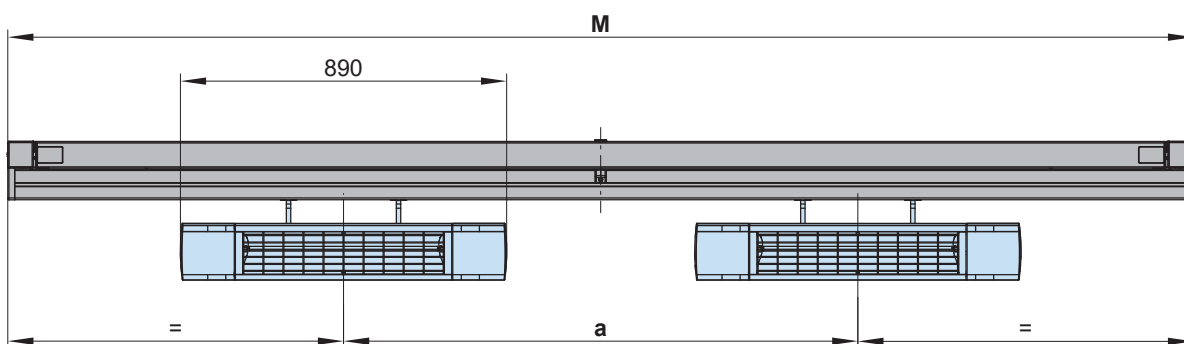
01 **Overview of dimensions, infrared heater**

02 One infrared heater attached to the cassette



07

08 Two infrared heaters attached to the cassette



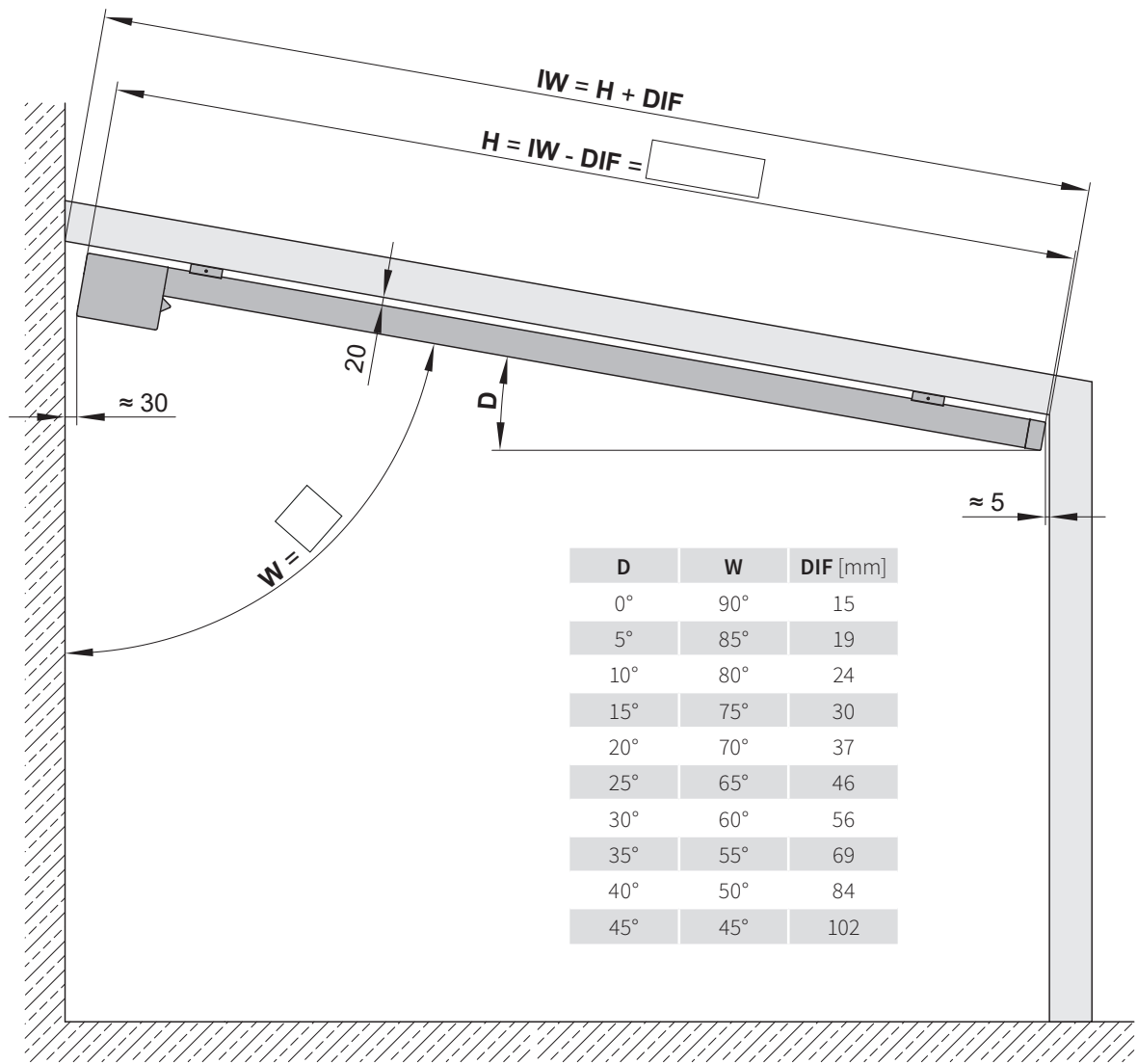
Awning width (M)	301	351	401	451	501	551
	-	-	-	-	-	-
	350	400	450	500	550	600
a in the case of two heaters	150	175	200	225	250	275

dimensions in cm

a = infrared heater separation
M = awning width

dimensions in mm

Dimensions for taking measurements



01
02
03
04
05
06
07
08

Orders are to be submitted with all the dimensions shown in the diagram!

- D** = roof pitch (in °)
- DIF** = difference interior conservatory measurement to extension H
- H** = **order dimension** = nominal extension = $IW - DIF$ (see table)
- IW** = interior conservatory dimension
- W** = awning pitch (in °)

dimensions in mm

01

02

03

04

05

06

07

08